



**21in Mulching/Rear Bagging
Lawn Mower**

Model No. 10736—Serial No. 314000001 and Up

Parts Catalog



Ordering Replacement Parts

To order replacement parts, please supply the part number, the quantity, and the description of each part desired.

Understanding Reference Numbers

Each identified part in an illustration has a reference number. The reference number for a part also appears in the parts list, along with other information about the part.

This catalog uses two special reference number formats, one to indicate parts in a service assembly and another to indicate the quantity of a given part in an illustration.

Service Assembly Reference Numbers

Parts in service assemblies have reference numbers in the form a:b. The a represents the reference number of the entire service assembly and the b represents a sequential number unique to each part within the service assembly.

For example, a wheel assembly might be identified by reference number 6, the tire by 6:1, the valve by 6:2, and the wheel by 6:3. When you order the assembly identified by reference number 6, you receive all parts identified by reference numbers 6:1, 6:2, and 6:3. However, you may also order any part individually. Reference numbers of this type appear in illustration and in parts lists.

Reference Numbers Indicating Quantity

In an illustration, if a reference number indicates more than one part, the reference number has the form nX y. The n represents the quantity of the part, the X is the multiplication symbol, and the y represents the reference number.

For example, in an illustration, the reference number 2X 37 means that two of the parts identified by reference number 37 are indicated.

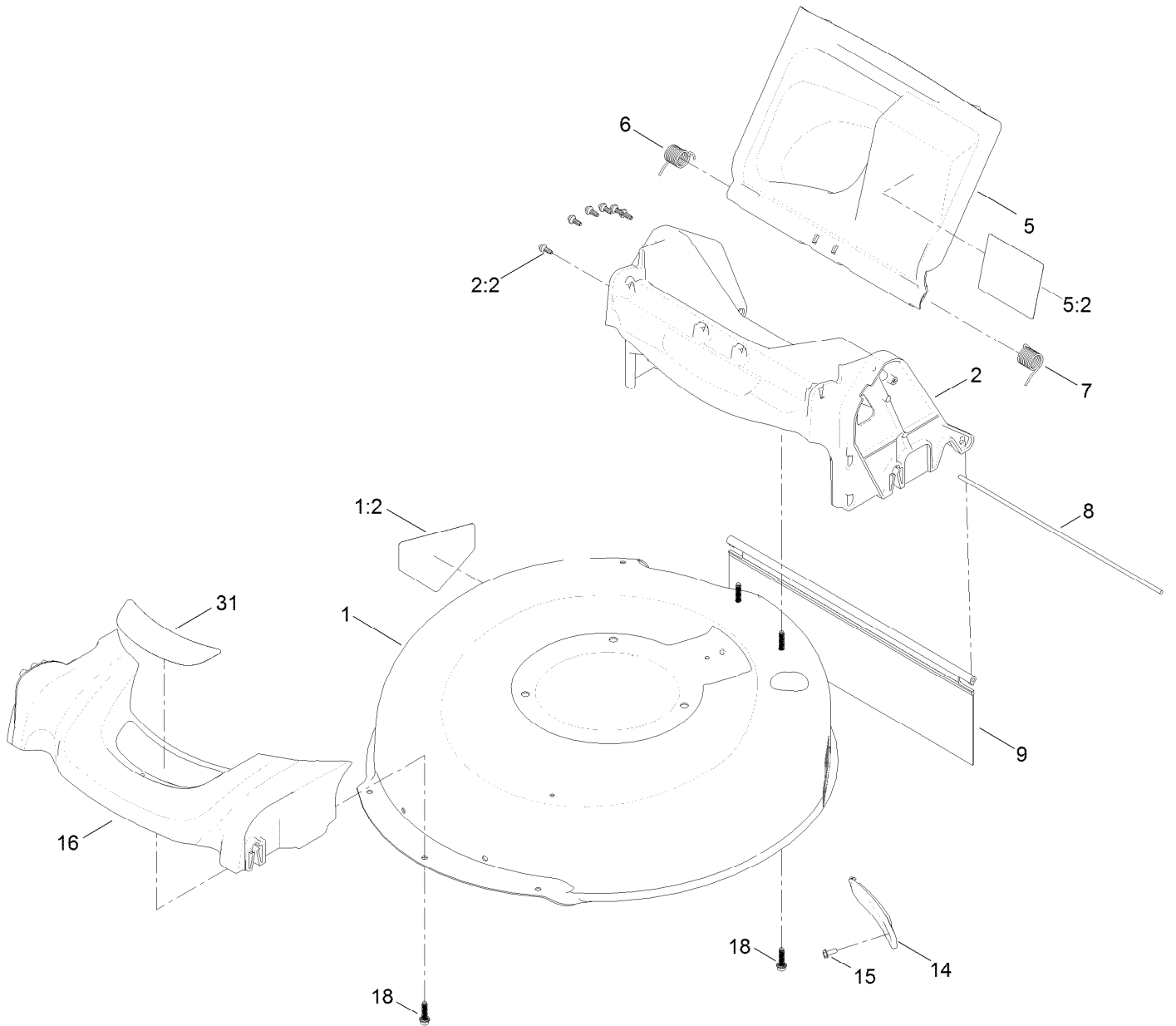
List of Abbreviations

AR: as required	HLH: hex lag head	PTO: power-take-off
ASM: assembly	HOC: height-of-cut	RH: right hand
BBC: blade brake control	HSBH: hex socket button head	ROPS: roll-over protection system
BHTF: button head thread forming	HSFH: hex socket flat head	RRB: rear roller brush
CARR: carriage	HSH: hex socket head	SFH: slotted fillister head
CCW: counter clockwise	HWH: hex washer head	SHH: slotted hex head
CW: clockwise	HWHTF: hex washer head thread forming	SHWH: slotted hex washer head
DEG: degrees	HYD: hydraulic	SPH: slotted pan head
DPA: Dual Point Adjustment	LH: left hand	SQH: square head
ECM: electronic control module	LP: Liquefied Petroleum Gas	SRH: slotted round head
EXT: external	LPG: Liquefied Petroleum Gas	STD: standard
FH: flat head	NI: nylon insert	TAP: self tapping
GA: gauge	NPTF: national pipe thread fine	TTH: torx truss head
HD: heavy-duty	PFH: phillips flat head	
HF: hex flange	PPH: phillips pan head	
HH: hex head	PPHTF: phillips pan head thread forming	
HHF: hex head flange	PRH: phillips round head	
HHFTF: hex head flange thread forming	PTH: phillips truss head	
HJ: hex jam		

Contents

Chute and Rear Door Assembly	4
Rear Bag Assembly	6
Engine and Blade Assembly	8
Front Wheel Assembly	10
Rear Wheel Assembly	12
Handle Assembly	14
Attachments and Accessories	16

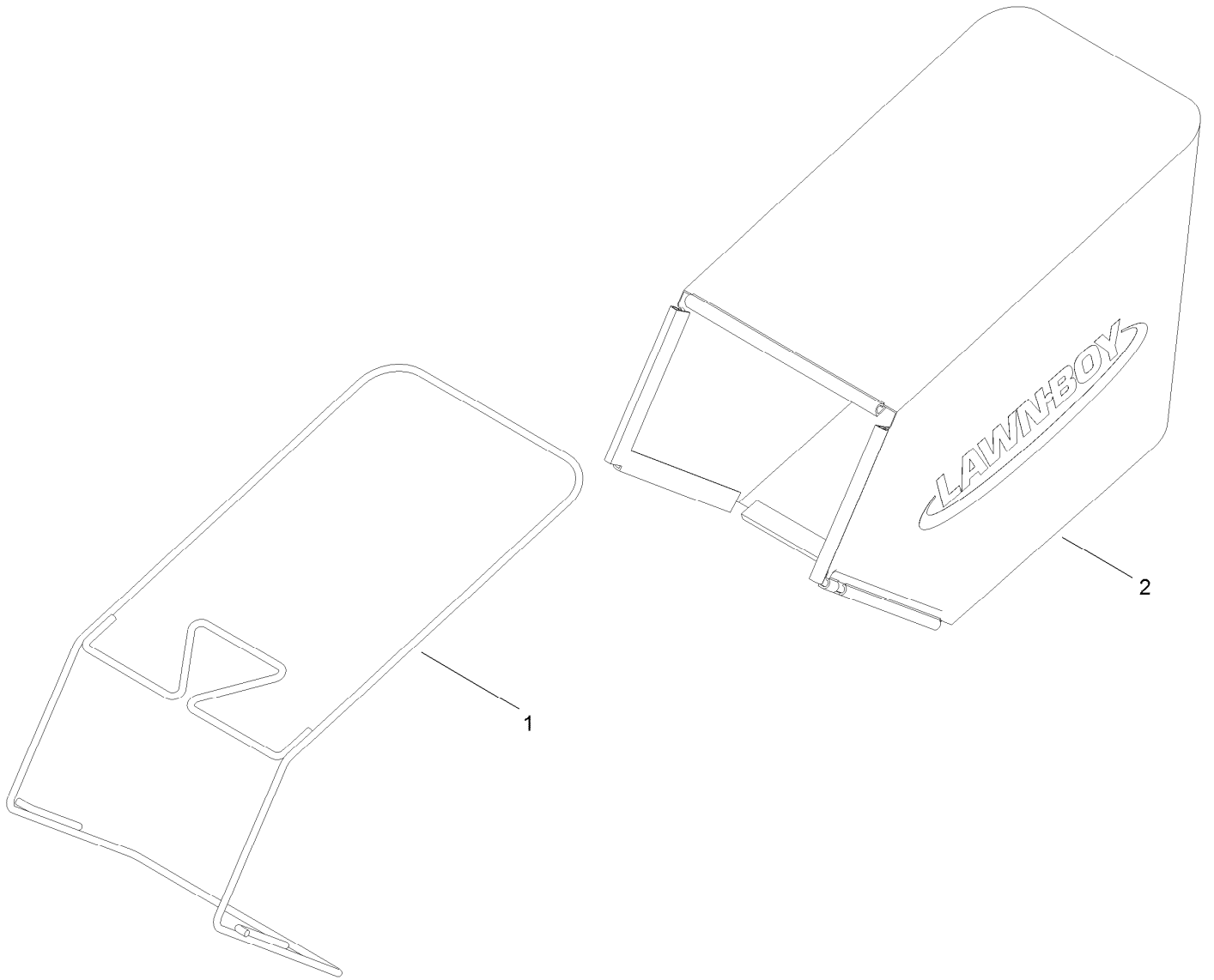
Chute and Rear Door Assembly



Chute and Rear Door Assembly (continued)

<i>Ref.</i>	<i>Part Number</i>	<i>Qty.</i>	<i>Description</i>	<i>Ref.</i>	<i>Part Number</i>	<i>Qty.</i>	<i>Description</i>
1	130-6666	1	Housing ASM	8	127-0698	1	Rod-Door
1:2	94-8072	1	Decal-Danger	9	127-0724	1	Shield-Trailing
2	130-6657	1	Chute ASM	14	127-6803	1	Cover-Belt,Hp
2:2	130-2355	6	Stud	15	32144-1	1	Screw-Taptite
5	130-2368	1	Rear Deflector ASM	16	127-0677	1	Bumper
5:2	117-4143	1	Decal-Warning	18	130-6658	9	Screw-Flange, Serrated
6	127-6807	1	Spring-Torsion	31	127-6829	1	Decal-Deck
7	127-6808	1	Spring-Torsion				

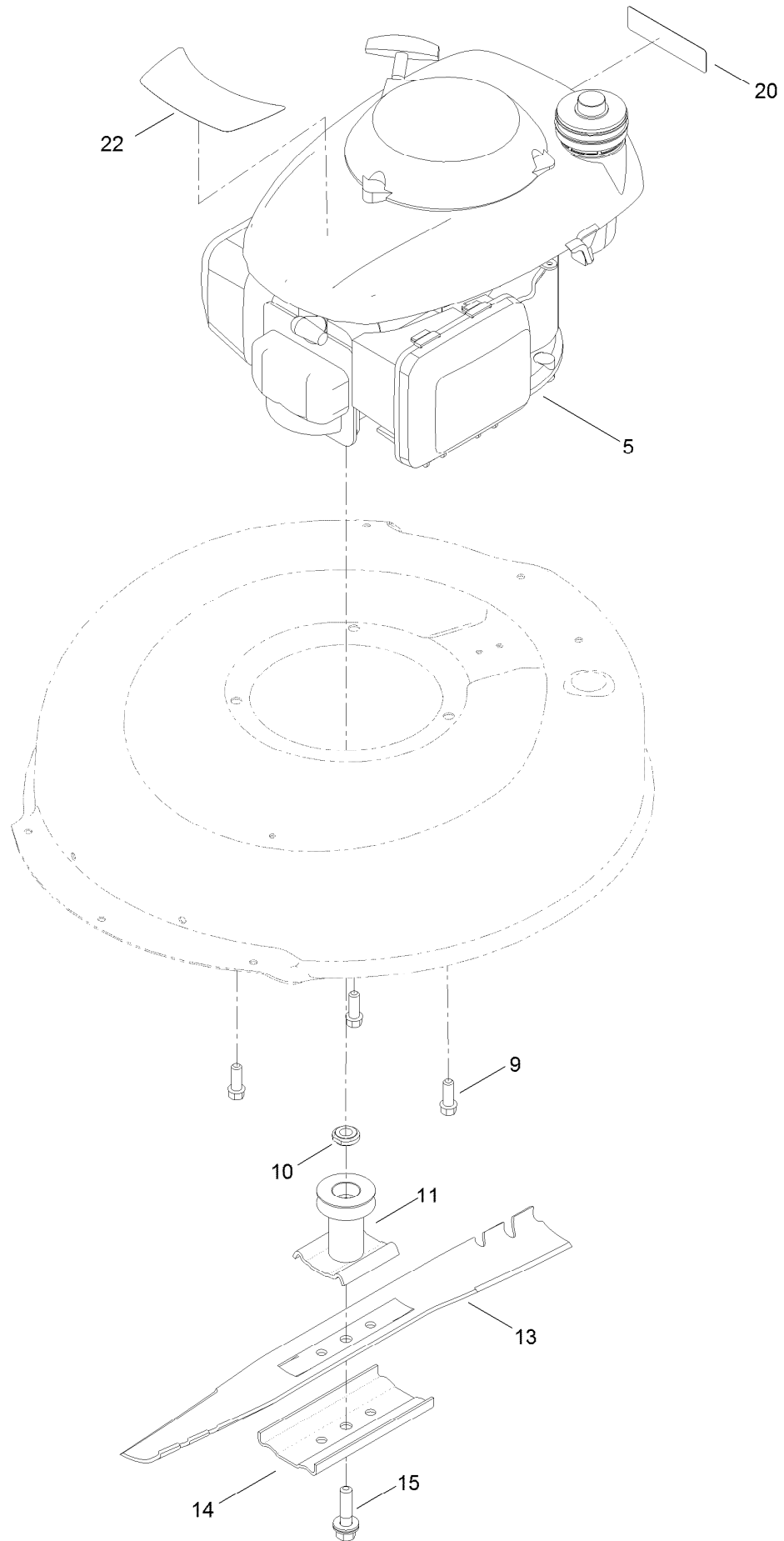
Rear Bag Assembly



Rear Bag Assembly (continued)

<i>Ref.</i>	<i>Part Number</i>	<i>Qty.</i>	<i>Description</i>
1	127-0702-03	1	Frame-Bag
2	127-0701	1	Grass Bag ASM

Engine and Blade Assembly



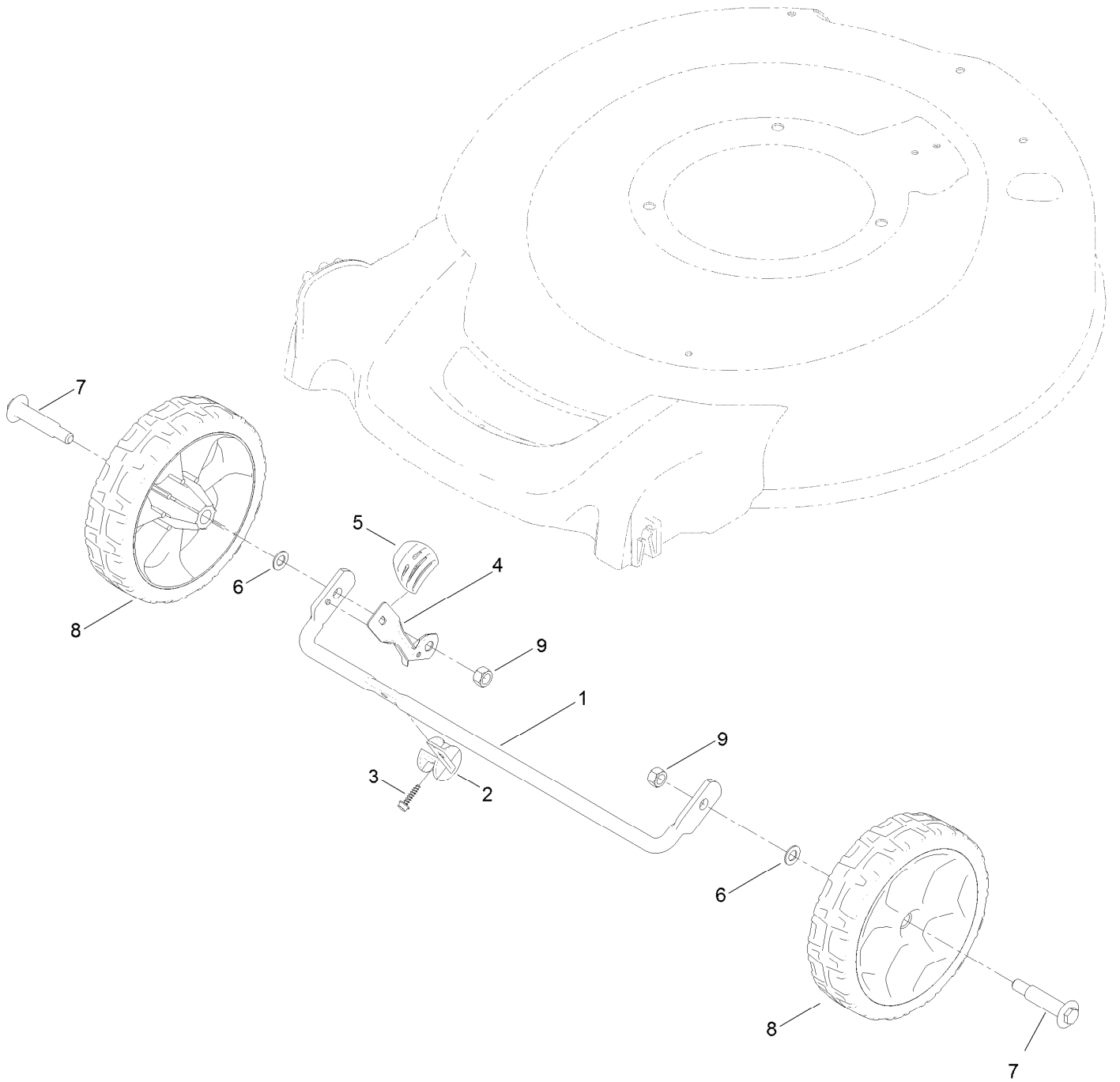
Engine and Blade Assembly (continued)

<i>Ref.</i>	<i>Part Number</i>	<i>Qty.</i>	<i>Description</i>	<i>Ref.</i>	<i>Part Number</i>	<i>Qty.</i>	<i>Description</i>
5		1	Engine-Honda Gcv160 ●■	14	108-3766-03	1	Support-Blade
9	95-1726	3	Screw-Taptite	15	117-5270	1	Bolt-Blade
10	106-3999	1	Spacer-Driver	20	117-2718	1	Decal-Arrester, Spark
11	114-2774	1	Driver-Blade	22	130-2365	1	Decal-Shroud
13	108-0954-03	1	Blade-21 Inch				

● Not serviced separately

■ Obtain parts from www.honda-engines.com

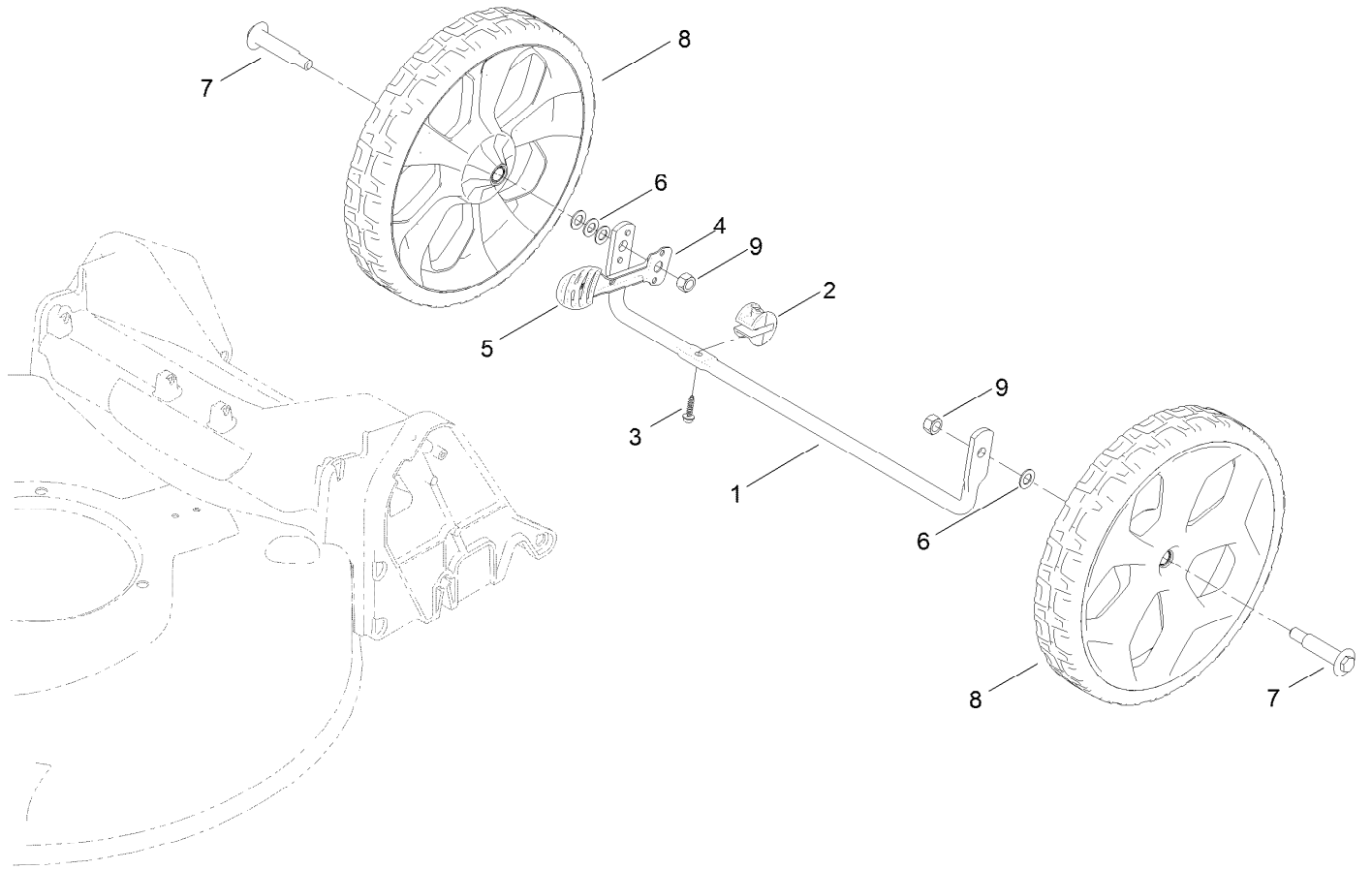
Front Wheel Assembly



Front Wheel Assembly (continued)

<i>Ref.</i>	<i>Part Number</i>	<i>Qty.</i>	<i>Description</i>	<i>Ref.</i>	<i>Part Number</i>	<i>Qty.</i>	<i>Description</i>
1	127-0668-03	1	Axle-Front	6	40-1940	2	Washer
2	127-6800	1	Stop-Axle	7	92-1057	2	Bolt-Shoulder
3	127-6831	1	Screw-HWH	8	127-0683	2	7 Inch Wheel ASM
4	127-0693	1	Arm-Spring	9	125-5069	2	Nut-Hex
5	105-3042	1	Knob-Lever, HOC				

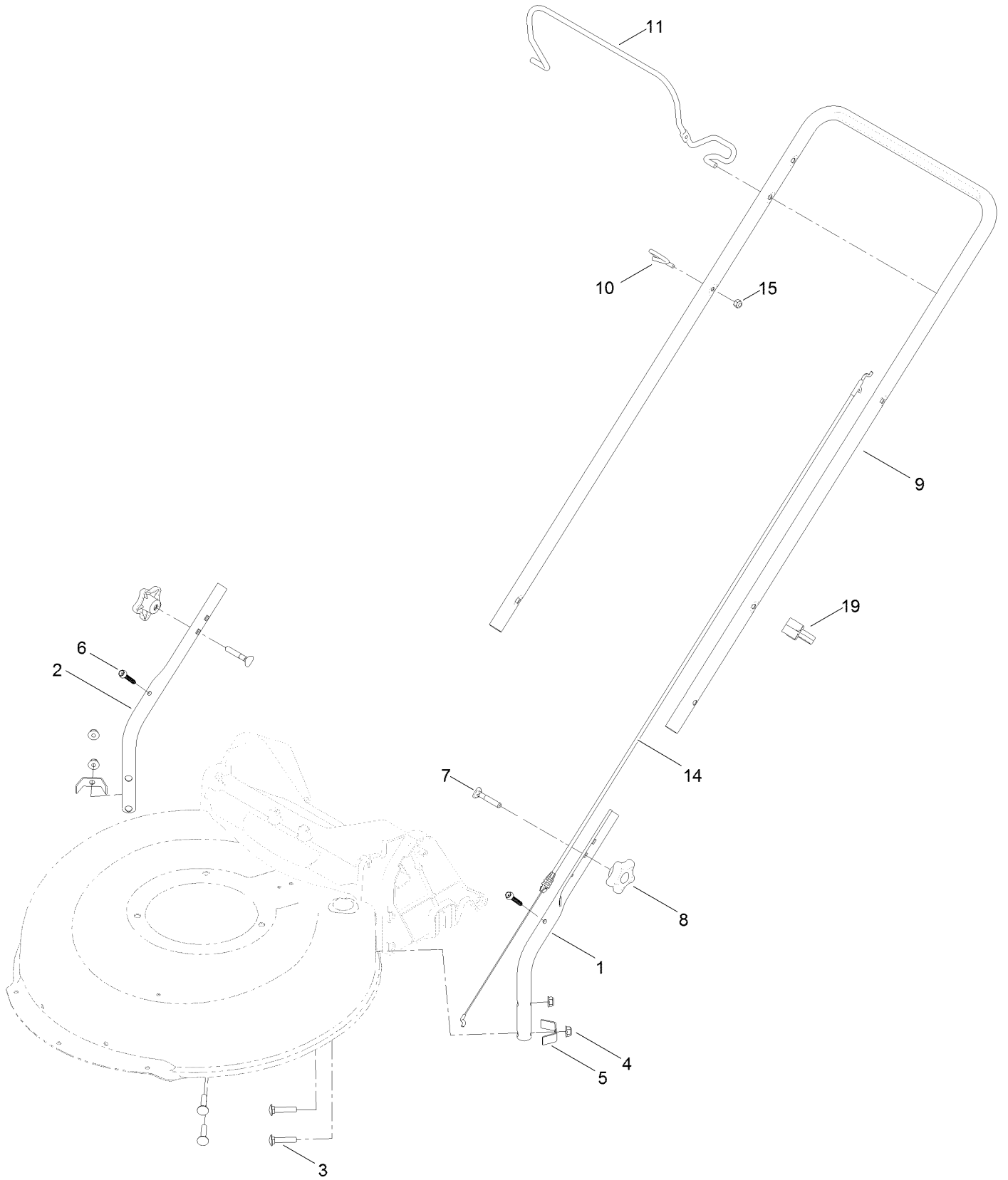
Rear Wheel Assembly



Rear Wheel Assembly (continued)

<i>Ref.</i>	<i>Part Number</i>	<i>Qty.</i>	<i>Description</i>	<i>Ref.</i>	<i>Part Number</i>	<i>Qty.</i>	<i>Description</i>
1	127-0669-03	1	Axle-Rear	6	40-1940	4	Washer
2	127-6800	1	Stop-Axle	7	92-1057	2	Bolt-Shoulder
3	127-6831	1	Screw-HWH	8	127-0686	2	11 Inch Wheel ASM
4	127-0697	1	Arm-Spring, Rear	9	125-5069	2	Nut-Hex
5	105-3042	1	Knob-Lever, HOC				

Handle Assembly



Handle Assembly (continued)

<i>Ref.</i>	<i>Part Number</i>	<i>Qty.</i>	<i>Description</i>	<i>Ref.</i>	<i>Part Number</i>	<i>Qty.</i>	<i>Description</i>
1	127-0657-05	1	Handle-Lower, LH	8	117-5976	2	Knob-Handle
2	127-0658-05	1	Handle-Lower, RH	9	127-0659-05	1	Handle-Upper
3	130-6654	4	Screw-CARR	10	86-9671	1	Guide-Rope
4	130-6655	4	Nut-Flange, NI	11	127-0718-03	1	Bail-Brake
5	127-0699	2	Bracket-Chute	14	127-0713	1	Cable-Brake, Engine
6	130-6659	2	Screw-Flange, Serrated	15	3296-73	1	Nut-Lock, NI
7	92-2260	2	Screw-Handle	19	114-7988	1	Guide-Cable

Attachments and Accessories

For 10736 21in Mulching/Rear Bagging Lawn Mower

Product Name	Model/Part
Lawnboy Premium Fuel Treatment .5 Oz.....	130-6653
21in Lawnboy Replacement Bag	89500
21in Lawnboy Bag And Frame Kit.....	89501
Side-Discharge Deflector.....	89502
21in Blade.....	89914P

Notes:

Notes:

Notes:

