



21in Mulching/Rear Bagging Lawn Mower

Model No. 10736—Serial No. 314000001 and Up

Operator's Manual



Receive a free side-discharge chute by completing the *Discharge Chute Order Form* when you register your product at www.Lawn-Boy.com! Please allow four to five weeks for delivery.

Introduction

This rotary-blade, walk-behind lawn mower is intended to be used by residential homeowners. It is designed primarily for cutting grass on well-maintained lawns on residential properties. It is not designed for cutting brush or for agricultural uses.

Read this information carefully to learn how to operate and maintain your product properly and to avoid injury and product damage. You are responsible for operating the product properly and safely.

You may contact Lawn-Boy directly at www.Lawn-Boy.com for product and accessory information, help finding a dealer, or to register your product.

Whenever you need service, genuine Lawn-Boy parts, or additional information, contact an Authorized Service Dealer or Lawn-Boy Customer Service and have the model and serial numbers of your product ready. Figure 1 identifies the location of the model and serial numbers on the product. Write the numbers in the space provided.

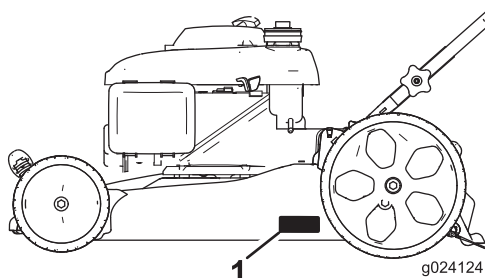


Figure 1

1. Model and serial number plate

Model No. _____
Serial No. _____

This manual identifies potential hazards and has safety messages identified by the safety alert symbol (Figure 2), which signals a hazard that may cause serious injury or death if you do not follow the recommended precautions.



Figure 2

1. Safety alert symbol

This manual uses 2 words to highlight information.

Important calls attention to special mechanical information and **Note** emphasizes general information worthy of special attention.

WARNING

CALIFORNIA Proposition 65 Warning

This product contains a chemical or chemicals known to the State of California to cause cancer, birth defects, or other reproductive harm.

The engine exhaust from this product contains chemicals known to the State of California to cause cancer, birth defects, or other reproductive harm.

Important: This engine is not equipped with a spark arrester muffler. It is a violation of California Public Resource Code Section 4442 to use or operate the engine on any forest-covered, brush-covered, or grass-covered land. Other states or federal areas may have similar laws.

This spark ignition system complies with Canadian ICES-002.

The enclosed *Engine Owner's Manual* is supplied for information regarding the US Environmental Protection



Agency (EPA) and the California Emission Control Regulation of emission systems, maintenance, and warranty. Replacements may be ordered through the engine manufacturer.

Net Torque

The gross or net torque of this engine was laboratory rated by the engine manufacturer in accordance with the Society of Automotive Engineers (SAE) J1940. As configured to meet safety, emission, and operating requirements, the actual engine torque on this class of mower will be significantly lower.

Contents

Introduction	1
General Operation	2
Slope Operation	3
Children	3
Service	3
Safety and Instructional Decals	4
Setup	5
Attaching the Handle	5
Installing the Recoil-starter Rope in the Rope Guide	5
Filling the Engine with Oil	5
Product Overview	6
Operation	7
Attachments/Accessories	7
Filling the Fuel Tank	7
Checking the Engine-oil Level	7
Adjusting the Cutting Height	8
Starting the Engine	8
Stopping the Engine	9
Mulching the Clippings	9
Bagging the Clippings	9
Operating Tips	9
Maintenance	11
Recommended Maintenance Schedule(s)	11
Preparing for Maintenance	12
Servicing the Air Cleaner	12
Changing the Engine Oil	13
Replacing the Blade	13
Cleaning the Underside of the Machine	14
Storage	15
Preparing the Machine for Storage	15
Folding the Handle	15
Removing the Machine from Storage	15

Safety

This machine meets or exceeds the CPSC blade safety requirements for walk-behind rotary lawn mowers.

Read and understand the contents of this manual before you start the engine.

The safety alert symbol (Figure 2) is used to alert you to potential personal injury hazards. Obey all safety messages that follow this symbol to avoid possible injury or death. Improperly using or maintaining this mower could result in injury or death. To reduce this potential, comply with the following safety instructions.

The following instructions have been adapted from the ANSI/OPEI standard B71.1-2003.

This cutting machine is capable of amputating hands and feet and of throwing objects. Failure to observe the following safety instructions could result in serious injury or death.

General Operation

- Read, understand, and follow all instructions on the machine and in the manual(s) before starting.
- Do not put hands or feet near or under the machine. Keep clear of the discharge opening at all times.
- Allow only responsible adults, who are familiar with the instructions, to operate this machine.
- Clear the area of objects such as rocks, wire, toys, etc., which could be thrown by the blade. Stay behind the handle when the engine is running.
- Be sure the area is clear of bystanders before operating. Stop machine if anyone enters the area.
- Do not operate the machine barefooted or while wearing sandals. Always wear substantial footwear.
- Do not pull machine backward unless absolutely necessary. Always look down and behind before and while moving backward.
- Never direct discharged material toward anyone. Avoid discharging material against a wall or obstruction. Material may ricochet back toward the operator. Stop the blade when crossing gravel surfaces.
- Do not operate machine without the entire grass catcher, discharge guard, rear guard, or other safety protective devices in place and working.
- Never leave a running machine unattended.
- Stop the engine and wait until the blade comes to a complete stop before cleaning the machine, removing grass catcher, or unclipping the discharge guard.
- Operate machine only in daylight or good artificial light.
- Do not operate machine while under the influence of alcohol or drugs.
- Never operate the mower in wet grass. Always be sure of your footing; walk; never run.

- Disengage the drive system, if so equipped, before starting the engine.
- If the machine should start to vibrate abnormally, stop the engine and check for the cause immediately. Vibration is generally a warning of trouble.
- Always wear eye protection when operating the machine.
- Lightning can cause severe injury or death. If you see lightning or hear thunder in the area, do not operate the machine; seek shelter.
- See the manufacturer's instructions for proper operation and installation of accessories. Only use accessories approved by the manufacturer.

Slope Operation

Slopes are a major factor related to slip-and-fall accidents, which can result in severe injury. Operation on all slopes require extra caution. If you feel uneasy on a slope, do not mow it.

- Mow across the face of slopes; never up and down. Exercise extreme caution when changing direction on slopes.
- Watch for holes, ruts, bumps, rocks, or other hidden objects. Uneven terrain could cause a slip-and-fall accident. Tall grass can hide obstacles.
- Do not mow on wet grass or excessively steep slopes. Poor footing could cause a slip-and-fall accident.
- Do not mow near drop-offs, ditches, or embankments. You could lose your footing or balance.

Children

Tragic accidents can occur if the operator is not alert to the presence of children. Children are often attracted to the machine and the mowing activity. **Never** assume that children will remain where you last saw them.

- Keep children out of the mowing area and under the watchful care of a responsible adult other than the operator.
- Be alert and turn mower off if a child enters the area.
- Never allow children to operate the machine.
- Use extra care when approaching blind corners, shrubs, trees, or other objects that may block your view of a child.

Service

Safe Handling of Gasoline

To avoid personal injury or property damage, use extreme care in handling gasoline. Gasoline is extremely flammable and the vapors are explosive.

- Extinguish all cigarettes, cigars, pipes, and other sources of ignition.

- Use only an approved gasoline container.
- Never remove the gas cap or add fuel with the engine running. Allow engine to cool before refueling.
- Never refuel the machine indoors.
- Never store the machine or fuel container where there is an open flame, spark, or pilot light, such as on a water heater or on other appliances.
- Never fill containers inside a vehicle or on a truck or trailer bed with a plastic liner. Always place containers on the ground away from your vehicle before filling.
- Remove gas-powered equipment from the truck or trailer and refuel it on the ground. If this is not possible, then refuel such equipment with a portable container rather than from a gasoline dispenser nozzle.
- Keep the nozzle in contact with the rim of the fuel tank or container opening at all times until fueling is complete. Do not use a nozzle lock-open device.
- If fuel is spilled on clothing, change clothing immediately.
- Never overfill fuel tank. Replace the gas cap and tighten it securely.

▲ WARNING

Exhaust contains carbon monoxide, an odorless, deadly poison that can kill you.

Do not run the engine indoors or in an enclosed area.

General Service

- Never operate the machine in a closed area.
- Keep all nuts and bolts tight to be sure the equipment is in safe working condition.
- Never remove or tamper with safety devices. Check their proper operation regularly. Never do anything to interfere with the intended function of a safety device or to reduce the protection provided by a safety device.
- Keep the machine free of grass, leaves, or other debris build-up. Clean up oil or fuel spillage and remove any fuel-soaked debris. Allow the machine to cool before storing it.
- If you strike a foreign object, stop and inspect the machine. Repair, if necessary, before starting.
- Never make any adjustments or repairs with the engine running. Disconnect the spark-plug wire and ground against the engine to prevent unintended starting.
- Check grass catcher components and the discharge guard frequently and replace them with manufacturer's recommended parts, when necessary.
- Mower blades are sharp. Wrap the blade or wear gloves, and use extra caution when servicing them.
- Do not change the engine governor setting or overspeed the engine.

- Maintain or replace safety and instruction labels, as necessary.
- To best protect your investment and maintain optimal performance of your Lawn-Boy equipment, count on Lawn-Boy genuine parts. When it comes to reliability, Lawn-Boy delivers replacement parts designed to the exact engineering specifications of our equipment. For peace of mind, insist on Lawn-Boy genuine parts.

Hauling

- Use care when loading or unloading the machine into a trailer or truck.
- Use full-width ramps for loading the machine into a trailer or truck.
- Tie the machine down securely using straps, chains, cable, or ropes. Both the front and the rear straps should be directed down and outward from the machine.

Safety and Instructional Decals

Important: Safety and instruction decals are located near areas of potential danger. Replace damaged decals.



Manufacturer's Mark

1. Indicates that the blade is identified as a part from the original machine manufacturer.



94-8072

CALIFORNIA SPARK ARRESTER WARNING
 Operation of this equipment may create sparks that can start fires around dry vegetation. A spark arrester may be required. The operator should contact local fire agencies for laws or regulations relating to fire prevention requirements. 117-2718

117-2718



117-4143

1. Warning—read the *Operator's Manual*.
2. Thrown object hazard—keep bystanders a safe distance from the machine.
3. Cutting/dismemberment hazard of hand or foot, mower blade—disconnect the spark-plug wire and read the instructions before servicing or performing maintenance.
4. Cutting/dismemberment hazard of hand or foot, mower blade—stay away from moving parts and keep all guards and shields in place.
5. Cutting/dismemberment hazard of hand or foot, mower blade—do not mow up and down slopes, only mow across; stop the mower and engine, pick up debris before operating; look behind and down when reversing.

Setup

Important: Remove and discard the protective plastic sheet that covers the engine.

Attaching the Handle

⚠ WARNING

Folding or unfolding the handle improperly can damage the cables, causing an unsafe operating condition.

- Do not damage the cables when folding or unfolding the handle.
- If a cable is damaged, contact an Authorized Service Dealer.

1. Remove the handle knobs from the machine housing (Figure 3).

Important: Route the cables to the outside of the handle as you install the handle.

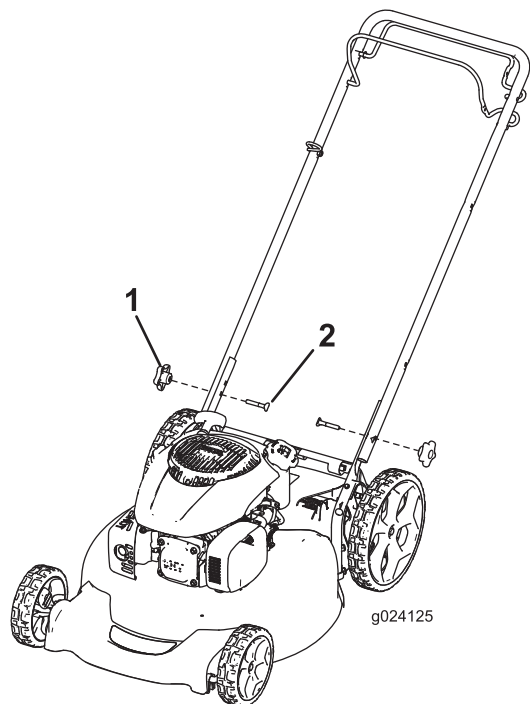


Figure 3

1. Handle knob (2)
2. Bolt (2)

2. Move the handle to the operating position (Figure 3).
3. Install the handle knobs and tighten them firmly by hand.

Installing the Recoil-starter Rope in the Rope Guide

Important: To start the engine safely and easily whenever you use the machine, install the recoil-starter rope in the rope guide.

Hold the blade-control bar to the upper handle, and pull the recoil-starter rope through the rope guide on the handle (Figure 4).

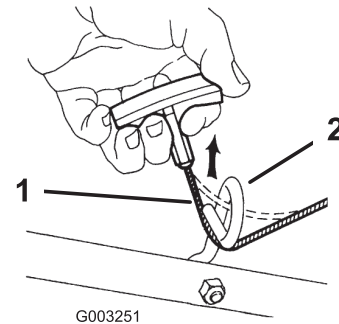


Figure 4

1. Recoil-starter rope
2. Rope guide

Filling the Engine with Oil

Important: Your machine does not come with oil in the engine. Before starting the engine, fill the engine with oil.

1. Move the machine to a level surface.
2. Remove the dipstick (Figure 5) and pour about 3/4 of the crankcase capacity of oil into the oil-fill tube.

Note: Max. fill: 0.55 L (18.6 oz), type: SAE 30 detergent oil with an API service classification of SF, SG, SH, SJ, SL, or higher.

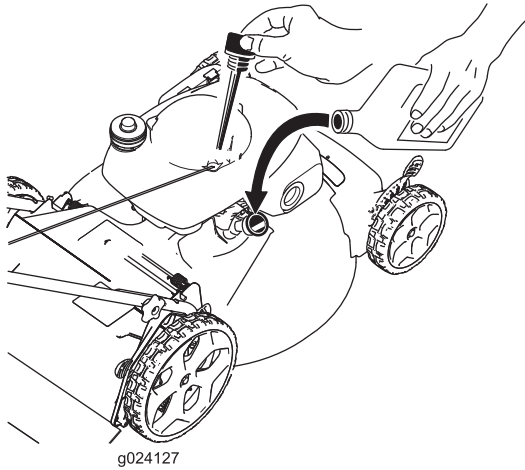
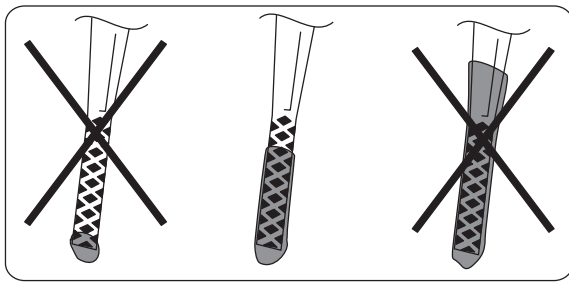


Figure 5

Product Overview

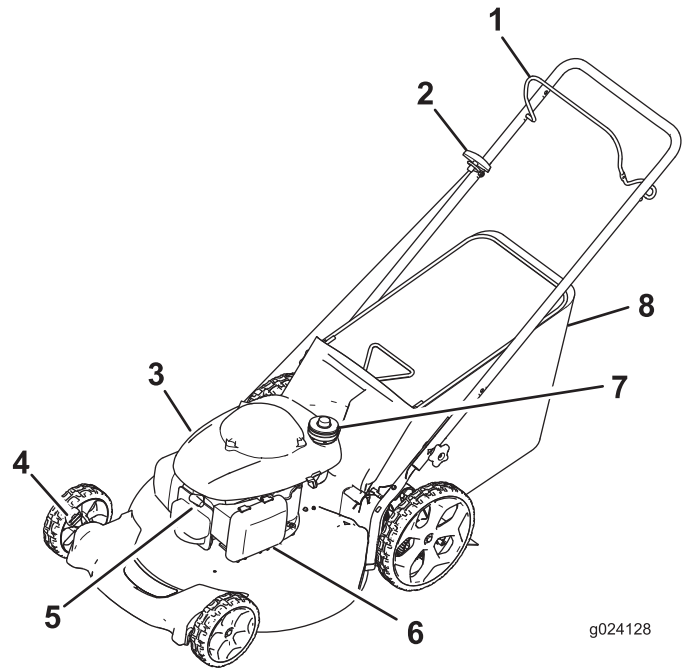


Figure 6

- | | |
|------------------------------------|------------------|
| 1. Blade-control bar | 5. Spark plug |
| 2. Recoil-start handle | 6. Air cleaner |
| 3. Oil fill / Dipstick (not shown) | 7. Fuel-tank cap |
| 4. Cutting-height lever (2) | 8. Grass bag |

3. Wipe off the dipstick end with a clean cloth.
 4. Insert the dipstick into the oil-fill tube, but **do not** screw it in.
 5. Remove the dipstick and read the oil level on the dipstick (Figure 5).
 - If the oil level is low, add a small amount of oil slowly to the oil-fill tube, and then repeat steps 3 through 5 until the oil level on the dipstick is correct.
 - If the oil level is high, drain the excess oil until the oil level on the dipstick is correct. To drain the excess oil, refer to Changing the Engine Oil (page 13).
- Important:** If the oil level in the crankcase is too low or too high and you run the engine, you may damage the engine.
6. Install the dipstick securely.

Important: *Change the engine oil after the first 5 operating hours; change it yearly thereafter. Refer to Changing the Engine Oil (page 13).*

Operation

Attachments/Accessories

A selection of Lawn-Boy approved attachments and accessories is available for use with the machine to enhance and expand its capabilities. Contact your Authorized Service Dealer or Distributor or go to www.Lawn-Boy.com for a list of all approved attachments and accessories.

Filling the Fuel Tank

⚠ DANGER

Gasoline is extremely flammable and explosive. A fire or explosion from gasoline can burn you and others.

- To prevent a static charge from igniting the gasoline, place the container and/or machine directly on the ground before filling, not in a vehicle or on an object.
- Fill the tank outdoors when the engine is cold. Wipe up spills.
- Do not handle gasoline when smoking or around an open flame or sparks.
- Store gasoline in an approved fuel container, out of the reach of children.
- For best results, use only clean, fresh (less than 30 days old), unleaded gasoline with an octane rating of 87 or higher ((R+M)/2 rating method).
- Oxygenated fuel with up to 10% ethanol or 15% MTBE by volume is acceptable.
- **Ethanol:** Gasoline with up to 10% ethanol (gasohol) or 15% MTBE (methyl tertiary butyl ether) by volume is acceptable. Ethanol and MTBE are not the same. Gasoline with 15% ethanol (E15) by volume is not approved for use. **Never use gasoline that contains more than 10% ethanol by volume**, such as E15 (contains 15% ethanol), E20 (contains 20% ethanol), or E85 (contains up to 85% ethanol). Using unapproved gasoline may cause performance problems and/or engine damage which may not be covered under warranty.
- Do not use gasoline containing methanol.
- Do not store fuel either in the fuel tank or in fuel containers over the winter unless a fuel stabilizer is used.
- Do not add oil to gasoline.

Important: To reduce starting problems, add fuel stabilizer to the fuel all season, mixing it with gasoline less than 30 days old.

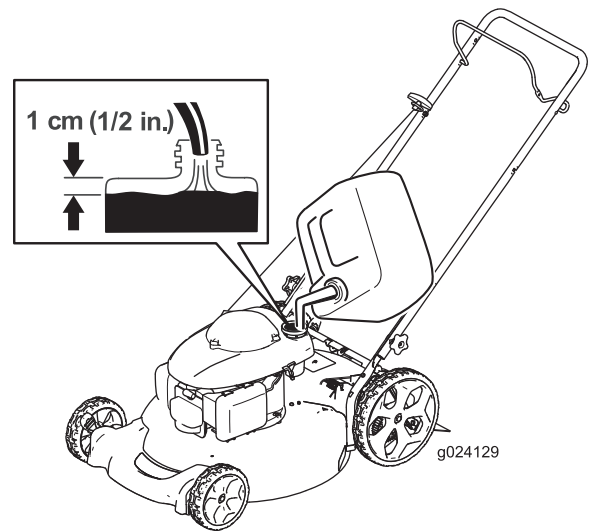


Figure 7

Checking the Engine-oil Level

Service Interval: Before each use or daily

Max. fill: 0.55 L (18.6 oz), type: SAE 30 or SAE 10W-30 detergent oil with an API service classification of SF, SG, SH, SJ, SL, or higher.

1. Move the machine to a level surface.
2. Remove the dipstick (Figure 8).

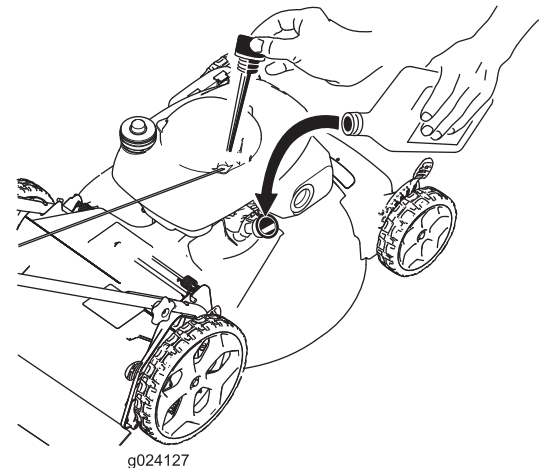
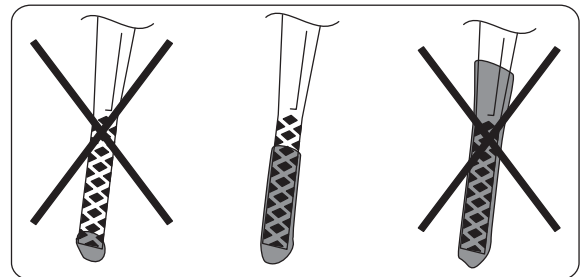


Figure 8

3. Wipe off the dipstick end with a clean cloth.

4. Insert the dipstick into the oil-fill tube, but **do not** screw it in.
5. Remove the dipstick and read the oil level; refer to Figure 8.
 - If the oil level is low, add a small amount of oil slowly to the oil-fill tube, and then repeat steps 3 through 5 until the oil level on the dipstick is correct.
 - If the oil level is high, drain the excess oil until the oil level on the dipstick is correct. To drain the excess oil, refer to Changing the Engine Oil (page 13).

Important: If the oil level in the crankcase is too low or too high and you run the engine, you may damage the engine.
6. Install the dipstick securely.

Important: The cutting height settings are 32 mm (1-1/4 inches); 44 mm (1-3/4 inches); 57 mm (2-1/4 inches); 70 mm (2-3/4 inches); 83 mm (3-1/4 inches); and 95 mm (3-3/4 inches).

Starting the Engine

1. Turn the fuel-valve lever to the On position (Figure 10).

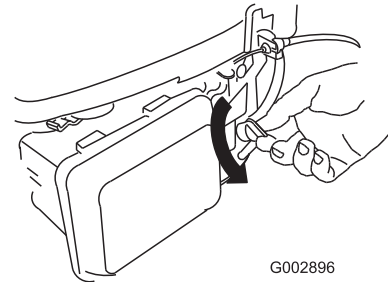


Figure 10

2. Hold the blade-control bar against the upper handle (Figure 11).

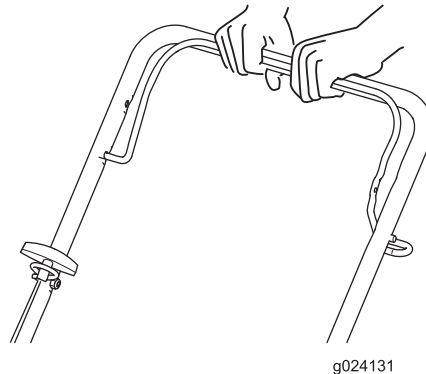


Figure 11

3. Pull the recoil-start handle (Figure 12).

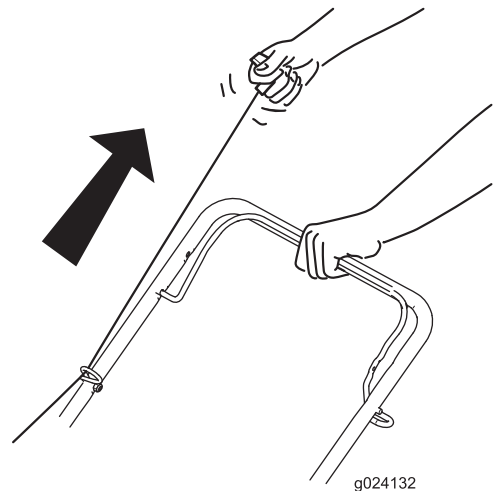


Figure 12

Adjusting the Cutting Height

⚠ WARNING

Adjusting the cutting height may bring you into contact with the moving blade, causing serious injury.

- Stop the engine and wait for all moving parts to stop.
- Do not put your fingers under the housing when adjusting the cutting height.

⚠ CAUTION

If the engine has been running, the muffler will be hot and can severely burn you. Keep away from the hot muffler.

Adjust the cutting height as desired. Set the front wheels and the rear wheels to the same height.

Note: To raise or lower the machine, move the cutting-height levers as shown in Figure 9.

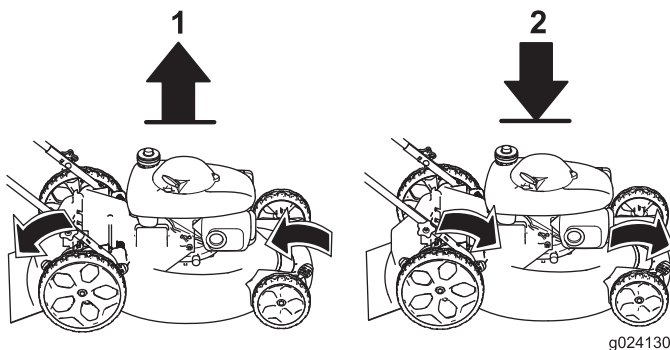


Figure 9

1. Raise the machine
2. Lower the machine

Note: If the machine does not start after several attempts, contact an Authorized Service Dealer.

Stopping the Engine

Service Interval: Before each use or daily

To stop the engine, release the blade-control bar (Figure 13).

Important: When you release the blade-control bar, both the engine and blade should stop within 3 seconds. If they do not stop properly, stop using your machine immediately and contact an Authorized Service Dealer.

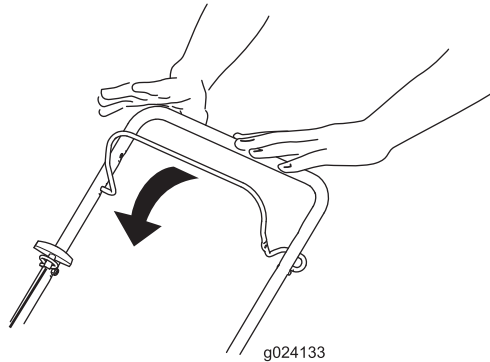


Figure 13

Mulching the Clippings

Your machine comes from the factory ready to mulch the grass and leaf clippings back into the lawn.

If the grass bag is on the machine, remove it before mulching the clippings. Refer to Removing the Grass Bag (page 9).

Bagging the Clippings

Use the grass bag when you want to collect grass and leaf clippings from the lawn.

⚠ WARNING

A worn grass bag could allow small stones and other similar debris to be thrown at you or in the direction of bystanders, resulting in serious personal injury or death to you or to bystanders.

Check the grass bag frequently. If it is damaged, install a new Lawn-Boy replacement bag.

⚠ WARNING

The blade is sharp; contacting the blade can result in serious personal injury.

Stop the engine and wait for all moving parts to stop before leaving the operating position.

Installing the Grass Bag

1. Lift up the rear deflector (Figure 14).

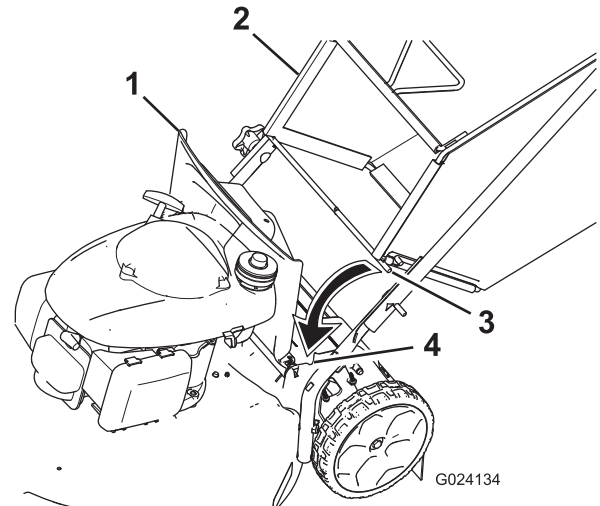


Figure 14

1. Rear deflector
2. Grass bag
3. Rod end on the grass bag (2)
4. Notch in the handle bracket (2)

2. Insert the rod ends of the grass bag into the notches in the handle brackets (Figure 14).
3. Allow the rear deflector to rest on the bag.

Removing the Grass Bag

1. Lift up the rear deflector (Figure 14).
2. Lift the grass-bag handle out from the notches on the handle brackets and remove the bag from the machine.
3. Close the rear deflector.

Operating Tips

General Mowing Tips

- Clear the area of sticks, stones, wire, branches, and other debris that the blade could hit.
- Avoid striking solid objects with the blade. Never deliberately mow over any object.
- If the machine strikes an object or starts to vibrate, immediately stop the engine, disconnect the wire from the spark plug, and examine the machine for damage.
- For best performance, install a new blade before the cutting season begins.
- Replace the blade when necessary with a Lawn-Boy replacement blade.

Cutting Grass

- Cut only about a third of the grass blade at a time. Do not cut below the 44 mm (1-3/4 inch) setting unless the grass

is sparse or it is late fall when grass growth begins to slow down. Refer to Adjusting the Cutting Height (page 8).

- When cutting grass over 15 cm (6 inches) tall, mow at the highest cutting height setting and walk slower; then mow again at a lower setting for the best lawn appearance. If the grass is too long, the machine may plug and cause the engine to stall.
- Mow only dry grass or leaves. Wet grass and leaves tend to clump on the yard and can cause the machine to plug or the engine to stall.

⚠ WARNING

Wet grass or leaves can cause serious injury if you slip and contact the blade. Mow only in dry conditions.

- Alternate the mowing direction. This helps disperse the clippings over the lawn for even fertilization.
- If the finished lawn appearance is unsatisfactory, try one or more of the following:
 - Replace the blade or have it sharpened.
 - Walk at a slower pace while mowing.
 - Raise the cutting height on your machine.
 - Cut the grass more frequently.
 - Overlap cutting swaths instead of cutting a full swath with each pass.
 - Set the cutting height on the front wheels one notch lower than the rear wheels. For example, set the front wheels at 57 mm (2-1/4 inches) and the rear wheels at 70 mm (2-3/4 inches).

Maintenance

Note: Determine the left and right sides of the machine from the normal operating position.

Recommended Maintenance Schedule(s)

Maintenance Service Interval	Maintenance Procedure
After the first 5 hours	<ul style="list-style-type: none">• Change the engine oil.
Before each use or daily	<ul style="list-style-type: none">• Check the engine-oil level.• Ensure that the engine stops within 3 seconds after releasing the blade-control bar.• Check the air cleaner for dirt and damage and clean or replace it if necessary.
After each use	<ul style="list-style-type: none">• Clean grass clippings and dirt from under the machine.
Every 25 hours	<ul style="list-style-type: none">• Clean or replace the air-cleaner element (more frequently when operating the machine in dusty or dirty operating conditions).
Every 100 hours	<ul style="list-style-type: none">• Clean the cooling system (refer to your engine owner's manual).• Replace the spark plug.
Before storage	<ul style="list-style-type: none">• Empty the fuel tank before repairs as directed and before annual storage.
Yearly	<ul style="list-style-type: none">• Change the engine oil.• Replace the blade or have it sharpened (more frequently if the edge dulls quickly).• Refer to your Engine Operator's Manual for any additional yearly maintenance procedures.

Important: Refer to your *Engine Operator's Manual* for additional maintenance procedures.

Preparing for Maintenance

1. Stop the engine and wait for all moving parts to stop.
2. Disconnect the spark-plug wire from the spark plug (Figure 15) before performing any maintenance procedure.

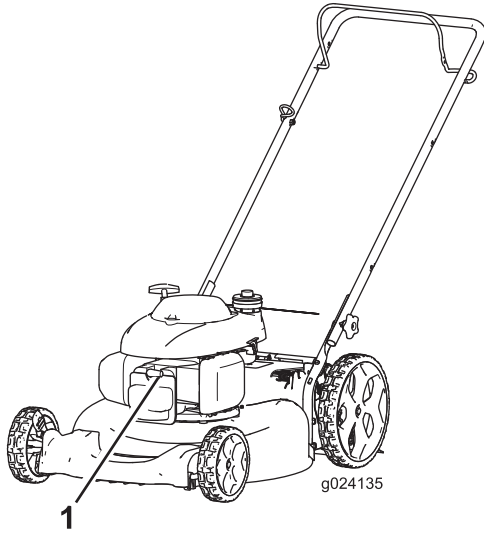


Figure 15

1. Spark-plug wire

3. After performing the maintenance procedure(s), connect the spark-plug wire to the spark plug.

Important: Before tipping the machine to change the oil or replace the blade, allow the fuel tank to run dry through normal usage. If you must tip the machine prior to running out of fuel, use a hand fuel pump to remove the fuel. Always tip the machine onto its side with the dipstick down.

⚠ WARNING

Tipping the machine may cause the fuel to leak. Gasoline is flammable, explosive and can cause personal injury.

Run the engine dry or remove the gasoline with a hand pump; never siphon.

Servicing the Air Cleaner

Service Interval: Before each use or daily

Every 25 hours/Yearly (whichever comes first)—Clean or replace the air-cleaner element (more frequently when operating the machine in dusty or dirty operating conditions).

1. Press down on the latch tabs on top of the air-cleaner cover (Figure 16).

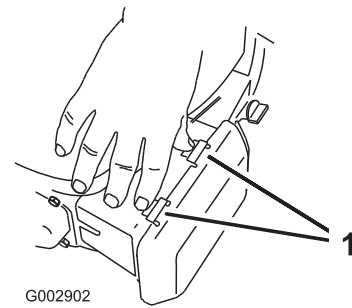


Figure 16

1. Latch tabs

2. Open the cover.
3. Remove the air-cleaner element (Figure 16).

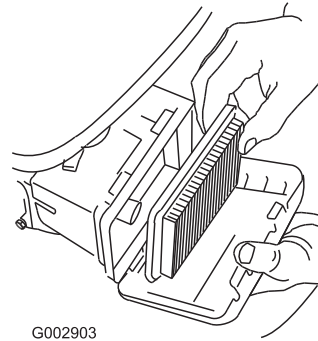


Figure 17

4. If the air-cleaner element is damaged or is wet with oil or fuel, replace it.
 5. If the air-cleaner element is dirty, tap it on a hard surface several times or blow compressed air less than 207 kPa (30 psi) through the side of the filter that faces the engine.
- Note:** Do not brush the dirt off the filter; brushing forces dirt into the fibers.
6. Remove dirt from the air-cleaner body and cover using a moist rag. **Do not wipe dirt into the air duct.**
 7. Install the air-cleaner element into the air cleaner.
 8. Close the cover.

Changing the Engine Oil

Service Interval: After the first 5 hours

Yearly

Run the engine a few minutes before changing the oil to warm it. Warm oil flows better and carries more contaminants.

1. Perform the pre-maintenance procedures; refer to Preparing for Maintenance (page 12).
2. Remove the dipstick.
3. Tip the machine onto its side, with the dipstick down, to drain the used oil out through the oil-fill tube (Figure 18).

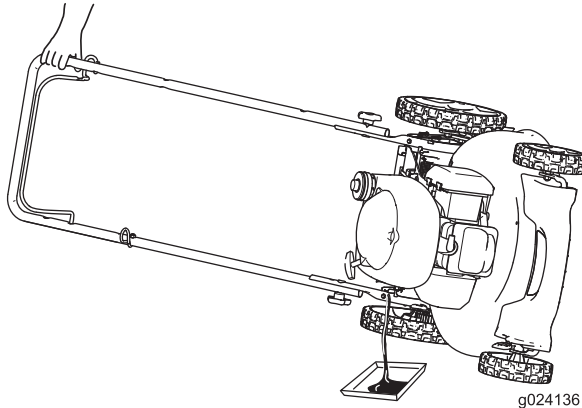


Figure 18

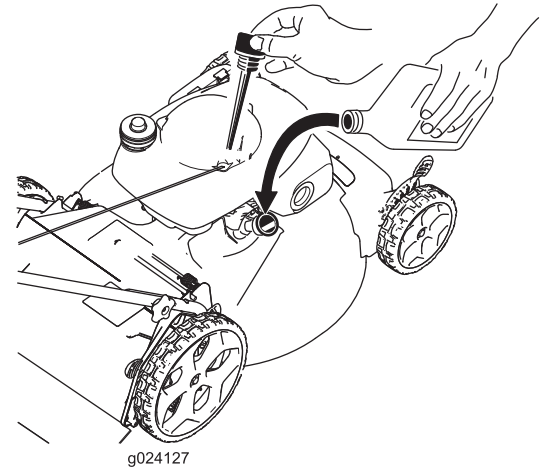
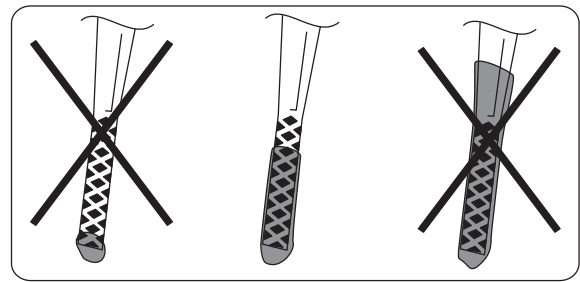


Figure 19

4. After draining the used oil, return the machine to the normal operating position.
5. Pour about 3/4 of the crankcase capacity of oil into the oil-fill tube.

Note: Max. fill: 0.55 L (18.6 oz), type: SAE 30 or SAE 10W-30 detergent oil with an API service classification of SF, SG, SH, SJ, SL, or higher.

6. Wipe off the dipstick end with a clean cloth.
7. Insert the dipstick into the oil-fill tube, but **do not** screw it in.
8. Remove the dipstick and read the oil level on the dipstick (Figure 19).

- If the oil level is low, add a small amount of oil slowly to the oil-fill tube, and then repeat steps 6 through 8 until the oil level on the dipstick is correct.
 - If the oil level is high, drain the excess oil until the oil level on the dipstick is correct.
- Important:** If the oil level in the crankcase is too low or too high and you run the engine, you may damage the engine.

9. Install the dipstick securely.
10. Recycle the used oil properly.

Replacing the Blade

Service Interval: Yearly

Important: You will need a torque wrench to install the blade properly. If you do not have a torque wrench or are uncomfortable performing this procedure, contact an Authorized Service Dealer.

Examine the blade whenever you run out of gasoline. If the blade is damaged or cracked, replace it immediately. If the blade edge is dull or nicked, have it sharpened or replace it.

▲ WARNING

The blade is sharp; contacting the blade can result in serious personal injury.

- Disconnect the wire from the spark plug.
- Wear gloves when servicing the blade.

1. Disconnect the spark-plug wire from the spark plug. Refer to Preparing for Maintenance (page 12).
2. Tip the machine onto its side, with the air filter up.
3. Use a block of wood to hold the blade steady.
4. Remove the blade (turn the blade bolt counterclockwise), saving all the mounting hardware.
5. Install the new blade (turn the blade bolt clockwise) and all mounting hardware (Figure 20).

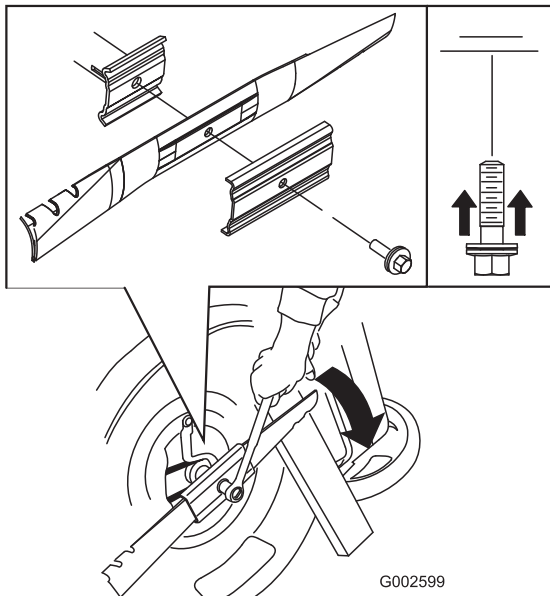


Figure 20

Important: Position the curved ends of the blade to point toward the machine housing.

6. Use a torque wrench to tighten the blade bolt to 82 N-m (60 ft-lb).

Important: A bolt torqued to 82 N-m (60 ft-lb) is very tight. While holding the blade with a block of wood, put your weight behind the ratchet or wrench and tighten the bolt securely. This bolt is very difficult to overtighten.

Cleaning the Underside of the Machine

Service Interval: After each use

⚠ WARNING

The machine may dislodge material from under the machine housing.

- Wear eye protection.
- Stay in the operating position (behind the handle).
- Do not allow bystanders in the area.

1. With the engine running on a flat paved surface, spray a stream of water in front of the **right** rear wheel (Figure 21).

The water will splash into the path of the blade, cleaning out the clippings.



Figure 21

2. When no more clippings come out, stop the water and move the machine to a dry area.
3. Run the engine for a few minutes to dry the housing to prevent it from rusting.

Storage

Store the machine in a cool, clean, dry place.

Preparing the Machine for Storage

⚠ WARNING

Gasoline vapors can explode.

- Do not store gasoline more than 30 days.
 - Do not store the machine in an enclosure near an open flame.
 - Allow the engine to cool before storing it.
1. On the last refueling of the year, add fuel stabilizer to the fuel as directed by the engine manufacturer.
 2. Run the machine until the engine stops from running out of fuel.
 3. Prime the engine and start it again.
 4. Allow the engine to run until it stops. When you can no longer start the engine, it is sufficiently dry.
 5. Disconnect the wire from the spark plug.
 6. Remove the spark plug, add 30 ml (1 oz) of oil through the spark plug hole, and pull the starter rope **slowly** several times to distribute oil throughout the cylinder to prevent cylinder corrosion during the off-season.
 7. Install the spark plug and tighten it with a torque wrench to 20 N-m (15 ft-lb).
 8. Tighten all nuts, bolts, and screws.

Folding the Handle

⚠ WARNING

Folding or unfolding the handle improperly can damage the cables, causing an unsafe operating condition.

- Do not damage the cables when folding or unfolding the handle.
 - If a cable is damaged, contact an Authorized Service Dealer.
1. Loosen the handle knobs until you can move the handle freely (Figure 22).

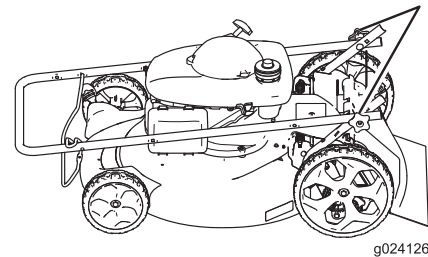
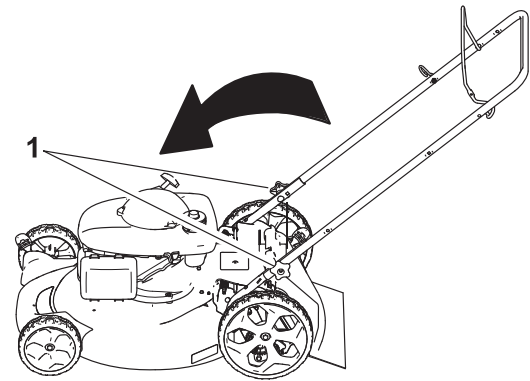


Figure 22

1. Handle knob (2)

2. Move the handle forward as shown in Figure 22.

Removing the Machine from Storage

1. Remove the spark plug and spin the engine rapidly by pulling the recoil-start handle to blow the excess oil from the cylinder.
2. Install the spark plug and tighten it with a torque wrench to 20 N-m (15 ft-lb).
3. Connect the wire to the spark plug.



The Lawn-Boy No-Worry Warranty

A 2-Year Full Warranty (45 Day Limited Warranty for Commercial Use)

21 in. Mulching/Rear Bagging

Walk Power Mowers

The Lawn-Boy True Start Commitment

A 3-Year Full Warranty (Not Applicable for Commercial Use)

Conditions and Products Covered

Lawn-Boy Inc. and its affiliate, Lawn-Boy Warranty Company, pursuant to an agreement between them, jointly promise to repair the Lawn-Boy Product listed below if used for residential purposes*; if it is defective in materials or workmanship or if it stops functioning due to the failure of a component; or if the Lawn-Boy True Start engine will not start on the first or second pull, provided the routine maintenance required in the *Operator's Manual* have been performed.

This warranty covers the cost of parts and labor, but you must pay transportation costs.

The following time periods apply from the date of purchase:

Products	Warranty Period
21 in. Mulching/Rear Bagging Mowers and Attachments	2 - year full warranty
True Start Commitment	3 - year full warranty
Engine	3 - year full warranty
Battery	1 - year full warranty
Wear Items (Belts, blades, blade adaptors, grass bags, cables, and wheels)	90 days

Limited Warranty for Commercial Use*

Gas-powered Lawn-Boy Products used for commercial, institutional, or rental use, are warranted for 45 days against defects in materials or workmanship. Components failing due to normal wear are not covered by this warranty.

The True Start Commitment does not apply when the product is used commercially*.

Instructions for Obtaining Warranty Service

If you think that your Lawn-Boy Product contains a defect in materials or workmanship, or if a normal, able-bodied adult can no longer start your product's engine in one or two pulls, follow this procedure:

- Contact any Authorized Lawn-Boy Service Dealer to arrange service at their dealership. To locate a dealer convenient to you, refer to the *Yellow Pages* of your telephone directory (look under "Lawn Mowers") or access our web site at www.Lawn-Boy.com. You may also call the numbers listed in item #3 to use the 24-hour Lawn-Boy Dealer locator system.
- Bring the product and your proof of purchase (sales receipt) to the Service Dealer. The dealer will diagnose the problem and determine if it is covered under warranty.
- If for any reason you are dissatisfied with the Service Dealer's analysis or with the assistance provided, contact us at:

Customer Care Department
Lawn-Boy Inc.
8111 Lyndale Avenue South
Bloomington, MN 55420-1196
Toll free at 866-216-6032 (U.S. customers)
Toll free at 866-216-6031 (Canadian customers)

Owner Responsibilities

You must maintain your Lawn-Boy Product by following the maintenance procedures described in the *Operator's Manual*. Such routine maintenance, whether performed by a dealer or by you, is at your expense.

Countries Other than the United States or Canada

Customers who have purchased Lawn-Boy products exported from the United States or Canada should contact their Lawn-Boy Distributor (Dealer) to obtain guarantee policies for your country, province, or state. If for any reason you are dissatisfied with your Distributor's service or have difficulty obtaining guarantee information, contact the Lawn-Boy importer. If all other remedies fail, you may contact us at Lawn-Boy Warranty Company.

Australian Consumer Law: Australian customers will find details relating to the Australian Consumer Law either inside the box or at your local Lawn-Boy Dealer.

*Residential purposes means use of the product on the same lot as your home. Use at more than one location, or institutional or rental use, is considered commercial use and the commercial use warranty would apply.

Items and Conditions Not Covered

There is no other express warranty except for special emission system coverage and engine warranty coverage on some products. This express warranty does not cover the following:

- Cost of regular maintenance service or parts, such as filters, fuel, lubricants, oil changes, spark plugs, air filters blade sharpening or worn blades, cable/linkage adjustments, or brake and clutch adjustments
- Components failing due to normal wear
- Any product or part which has been altered or misused or neglected and requires replacement or repair due to accidents or lack of proper maintenance
- Pickup and delivery charges
- Repairs or attempted repairs by anyone other than an Authorized Lawn-Boy Service Dealer
- Repairs necessary due to failure to follow recommended fuel procedure (consult *Operator's Manual* for more details)
 - Removing contaminants from the fuel system is not covered
 - Use of old fuel (more than one month old) or fuel which contains more than 10% ethanol or more than 15% MTBE
 - Failure to drain the fuel system prior to any period of non-use over one month
- Repairs or adjustments to correct starting difficulties due to the following:
 - Failure to follow proper maintenance procedures or recommended fuel procedure
 - Rotary mower blade striking an object
- Special operational conditions where starting may require more than two pulls:
 - First time starts after extended period of non-use over three months or seasonal storage
 - Cool temperature starts such as those found in early spring and late autumn
 - Improper starting procedures - if you are having difficulty starting your unit, please check the *Operator's Manual* to ensure that you are using the correct starting procedures. This can save an unnecessary visit to an Authorized Lawn-Boy Service Dealer.

General Conditions

All repairs covered by these warranties must be performed by an Authorized Lawn-Boy Service Dealer using Lawn-Boy-approved replacement parts. Repair by an Authorized Lawn-Boy Service Dealer is your sole remedy under this warranty.

Lawn-Boy Inc. nor Lawn-Boy Warranty Company is liable for indirect, incidental, or consequential damages in connection with the use of the Lawn-Boy Products covered by these warranties, including any cost or expense of providing substitute equipment or service during reasonable periods of malfunction or non-use pending completion of repairs under these warranties.

Some states do not allow exclusions of incidental or consequential damages, so the above exclusions may not apply to you.

This warranty gives you specific legal rights, and you may also have other rights which vary from state to state.



Cortacésped de mulching/ensacado trasero de 21 pulgadas

Nº de modelo 10736—Nº de serie 314000001 y superiores

Manual del operador



¡Reciba un conducto de descarga lateral gratis! Rellene el *Formulario de pedido del conducto de descarga* al registrar su producto en www.Lawn-Boy.com El plazo de entrega es de cuatro a cinco semanas.

Introducción

Este cortacésped dirigido de cuchillas rotativas está diseñado para ser usado por usuarios domésticos. Está diseñado principalmente para segar césped bien mantenido en zonas verdes residenciales. No está diseñado para cortar maleza o para aplicaciones agrícolas.

Lea este manual detenidamente para aprender a utilizar y mantener correctamente su producto, y para evitar lesiones y daños al producto. Usted es el responsable de operar el producto de forma correcta y segura.

Puede dirigirse directamente a Lawn-Boy: www.Lawn-Boy.com para buscar información sobre productos y accesorios, para localizar un distribuidor o para registrar su producto.

Cuando necesite asistencia técnica, piezas genuinas Lawn-Boy o información adicional, póngase en contacto con un Servicio Técnico Autorizado o con Asistencia al Cliente Lawn-Boy, y tenga a mano los números de modelo y serie de su producto. Figura 1 identifica la ubicación de los números de modelo y serie en el producto. Escriba los números en el espacio provisto.

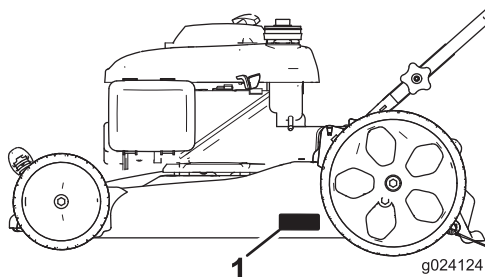


Figura 1

1. Placa con los números de modelo y de serie

Nº de modelo _____
Nº de serie _____

Este manual identifica peligros potenciales y contiene mensajes de seguridad identificados por el símbolo de alerta de seguridad (Figura 2), que señala un peligro que puede causar lesiones graves o la muerte si usted no sigue las precauciones recomendadas.



Figura 2

1. Símbolo de alerta de seguridad

Este manual utiliza 2 palabras para resaltar información. **Importante** llama la atención sobre información mecánica especial, y **Nota** resalta información general que merece una atención especial.

ADVERTENCIA

CALIFORNIA Advertencia de la Propuesta 65

Este producto contiene una o más sustancias químicas que en el estado de California se consideran causantes de cáncer, defectos congénitos y otros trastornos del sistema reproductor.

Los gases de escape de este producto contienen sustancias químicas que en estado de California considera causantes de cáncer, defectos congénitos y otros trastornos del sistema reproductor.



Importante: Este motor no está equipado con un silenciador con parachispas. Es una infracción de la legislación de California (California Public Resource Code Section 4442) la utilización o la operación del motor en cualquier terreno de bosque, monte o terreno cubierto de hierba. Otros estados o zonas federales pueden tener leyes similares.

Este sistema de encendido por chispa cumple la norma canadiense ICES-002.

El *Manual del propietario del motor* adjunto ofrece información sobre las normas de la Agencia de protección ambiental de EE.UU. (U.S. Environmental Protection Agency/EPA) y de la Norma de control de emisiones de California (California Emission Control Regulation) sobre sistemas de emisiones, mantenimiento y garantía. Puede solicitarse un manual nuevo al fabricante del motor.

Par Neto

El par bruto o neto de este motor fue determinado en el laboratorio por el fabricante del motor con arreglo a la norma J1940 de la Society of Automotive Engineers (SAE). Debido a que el motor está configurado para cumplir los requisitos de seguridad, emisiones y operación, su potencia real en este tipo de cortacésped será significativamente menor.

Contenido

Introducción	1
Operación general	3
Operación en pendientes	3
Niños	3
Mantenimiento	4
Pegatinas de seguridad e instrucciones	5
Montaje	6
Montaje del manillar	6
Instalación de la cuerda de arranque en la guía de la cuerda	6
Llenado del cárter de aceite	6
El producto	7
Operación	8
Aperos/ Accesorios	8
Cómo llenar el depósito de combustible.....	8
Comprobación del nivel de aceite del motor.....	8
Ajuste de la altura de corte	9
Arranque del motor	9
Cómo parar el motor	10
Reciclado de los recortes.....	10
Ensacado de los recortes	10
Consejos de operación	11
Mantenimiento	12
Calendario recomendado de mantenimiento	12
Preparación para el mantenimiento	12
Mantenimiento del limpiador de aire	13
Cómo cambiar el aceite del motor	14
Cómo cambiar la cuchilla.....	14
Limpieza de los bajos de la máquina.....	15
Almacenamiento	16
Preparación de la máquina para el almacenamiento	16
Cómo plegar el manillar.....	16
Después del almacenamiento	16

Seguridad

Esta máquina cumple o supera los requisitos de seguridad de cuchillas de la Comisión de Seguridad de Productos de Consumo (CPSC) de los EE. UU. para cortacéspedes giratorios dirigidos.

Lea y comprenda el contenido de este manual antes de arrancar el motor.

El símbolo de alerta de seguridad (Figura 2) se utiliza para advertirle sobre potenciales riesgos de lesiones personales. Observe siempre todos los mensajes de seguridad que siguen a este símbolo con el fin de evitar posibles lesiones o la muerte. El uso o mantenimiento incorrectos de este cortacésped pueden causar lesiones o la muerte. Para reducir esta posibilidad, cumpla las siguientes instrucciones de seguridad.

Las siguientes instrucciones han sido adaptadas de la norma ANSI/OPEIB71.1-2003.

Esta máquina de corte es capaz de amputar manos y pies y de lanzar objetos al aire. El no observar las siguientes instrucciones de seguridad puede dar lugar a lesiones corporales graves e incluso la muerte.

Operación general

- Lea, comprenda y siga todas las instrucciones del/de los manual(es) y las colocadas en la máquina antes de arrancar ésta.
- No coloque las manos o los pies cerca de la máquina o debajo de ésta. Manténgase alejado del conducto de descarga en todo momento.
- Sólo deben utilizar esta máquina adultos responsables que estén familiarizados con las instrucciones.
- Despeje la zona de objetos tales como piedras, alambres, juguetes, etc., que podrían ser arrojados por la cuchilla. Permanezca detrás del manillar cuando el motor está en marcha.
- Asegúrese de que no haya otras personas en la zona antes de usar la máquina. Pare la máquina si alguien entra en la zona.
- No utilice la máquina estando descalzo o con sandalias. Lleve siempre calzado fuerte.
- No tire hacia atrás de la máquina a menos que sea absolutamente necesario. Antes de desplazarse hacia atrás y mientras lo hace, mire siempre hacia abajo y detrás de usted.
- No dirija nunca el material descargado hacia nadie. Evite descargar material contra una pared u otra obstrucción. El material podría rebotar hacia el operador. Pare la cuchilla al cruzar superficies de grava.
- No haga funcionar la máquina si no están colocados y funcionando el recogedor completo, el protector de descarga, el protector trasero u otros dispositivos de protección.
- No deje nunca desatendida la máquina si está funcionando.

- Pare el motor y espere hasta que la cuchilla se detenga completamente antes de limpiar la máquina, retirar el recogedor o desatascar el protector de descarga.
- Utilice la máquina solamente con luz natural o con una buena iluminación artificial.
- No utilice la máquina bajo la influencia de drogas o alcohol.
- No utilice nunca el cortacésped en hierba mojada. Asegúrese de pisar firmemente; camine; no corra nunca.
- Desengrane el sistema de transmisión, si la máquina está equipada con uno, antes de arrancar el motor.
- Si la máquina comienza a vibrar de manera anormal, pare el motor y compruebe la causa inmediatamente. La vibración suele ser un aviso de problemas.
- Siempre utilice protección ocular al usar la máquina.
- Los rayos pueden causar graves lesiones o incluso la muerte. Si se ven relámpagos o rayos o se oyen truenos en la zona, no utilice la máquina; busque un lugar donde resguardarse.
- Consulte las instrucciones del fabricante respecto a la instalación y operación correctas de los accesorios. Utilice solamente accesorios homologados por el fabricante.

Operación en pendientes

Las pendientes son una de las principales causas de accidentes por resbalones y caídas, que pueden causar lesiones graves o la muerte. En todas las pendientes y cuestas se necesita tener un cuidado especial. Si usted no se siente con confianza en una pendiente, no la siegue.

- Siegue de través las cuestas y pendientes, nunca hacia arriba o hacia abajo. Extremar las precauciones al cambiar de dirección en cuestas o pendientes.
- Esté alerta a agujeros, surcos, montículos, rocas u otros objetos ocultos. Los terrenos desiguales pueden causar caídas y resbalones. La hierba alta puede ocultar obstáculos.
- No siegue la hierba mojada o en pendientes excesivamente empinadas. Si no pisa firme, puede resbalar y caerse.
- No siegue cerca de terraplenes, fosas o taludes. Usted podría perder el equilibrio o resbalar.

Niños

Pueden ocurrir accidentes trágicos si el operador no está alerta a la presencia de niños. A menudo los niños se sienten atraídos por la máquina y la actividad de segar. **No suponga nunca** que los niños vayan a permanecer en el último lugar en que los vio.

- Mantenga a los niños alejados de la zona de siega y bajo la atenta mirada de un adulto responsable que no sea el operador.

- Esté alerta y pare el cortacésped si entran niños en la zona.
- Nunca permita a los niños utilizar la máquina.
- Extreme la precaución al acercarse a esquinas ciegas, arbustos, árboles u otros objetos que puedan impedir que usted vea un niño.

Mantenimiento

Manejo seguro de la gasolina

Para evitar lesiones personales o daños materiales, extreme las precauciones al manejar la gasolina. La gasolina es extremadamente inflamable y los vapores son explosivos.

- Apague cualquier cigarrillo, cigarro, pipa u otra fuente de ignición.
- Utilice solamente un recipiente de gasolina homologado.
- Nunca retire el tapón de combustible ni añada combustible con el motor en marcha. Deje que se enfríe el motor antes de repostar combustible.
- No reposte la máquina nunca en un recinto cerrado.
- No guarde nunca la máquina o un recipiente de combustible cerca de una llama desnuda, chispa o llama piloto, por ejemplo en un calentador de agua u otro electrodoméstico.
- No llene nunca los recipientes dentro de un vehículo o sobre la plataforma de un camión o remolque con forro de plástico. Coloque siempre los recipientes de gasolina en el suelo, lejos del vehículo, antes de llenarlos.
- Retire un equipo con motor de gasolina del camión o del remolque y repóstele en el suelo. Si esto no es posible, reposte el equipo desde un recipiente portátil, en vez de usar un surtidor o boquilla dosificadora de gasolina.
- Mantenga la boquilla en contacto con el borde del depósito de combustible o el orificio del recipiente en todo momento hasta que termine de repostar. No utilice dispositivos que mantengan abierta la boquilla.
- Si se derrama combustible sobre su ropa, cámbiese de ropa inmediatamente.
- Nunca llene demasiado el depósito de combustible. Vuelva a colocar el tapón de gasolina y apriételo firmemente.

⚠ ADVERTENCIA

Los gases de escape del motor contienen monóxido de carbono, que es un veneno inodoro que puede matarle.

No haga funcionar el motor dentro de un edificio o en un lugar cerrado.

Mantenimiento general

- No ponga la máquina en marcha en un lugar cerrado.

- Mantenga apretados todos los pernos y tuercas para asegurarse de que el equipo está en condiciones de funcionamiento seguras.
- No retire ni manipule nunca los dispositivos de seguridad. Compruebe regularmente que funcionan correctamente. No haga nada que pudiera interferir con la funcionalidad prevista de un dispositivo de seguridad o reducir la protección proporcionada por un dispositivo de seguridad.
- Mantenga la máquina libre de acumulaciones de hierba, hojas y otros residuos. Limpie cualquier derrame de aceite o combustible y retire cualquier residuo que esté empapado en combustible. Deje que la máquina se enfríe antes de almacenarla.
- Si golpea un objeto extraño, pare e inspeccione la máquina. Si es necesario, repárela antes de arrancar de nuevo.
- Nunca haga ajustes o reparaciones con el motor en marcha. Desconecte el cable de la bujía y haga masa con él contra el motor para evitar un arranque accidental.
- Compruebe frecuentemente los componentes del recogedor y el protector de descarga y sustitúyalos por piezas recomendadas por el fabricante cuando sea necesario.
- Las cuchillas del cortacésped están muy afiladas. Envuelva la cuchilla o lleve guantes, y extreme las precauciones al manejar las cuchillas.
- No cambie los ajustes del regulador del motor ni haga funcionar el motor a una velocidad excesiva.
- Revise o sustituya las pegatinas de seguridad e instrucciones cuando sea necesario.
- La mejor manera de proteger su inversión y obtener un rendimiento óptimo de sus equipos Lawn-Boy es contar siempre con piezas genuinas Lawn-Boy. Por lo que respecta a la fiabilidad, Lawn-Boy suministra piezas de repuesto diseñadas con las mismas especificaciones de ingeniería que nuestros equipos. Para su tranquilidad, exija piezas genuinas Lawn-Boy.

Transporte

- Tenga cuidado al cargar o descargar la máquina en/desde un remolque o un camión.
- Utilice rampas de ancho completo para cargar la máquina en un remolque o un camión.
- Amarre la máquina firmemente con correas, cadenas, cables o cuerdas. Tanto las correas delanteras como las traseras deben orientarse hacia abajo y hacia fuera respecto a la máquina.

Pegatinas de seguridad e instrucciones

Importante: Hay pegatinas de seguridad e instrucciones colocadas cerca de zonas de potencial peligro. Sustituya cualquier pegatina dañada.



Marca del fabricante

1. Indica que la cuchilla ha sido identificada como pieza del fabricante original de la máquina.



94-8072

CALIFORNIA SPARK ARRESTER WARNING

Operation of this equipment may create sparks that can start fires around dry vegetation. A spark arrester may be required. The operator should contact local fire agencies for laws or regulations relating to fire prevention requirements. 117-2718

117-2718



117-4143

1. Advertencia – lea el *Manual del operador*.
2. Peligro de objetos arrojados – mantenga a otras personas a una distancia prudencial de la máquina.
3. Peligro de corte/desmembramiento de mano o pie, cuchilla del cortacésped—desconecte el cable de la bujía y lea las instrucciones antes de realizar cualquier tarea de mantenimiento.
4. Peligro de corte/desmembramiento de mano o pie, cuchillas del cortacésped – no se acerque a las piezas en movimiento y mantenga colocados todos los protectores.
5. Peligro de corte/desmembramiento de mano o pie, cuchilla del cortacésped—no siegue hacia arriba/abajo en pendientes; siegue las pendientes de través; pare el cortacésped y el motor, y recoja cualquier residuo antes de empezar a segar; mire hacia atrás y hacia abajo mientras conduce en marcha atrás.

Montaje

Importante: Retire y deseche la hoja protectora de plástico que cubre el motor.

Montaje del manillar

⚠ ADVERTENCIA

Si pliega o despliega el manillar de forma incorrecta, pueden dañarse los cables, creando unas condiciones de operación inseguras.

- No dañe los cables al plegar o desplegar el manillar.
- Si un cable está dañado, póngase en contacto con el Servicio Técnico Autorizado.

1. Retire los pomos del manillar de la carcasa de la máquina (Figura 3).

Importante: Asegúrese de que los cables quedan por fuera del manillar al instalar el manillar.

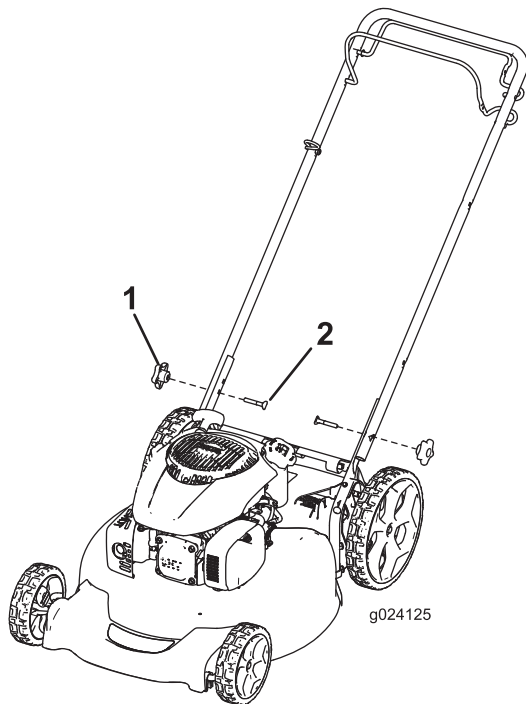


Figura 3

1. Pomo del manillar (2)
2. Perno (2)

2. Mueva el manillar a la posición de operación (Figura 3).
3. Instale los pomos del manillar y apriételos firmemente a mano.

Instalación de la cuerda de arranque en la guía de la cuerda

Importante: Para arrancar el motor de forma segura y fácil cada vez que utilice la máquina, instale la cuerda de arranque en la guía de la cuerda.

Sujete la barra de control de la cuchilla contra el manillar superior y pase la cuerda del arrancador a través de la guía del manillar (Figura 4).

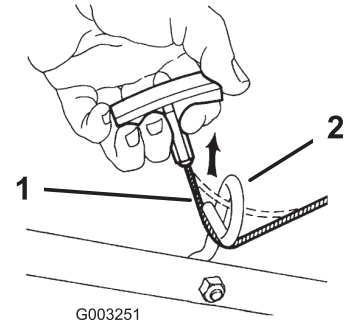


Figura 4

1. Cuerda de arranque
2. Guía de la cuerda

Llenado del cárter de aceite

Importante: Su máquina se suministra sin aceite en el motor. Antes de arrancar el motor, llene el motor de aceite.

1. Lleve la máquina a una superficie nivelada.
2. Retire la varilla (Figura 5) y vierta aproximadamente tres cuartas partes de la capacidad total del cárter por el tubo de llenado de aceite.

Nota: Capacidad máxima: 0.55 l (18.6 onzas); tipo: aceite detergente SAE 30 con clasificación de servicio API SF, SG, SH, SJ, SL o superior.

El producto

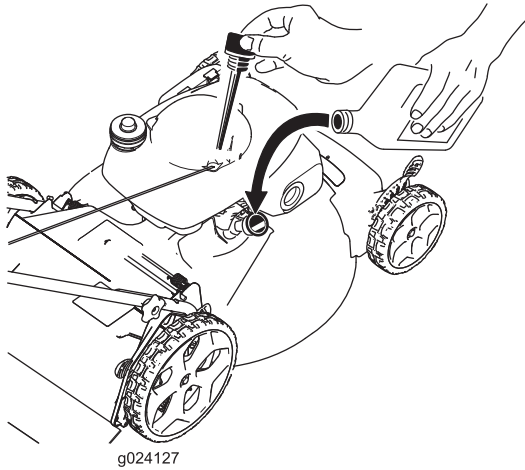
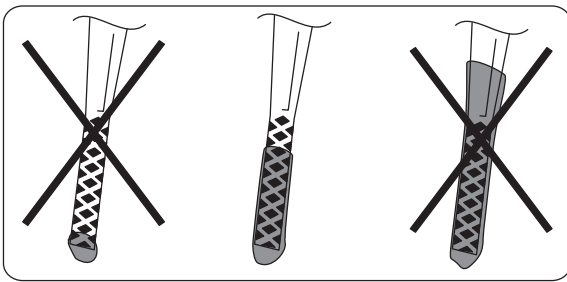


Figura 5

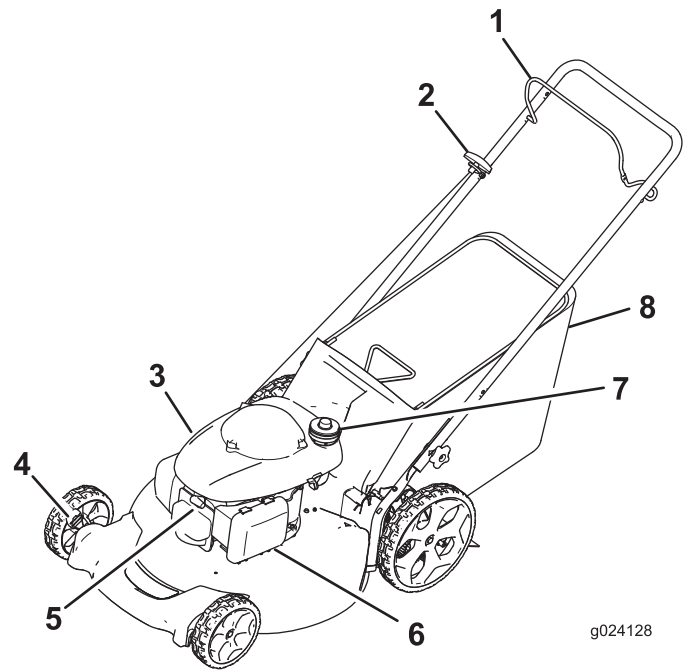


Figura 6

3. Limpie el extremo de la varilla con un paño limpio.
 4. Introduzca la varilla en el tubo de llenado de aceite, **pero no la enrosque.**
 5. Retire la varilla y compruebe el nivel de aceite en la misma (Figura 5).
 - Si el nivel de aceite es bajo, añada lentamente una pequeña cantidad de aceite por el tubo de llenado y repita los pasos 3 a 5 hasta que el nivel del aceite en la varilla sea correcto.
 - Si el nivel de aceite es alto, drene el exceso de aceite hasta que el nivel de aceite en la varilla sea correcto. Para vaciar el exceso de aceite, consulte *Cómo cambiar el aceite del motor* (página 14).
- Importante:** Si el nivel de aceite del motor es demasiado bajo o demasiado alto y usted arranca el motor, puede dañar el motor.
6. Instale la varilla firmemente.

Importante: *Cambie el aceite del motor después de las primeras 5 horas de operación, y después cada año. Consulte *Cómo cambiar el aceite del motor* (página 14).*

- | | |
|--|--------------------------------------|
| 1. Barra de control de la cuchilla | 5. Bujía |
| 2. Arrancador | 6. Limpiador de aire |
| 3. Varilla/tapón de llenado de aceite (no ilustrado) | 7. Tapón del depósito de combustible |
| 4. Palanca de altura de corte (2) | 8. Bolsa de recogida |

Operación

Aperos/Accesorios

Está disponible una selección de accesorios y aperos homologados por Lawn-Boy que pueden utilizarse con la máquina a fin de potenciar y aumentar sus prestaciones. Póngase en contacto con su Concesionario o Servicio Técnico Autorizado o visite www.Lawn-Boy.com para obtener una lista de todos los accesorios y aperos homologados.

Cómo llenar el depósito de combustible

⚠ PELIGRO

La gasolina es altamente inflamable y explosiva. Un incendio o una explosión provocado(a) por la gasolina puede causarle quemaduras a usted y a otras personas.

- Para evitar que una carga estática incendie la gasolina, coloque el recipiente y/o la máquina directamente sobre el suelo antes de repostar, no en un vehículo o sobre otro objeto.
- Llene el depósito en el exterior cuando el motor esté frío. Limpie cualquier derrame.
- No maneje gasolina si está fumando, ni cerca de una llama desnuda o chispas.
- Almacene la gasolina en un recipiente homologado y manténgala fuera del alcance de los niños.
- Para obtener los mejores resultados, utilice solamente gasolina fresca (comprada hace menos de 30 días), sin plomo, de 87 o más octanos (método de cálculo $(R+M)/2$).
- Son aceptables los combustibles oxigenados con hasta el 10% de etanol o el 15% de MTBE por volumen.
- **Etanol:** Es aceptable el uso de gasolina con hasta el 10% de etanol (gasohol) o el 15% de MTBE (éter metil tert-butílico) por volumen. El etanol y el MTBE no son lo mismo. No está autorizado el uso de gasolina con el 15% de etanol (E15) por volumen. **No utilice nunca gasolina que contenga más del 10% de etanol por volumen**, como por ejemplo la E15 (contiene el 15% de etanol), la E20 (contiene el 20% de etanol) o la E85 (contiene hasta el 85% de etanol). El uso de gasolina no autorizada puede causar problemas de rendimiento o daños en el motor que pueden no estar cubiertos bajo la garantía.
- No utilice gasolina que contenga metanol.

- No guarde combustible en el depósito de combustible o en recipientes de combustible durante el invierno a menos que haya añadido un estabilizador
- No añada aceite a la gasolina.

Importante: Para reducir los problemas de arranque, añada estabilizador de combustible al combustible durante toda la temporada, mezclándolo con gasolina comprado hace menos de 30 días.

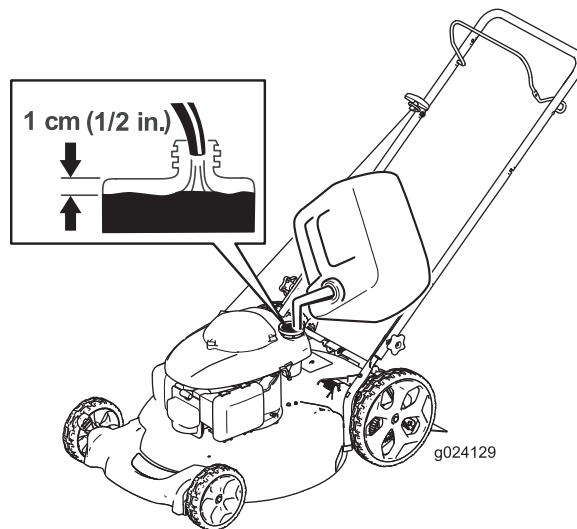


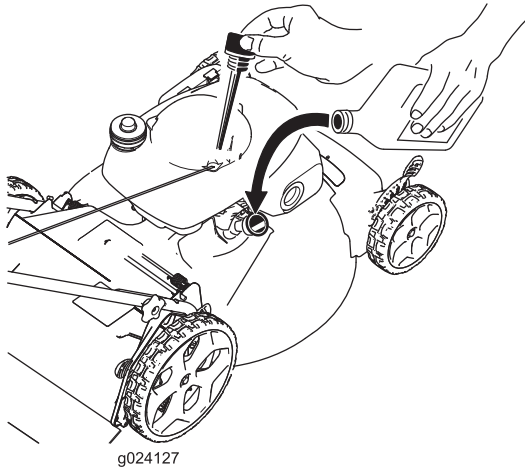
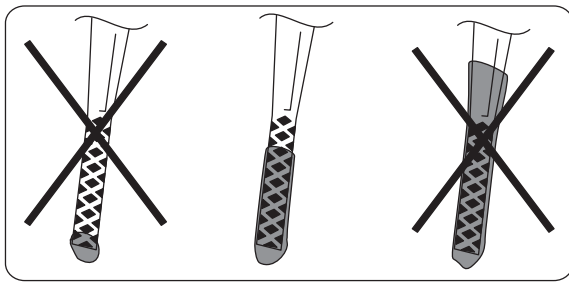
Figura 7

Comprobación del nivel de aceite del motor

Intervalo de mantenimiento: Cada vez que se utilice o diariamente

Capacidad máxima: 0.55 l (18.6 onzas), tipo: aceite detergente SAE 30 o SAE 10W-30, con clasificación de servicio API SF, SG, SH, SJ, SL o superior.

1. Lleve la máquina a una superficie nivelada.
2. Retire la varilla (Figura 8).



g024127

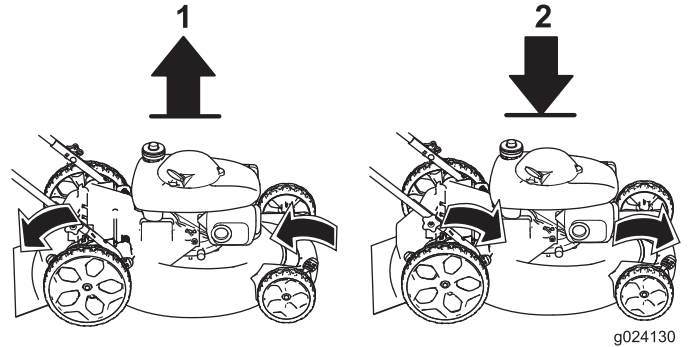
Figura 8

⚠ CUIDADO

Si el motor ha estado en marcha, el silenciador estará muy caliente y puede causarle quemaduras graves. Manténgase alejado del silenciador si éste está caliente.

Ajuste la altura de corte según desee. Ajuste las ruedas delanteras y traseras a la misma altura.

Nota: Para elevar o bajar la máquina, mueva las palancas de altura de corte según se muestra en Figura 9.



g024130

Figura 9

1. Elevar la máquina

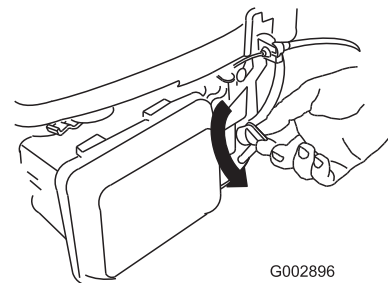
2. Bajar la máquina

3. Limpie el extremo de la varilla con un paño limpio.
 4. Introduzca la varilla en el tubo de llenado de aceite, **pero no la enrosque.**
 5. Retire la varilla y observe el nivel de aceite; consulte Figura 8.
 - Si el nivel de aceite es bajo, añada lentamente una pequeña cantidad de aceite por el tubo de llenado y repita los pasos 3 a 5 hasta que el nivel del aceite en la varilla sea correcto.
 - Si el nivel de aceite es alto, drene el exceso de aceite hasta que el nivel de aceite en la varilla sea correcto. Para vaciar el exceso de aceite, consulte Cómo cambiar el aceite del motor (página 14).
- Importante:** Si el nivel de aceite del motor es demasiado bajo o demasiado alto y usted arranca el motor, puede dañar el motor.
6. Instale la varilla firmemente.

Importante: Las alturas de corte son 32 mm (1-1/4 pulgadas), 44 mm (1-3/4 pulgadas), 57 mm (2-1/4 pulgadas), 70 mm (2-3/4 pulgadas), 83 mm (3-1/4 pulgadas) y 95 mm (3-3/4 pulgadas).

Arranque del motor

1. Gire la palanca de la válvula de combustible a la posición de Abierto (Figura 10).



G002896

Figura 10

2. Sujete la barra de control de la cuchilla contra el manillar superior (Figura 11).

Ajuste de la altura de corte

⚠ ADVERTENCIA

Al ajustar la altura de corte, usted podría tocar la cuchilla en movimiento, lo que podría causarle graves lesiones.

- Pare el motor y espere a que se detengan todas las piezas en movimiento.
- No ponga los dedos debajo de la carcasa al ajustar la altura de corte.

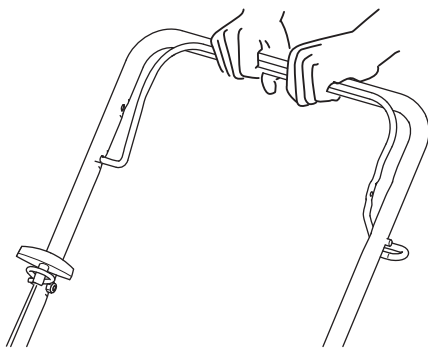


Figura 11

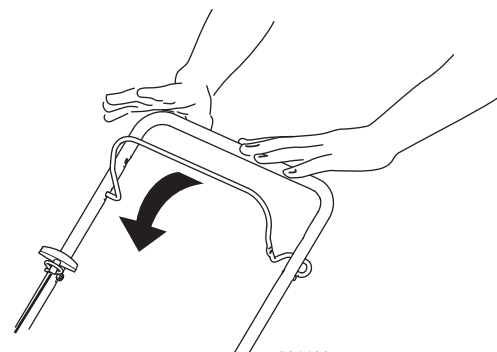


Figura 13

3. Tire de la cuerda de arranque (Figura 12).

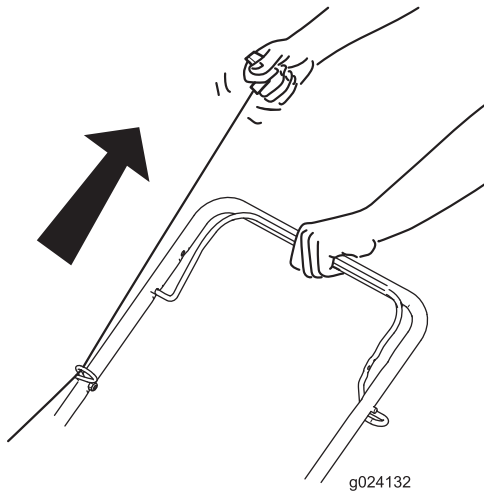


Figura 12

Nota: Si la máquina no arranca después de varios intentos, póngase en contacto con el Servicio Técnico Autorizado.

Cómo parar el motor

Intervalo de mantenimiento: Cada vez que se utilice o diariamente

Para parar el motor, suelte la barra de control de la cuchilla (Figura 13).

Importante: Cuando usted suelte la barra de control de la cuchilla, el motor y la cuchilla deberán detenerse en 3 segundos o menos. Si no se paran correctamente, deje de usar la máquina inmediatamente y póngase en contacto con un Servicio Técnico Autorizado.

Reciclado de los recortes

Su máquina viene preparada de fábrica para picar los recortes de hierba y hojas y devolverlos al césped.

Si la bolsa de recogida está instalada en la máquina, retírela antes de proceder al picado de los recortes (mulching). Consulte Cómo retirar la bolsa de recogida (página 11).

Ensamado de los recortes

Utilice la bolsa de recogida si desea recoger los recortes de hierba y hojas del césped.

⚠ ADVERTENCIA

Si la bolsa de recogida está desgastada, pueden arrojar pequeñas piedras y otros residuos hacia usted o hacia otras personas, provocando lesiones personales graves o la muerte a usted o a otras personas.

Compruebe la bolsa de recogida con frecuencia. Si está dañada, instale una bolsa de recambio Lawn-Boy nueva.

⚠ ADVERTENCIA

La cuchilla está muy afilada; cualquier contacto con la cuchilla puede causar lesiones personales graves.

Pare el motor y espere a que se detengan todas las piezas en movimiento antes de abandonar el puesto del operador.

Instalación de la bolsa de recogida

1. Levante el deflector trasero (Figura 14).

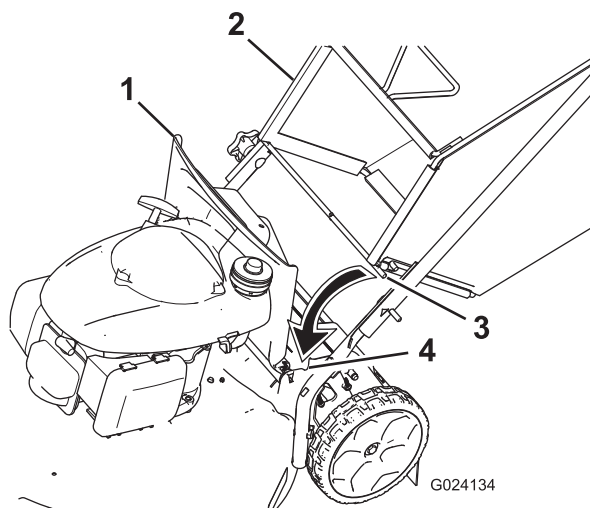


Figura 14

- | | |
|----------------------|--|
| 1. Deflector trasero | 3. Extremo de la varilla de la bolsa de recogida (2) |
| 2. Bolsa de recogida | 4. Muesca del soporte del manillar (2) |

2. Introduzca los extremos de la varilla de la bolsa de recogida en las muescas de los soportes del manillar (Figura 14).
3. Deje que el deflector trasero descansa sobre la bolsa de recogida.

Cómo retirar la bolsa de recogida

1. Levante el deflector trasero (Figura 14).
2. Retire el asa de la bolsa de recogida de las muescas de los soportes del manillar y retire la bolsa de la máquina.
3. Cierre el deflector trasero.

Consejos de operación

Consejos generales de siega

- Despeje la zona de palos, piedras, alambres, ramas y otros residuos que podrían ser golpeados por la cuchilla.
- Evite golpear objetos sólidos con la cuchilla. No siegue nunca por encima de ningún objeto.
- Si la máquina golpea un objeto o empieza a vibrar, pare inmediatamente el motor, desconecte el cable de la bujía e inspeccione la máquina en busca de daños.
- Para obtener el mejor rendimiento, instale una cuchilla nueva antes de que empiece la temporada de siega.
- Sustituya la cuchilla cuando sea preciso por una cuchilla de repuesto Lawn-Boy.

Cómo cortar la hierba

- Corte solamente un tercio de la hoja de hierba cada vez. No corte con un ajuste inferior a 44 mm (1-3/4 pulgadas) a menos que la hierba sea escasa, o a finales del otoño cuando el ritmo de crecimiento de la hierba empieza a decaer. Consulte Ajuste de la altura de corte (página 9).
- Cuando corte hierba de más de 15 cm (6 pulgadas) de alto, siegue primero usando la altura de corte más alta y camine despacio, luego siegue de nuevo a una altura menor para obtener el mejor aspecto del césped. Si la hierba es demasiado larga, puede atascar la máquina y hacer que se cale el motor.
- Siegue solamente hierba u hojas secas. La hierba mojada y las hojas mojadas tienden a pegarse al suelo, y pueden atascar la máquina o hacer que se cale el motor.

⚠ ADVERTENCIA

La hierba mojada o las hojas mojadas pueden causarle graves lesiones si usted resbala y toca la cuchilla. Siegue solamente en condiciones secas.

- Alterne la dirección de corte. Esto ayuda a dispersar los recortes en todo el césped, dando una fertilización más homogénea.
- Si el aspecto final del césped no es satisfactorio, pruebe a:
 - Cambiar la cuchilla o mandarla a afilar.
 - Caminar más despacio mientras siega.
 - Elevar la altura de corte de la máquina.
 - Cortar el césped con más frecuencia.
 - Solapar los pasillos de corte en lugar de cortar un pasillo completo en cada pasada.
 - Ajustar la altura de corte una muesca menos en las ruedas delanteras que en las traseras. Por ejemplo, ajuste las ruedas delanteras a 57 mm (2-1/4 pulgadas) y las traseras a 70 mm (2-3/4 pulgadas).

Mantenimiento

Nota: Los lados derecho e izquierdo de la máquina se determinan desde la posición normal del operador.

Calendario recomendado de mantenimiento

Intervalo de mantenimiento y servicio	Procedimiento de mantenimiento
Después de las primeras 5 horas	<ul style="list-style-type: none">• Cambie el aceite del motor.
Cada vez que se utilice o diariamente	<ul style="list-style-type: none">• Compruebe el nivel de aceite del motor.• Asegúrese de que el motor se para en el plazo de 3 segundos después de soltar la barra de control de la cuchilla.• Inspeccione el limpiador de aire; si está sucio o dañado, límpielo o sustitúyalo.
Después de cada uso	<ul style="list-style-type: none">• Limpie los recortes de hierba y la suciedad de debajo de la máquina.
Cada 25 horas	<ul style="list-style-type: none">• Limpie o sustituya el elemento del limpiador de aire (con mayor frecuencia si utiliza la máquina en condiciones de mucho polvo o arena).
Cada 100 horas	<ul style="list-style-type: none">• Limpie el sistema de refrigeración (consulte el manual del propietario del motor).• Cambie la bujía.
Antes del almacenamiento	<ul style="list-style-type: none">• Vacíe el depósito de combustible antes de efectuar reparaciones, según las instrucciones, y antes del almacenamiento anual.
Cada año	<ul style="list-style-type: none">• Cambie el aceite del motor.• Cambie la cuchilla o haga que la afilen (más a menudo si se desafilan rápidamente).• Consulte en el Manual del operador del motor procedimientos de mantenimiento anuales adicionales.

Importante: Consulte en el *Manual del operador del motor* procedimientos adicionales de mantenimiento.

Preparación para el mantenimiento

1. Pare el motor y espere a que se detengan todas las piezas en movimiento.
2. Desconecte el cable de la bujía (Figura 15) antes de realizar cualquier procedimiento de mantenimiento.

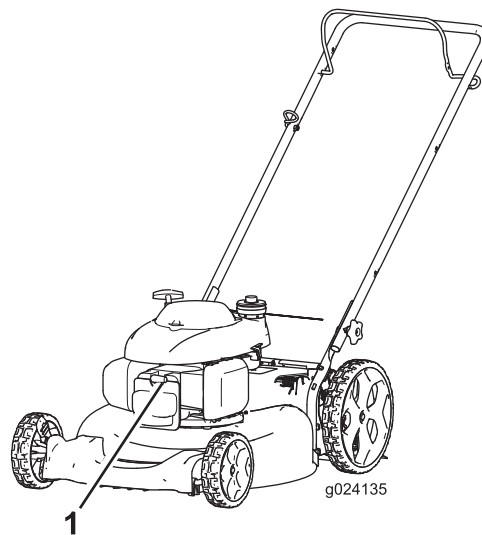


Figura 15

1. Cable de la bujía

3. Después de realizar los procedimientos de mantenimiento, conecte el cable de la bujía a la bujía.

Importante: Antes de inclinar la máquina para cambiar el aceite o sustituir la cuchilla, deje que se vacíe el depósito de combustible con el uso normal. Si es imprescindible inclinar la máquina

antes de que se acabe el combustible, utilice una bomba manual para retirar el combustible. Siempre coloque la máquina de lado (con la varilla de aceite hacia abajo).

⚠ ADVERTENCIA

Al volcar la máquina, puede haber fugas de combustible. La gasolina es inflamable y explosiva, y puede causar lesiones personales.

Deje funcionar el motor hasta que no quede combustible, o retire la gasolina con una bomba de mano; nunca utilice un sifón.

Mantenimiento del limpiador de aire

Intervalo de mantenimiento: Cada vez que se utilice o diariamente

Cada 25 horas/Cada año (lo que ocurra primero)—Limpie o sustituya el elemento del limpiador de aire (con mayor frecuencia si utiliza la máquina en condiciones de mucho polvo o arena).

1. Presione hacia abajo los cierres de la parte superior de la tapa del limpiador de aire (Figura 16).

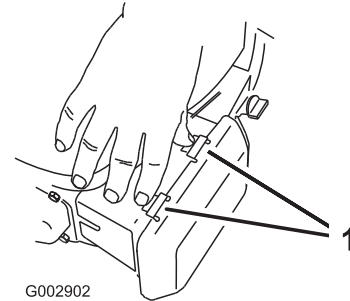


Figura 16

1. Cierres

2. Abra la tapa.
3. Retire el elemento del limpiador de aire (Figura 16).

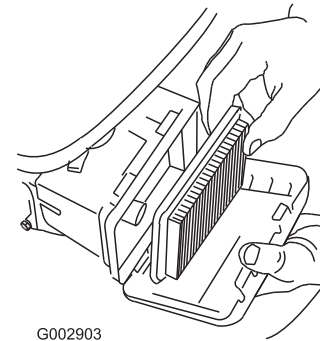


Figura 17

4. Si el elemento del limpiador de aire está dañado o si está humedecido con aceite o combustible, sustitúyalo.
5. Si el elemento del limpiador de aire está sucio, golpéelo varias veces en una superficie dura o pase aire comprimido a menos de 207 kPa (30 psi) a través del lado del filtro que está frente al motor.

Nota: No utilice un cepillo para limpiar el filtro; el cepillado obliga a la suciedad a penetrar en las fibras.

6. Elimine cualquier suciedad del cuerpo del limpiador de aire y la tapa con un trapo húmedo. **No deje que la suciedad penetre en el conducto de aire.**
7. Instale el elemento del limpiador de aire en el limpiador de aire.
8. Cierre la tapa.

Cómo cambiar el aceite del motor

Intervalo de mantenimiento: Después de las primeras 5 horas

Cada año

Haga funcionar el motor durante unos minutos antes de cambiar el aceite para calentar el aceite. El aceite caliente fluye mejor y transporta más contaminantes.

1. Lleve a cabo los procedimientos de pre-mantenimiento; consulte Preparación para el mantenimiento (página 12).
2. Retire la varilla.
3. Coloque la máquina de lado con la varilla de aceite hacia abajo para drenar el aceite usado a través del tubo de llenado de aceite (Figura 18).

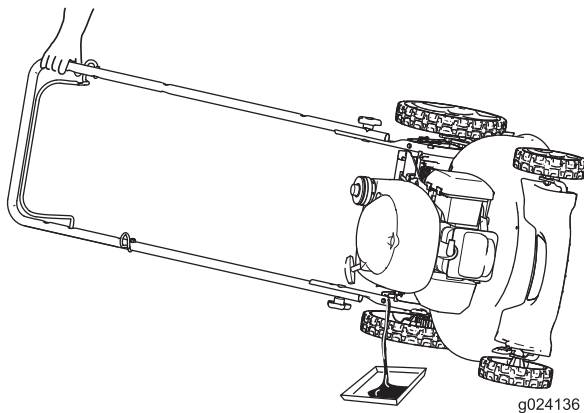


Figura 18

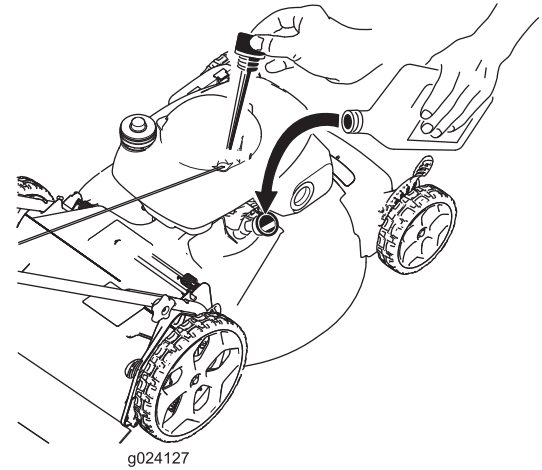
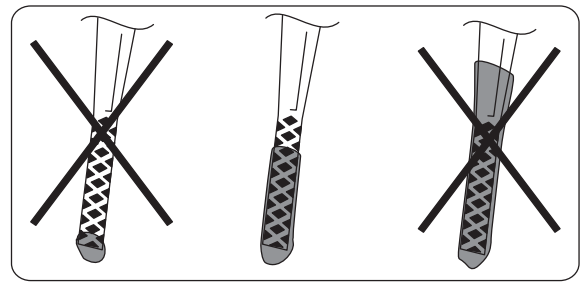


Figura 19

4. Después de drenar el aceite usado, ponga la máquina en su posición normal de uso.
5. Vierta aproximadamente tres cuartas partes de la capacidad total de aceite del cárter por el tubo de llenado.

Nota: Capacidad máxima: 0.55 l (18.6 onzas), tipo: aceite detergente SAE 30 o SAE 10W-30, con clasificación de servicio API SF, SG, SH, SJ, SL o superior.

6. Limpie el extremo de la varilla con un paño limpio.
7. Introduzca la varilla en el tubo de llenado de aceite, **pero no la enrosque.**
8. Retire la varilla y compruebe el nivel de aceite en la misma (Figura 19).

- Si el nivel de aceite es bajo, añada lentamente una pequeña cantidad de aceite por el tubo de llenado y repita los pasos 6 a 8 hasta que el nivel del aceite en la varilla sea correcto.
- Si el nivel de aceite es alto, drene el exceso de aceite hasta que el nivel de aceite en la varilla sea correcto.

Importante: Si el nivel de aceite del motor es demasiado bajo o demasiado alto y usted arranca el motor, puede dañar el motor.

9. Instale la varilla firmemente.
10. Recicle correctamente el aceite usado.

Cómo cambiar la cuchilla

Intervalo de mantenimiento: Cada año

Importante: *Usted necesitará una llave dinamométrica para instalar la cuchilla correctamente. Si no dispone de una llave dinamométrica o prefiere no realizar este procedimiento, póngase en contacto con el Servicio Técnico Autorizado.*

Examine la cuchilla cada vez que se acabe la gasolina. Si la cuchilla está dañada o agrietada, sustitúyala inmediatamente. Si el filo de la cuchilla está romo o tiene desperfectos, mande afilar la cuchilla o cámbiela.

⚠ ADVERTENCIA

La cuchilla está muy afilada; cualquier contacto con la cuchilla puede causar lesiones personales graves.

- Desconecte el cable de la bujía.
 - Lleve guantes al realizar el mantenimiento de la cuchilla.
1. Desconecte el cable de la bujía. Consulte Preparación para el mantenimiento (página 12).
 2. Coloque la máquina de lado con el filtro de aire hacia arriba.
 3. Utilice un bloque de madera para inmovilizar la cuchilla.
 4. Retire la cuchilla (gire el perno de la cuchilla en el sentido contrario a las agujas del reloj) y guarde todos los herrajes de montaje.
 5. Instale la cuchilla nueva (gire el perno de la cuchilla en el sentido de las agujas del reloj) y todos los herrajes de montaje (Figura 20).

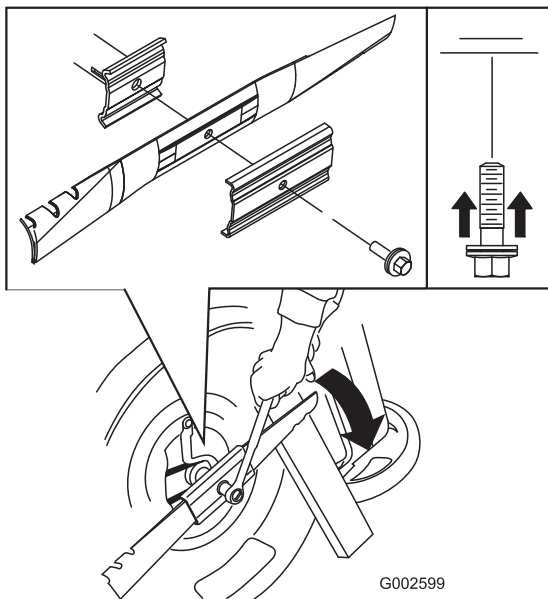


Figura 20

Importante: Coloque la cuchilla con los extremos curvos orientados hacia la carcasa de la máquina.

6. Utilice una llave dinamométrica para apretar el perno de la cuchilla a 82 N-m (60 pies-libra).

Importante: Un perno apretado a 82 Nm (60 pies-libra) queda muy firme. Mientras sujeta la cuchilla con un bloque de madera, aplique toda su fuerza a la llave y apriete el perno firmemente. Será muy difícil apretar este perno demasiado.

Limpieza de los bajos de la máquina.

Intervalo de mantenimiento: Después de cada uso

⚠ ADVERTENCIA

La máquina puede soltar material de debajo de la carcasa.

- Lleve protección ocular.
 - Permanezca en la posición de operación (detrás del manillar).
 - No permita la presencia de otras personas en la zona.
1. Con el motor en marcha sobre una superficie plana pavimentada, dirija un chorro de agua hacia delante de la rueda trasera **derecha** (Figura 21).
El agua entrará en la zona de la cuchilla, arrastrando los recortes.

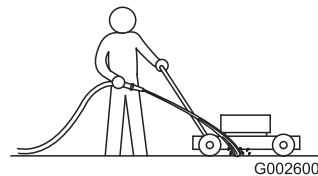


Figura 21

2. Cuando ya no salgan más recortes, cierre el grifo del agua y mueva la máquina a una zona seca.
3. Haga funcionar el motor durante unos minutos para que se seque la carcasa, evitando que se oxide.

Almacenamiento

Almacene la máquina en un lugar fresco, limpio y seco.

Preparación de la máquina para el almacenamiento

⚠ ADVERTENCIA

Los vapores de la gasolina pueden explotar.

- No guarde la gasolina durante más de 30 días.
 - No guarde la máquina en un lugar cerrado cerca de una llama desnuda.
 - Deje que se enfríe el motor antes de guardarlo.
1. En el último repostaje del año, añada estabilizador al combustible siguiendo las instrucciones del fabricante del motor.
 2. Haga funcionar la máquina hasta que el motor se pare por haberse quedado sin gasolina.
 3. Cebe el motor y arránquelo de nuevo.
 4. Deje que funcione el motor hasta que se pare. Cuando ya no se puede arrancar el motor, está suficientemente seco.
 5. Desconecte el cable de la bujía.
 6. Retire la bujía, añada 30 ml de aceite a través del orificio de la bujía, y tire de la cuerda de arranque **lentamente** varias veces para que se distribuya el aceite por el cilindro, con el fin de evitar la corrosión durante el periodo de inactividad.
 7. Instale la bujía y apriétela con una llave dinamométrica a 20 N-m (15 pies-libra).
 8. Apriete todos los pernos, tuercas y tornillos.

Cómo plegar el manillar

⚠ ADVERTENCIA

Si pliega o despliega el manillar de forma incorrecta, pueden dañarse los cables, creando unas condiciones de operación inseguras.

- No dañe los cables al plegar o desplegar el manillar.
 - Si un cable está dañado, póngase en contacto con el Servicio Técnico Autorizado.
1. Afloje los pomos del manillar hasta que pueda mover el manillar libremente (Figura 22).

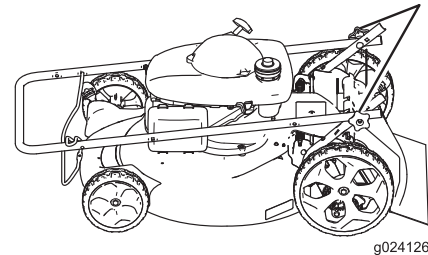
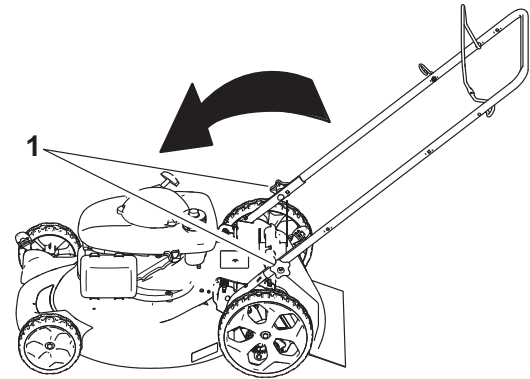


Figura 22

1. Pomo del manillar (2)
-
2. Mueva del manillar hacia adelante según se indica en Figura 22.

Después del almacenamiento

1. Retire la bujía y haga girar el motor rápidamente usando el arrancador de retroceso para eliminar el exceso de aceite del cilindro.
2. Instale la bujía y apriétela con una llave dinamométrica a 20 N-m (15 pies-libra).
3. Conecte el cable de la bujía a la bujía.

Notas:



La Garantía de tranquilidad Lawn-Boy

Una garantía completa de 2 años (Garantía limitada de 45 días para el uso comercial)

Cortacéspedes dirigidos de 51 cm (21 pulgadas)
con mulching/ensacado trasero

El compromiso de arranque True Start de Lawn-Boy

Una garantía completa de 3 años (no aplicable al uso comercial)

Condiciones y productos cubiertos

Lawn-Boy Inc. y su afiliado, Lawn-Boy Warranty Company, bajo un acuerdo entre sí, prometen conjuntamente reparar el producto Lawn-Boy nombrado a continuación, si ha sido usado con propósitos residenciales*, si tiene defectos de materiales o mano de obra o si deja de funcionar debido al fallo de un componente, o si el motor Lawn-Boy True Start no arranca en el primer o segundo intento, siempre que se haya realizado todo el mantenimiento rutinario indicado en el *Manual del operador*.

Esta garantía cubre el coste de piezas y mano de obra, pero usted debe pagar los costes de transporte.

Los siguientes plazos son aplicables desde la fecha de la compra:

Productos	Periodo de garantía
Cortacéspedes de 51 cm (21 pulgadas) con mulching/ensacado trasero y accesorios	Garantía completa de 2 años
Compromiso de arranque True Start	Garantía completa de 3 años
Motor	Garantía completa de 3 años
Batería	Garantía completa de 1 año
Componentes sujetos a desgaste (correas, cuchillas, adaptadores de cuchilla, bolsas de recogida, cables y ruedas)	90 días

Garantía limitada para el uso comercial*

Los productos de gasolina Lawn-Boy utilizados con propósitos comerciales, institucionales o de alquiler están garantizados durante 45 días contra defectos en materiales o mano de obra. Los componentes que fallan debido al uso y desgaste normales no están cubiertos por esta garantía.

El Compromiso True Start no es aplicable cuando el producto es usado con fines comerciales*.

Instrucciones para obtener asistencia bajo la garantía

Si usted cree que su Producto Lawn-Boy tiene un defecto de materiales o mano de obra, o si un adulto de capacidad normal ya no puede arrancar el motor de su producto con uno o dos intentos, siga este procedimiento:

1. Póngase en contacto con cualquier Servicio Técnico Lawn-Boy Autorizado para concertar el mantenimiento en sus instalaciones. Para localizar un distribuidor cerca de usted, consulte las *Páginas Amarillas* telefónicas (mire en "cortacéspedes") o visite nuestro sitio web en www.Lawn-Boy.com. También puede llamar a los números que aparecen en el apartado 3 para usar el sistema de localización de Distribuidores Lawn-Boy las 24 horas al día.
2. Lleve el producto y su prueba de compra (recibo o factura de venta) al Distribuidor. El distribuidor diagnosticará el problema y determinará si está cubierto por la garantía.
3. Si por alguna razón usted no está satisfecho con el análisis del Distribuidor o con la asistencia recibida, póngase en contacto con nosotros en la dirección siguiente:

Customer Care Department
Lawn-Boy Inc.
8111 Lyndale Avenue South
Bloomington, MN 55420-1196
Teléfono gratuito: 866-216-6032 (clientes de EE.UU.)
Teléfono gratuito: 866-216-6031 (clientes de Canadá)

Responsabilidades del Propietario

Usted debe mantener su Producto Lawn-Boy siguiendo los procedimientos de mantenimiento descritos en el *Manual del operador*. Dicho mantenimiento rutinario, sea realizado por un distribuidor o por usted mismo, es por cuenta de usted.

Elementos y condiciones no cubiertos

No hay otra garantía expresa salvo la cobertura especial de sistemas de emisión y la garantía sobre motores en algunos productos. Esta garantía expresa no cubre:

- El coste de mantenimiento regular, servicio o piezas, como por ejemplo filtros, combustible, lubricantes, cambios de aceite, bujías, filtros de aire, afilado de cuchillas o cuchillas desgastadas, ajustes de cables/acoplamientos o ajustes de frenos y embragues
- Componentes que fallan debido al desgaste normal
- Cualquier producto o pieza que haya sufrido modificaciones, abusos o negligencia y que necesite ser sustituido o reparado debido a accidente o falta de mantenimiento adecuado
- Costes de recogida y entrega
- Reparaciones o intentos de reparación por parte de personas no pertenecientes a un Servicio Técnico Lawn-Boy Autorizado
- Reparaciones necesarias por no haber seguido el procedimiento recomendado respecto al combustible (consulte el *Manual del operador* para obtener más detalles)
 - La eliminación de contaminantes del sistema de combustible no está cubierta
 - El uso de combustible viejo (de más de un mes de edad) o combustible que contenga más del 10% de etanol o el 15% de MTBE
 - El no drenar el sistema de combustible antes de un periodo de inactividad de más de un mes
- Reparaciones o ajustes para corregir problemas de arranque debidos a lo siguiente:
 - No se han seguido los procedimientos correctos de mantenimiento o el procedimiento recomendado respecto al combustible
 - Una cuchilla del cortacésped rotativo ha golpeado un objeto
- Condiciones de operación especiales que pueden requerir más de dos intentos de arranque:
 - Primer arranque después de un periodo extendido de inactividad superior a tres meses o de almacenamiento estacional
 - Arranque a baja temperatura, por ejemplo al inicio de la primavera o al final del otoño
 - Procedimientos de arranque incorrectos - si tiene dificultad al arrancar su unidad, revise el *Manual del operador* para asegurarse de que está siguiendo los procedimientos de arranque correctos. Esto puede ahorrarle una visita innecesaria al Servicio Técnico Autorizado de Lawn-Boy.

Condiciones Generales

Todas las reparaciones cubiertas por estas garantías deben ser realizadas por un Servicio Técnico Lawn-Boy Autorizado usando piezas de repuesto aprobados por Lawn-Boy. La reparación por un Distribuidor Autorizado Lawn-Boy es su único remedio bajo esta garantía.

Ni Lawn-Boy Inc. ni Lawn-Boy Warranty Company son responsables de daños indirectos, incidentales o consecuentes respecto al uso de los Productos Lawn-Boy cubiertos por estas garantías, incluyendo cualquier coste o gasto por la provisión de equipos de sustitución o servicios durante periodos razonables de mal funcionamiento o no utilización hasta la terminación de reparaciones bajo estas garantías.

Algunos estados no permiten exclusiones de daños incidentales o consecuentes, de manera que las exclusiones arriba citadas pueden no ser aplicables a usted.

Esta garantía le otorga a usted derechos legales específicos; es posible que usted tenga otros derechos que varían de un estado a otro.

Países fuera de Estados Unidos o Canadá

Los clientes que compraron productos Lawn-Boy exportados de los Estados Unidos o Canadá deben ponerse en contacto con su Distribuidor Lawn-Boy para obtener pólizas de garantía para su país, provincia o estado. Si por cualquier razón usted no está satisfecho con el servicio ofrecido por su Distribuidor, o si tiene dificultad en obtener información sobre la garantía, póngase en contacto con el importador Lawn-Boy. Si fallan todos los demás recursos, puede ponerse en contacto con nosotros en Lawn-Boy Warranty Company.

Ley de Consumo de Australia: Los clientes australianos encontrarán información sobre la Ley de Consumo de Australia dentro de la caja o a través de su concesionario Lawn-Boy local.

* "Propósito residencial" significa el uso del producto en la misma parcela en que se encuentra su vivienda. El uso en más de un lugar, o el uso institucional o alquiler, se considera como uso comercial y sería aplicable la garantía de uso comercial.



Tondeuse déchiqueteuse/à bac arrière de 53 cm (21 pouces)

Form No. 3379-758 Rev A

N° de modèle 10736—N° de série 314000001 et suivants

Manuel de l'utilisateur



Complétez la *Formule de commande d'éjecteur* et recevez gratuitement un éjecteur latéral quand vous enregistrez votre produit sur www.Lawn-Boy.com! Veuillez prévoir un délai de quatre à cinq semaines pour la livraison.

Introduction

Cette tondeuse à lame rotative autotractée est destinée au grand public. Elle est principalement conçue pour tondre les pelouses entretenues régulièrement dans les terrains privés. Elle n'est pas conçue pour couper les broussailles ni pour un usage agricole.

Lisez attentivement cette notice pour apprendre comment utiliser et entretenir correctement votre produit, et éviter de l'endommager ou de vous blesser. Vous êtes responsable de l'utilisation sûre et correcte du produit.

Vous pouvez contacter Lawn-Boy directement à www.Lawn-Boy.com pour tout renseignement concernant un produit ou un accessoire, pour obtenir l'adresse d'un dépositaire ou pour enregistrer votre produit.

Lorsque vous contactez un distributeur ou un réparateur Lawn-Boy agréé pour l'entretien de votre machine, pour procurer des pièces Lawn-Boy d'origine ou pour obtenir des renseignements complémentaires, vous devez lui fournir les numéros de modèle et de série du produit. La Figure 1 indique l'emplacement des numéros de modèle et de série du produit. Inscrivez les numéros dans l'espace réservé à cet effet.

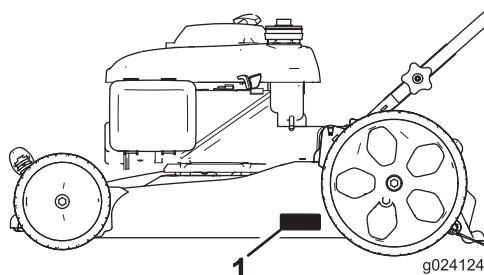


Figure 1

1. Plaque des numéros de modèle et de série

N° de modèle _____
N° de série _____

Les mises en garde de ce manuel soulignent les dangers potentiels et sont signalées par le symbole de sécurité (Figure 2), qui indique un danger pouvant entraîner des blessures graves ou mortelles si les précautions recommandées ne sont pas respectées.



Figure 2

1. Symbole de sécurité

Ce manuel utilise deux termes pour faire passer des renseignements essentiels. **Important**, pour attirer l'attention sur des informations mécaniques spécifiques et **Remarque**, pour insister sur des informations d'ordre général méritant une attention particulière.

ATTENTION

CALIFORNIE

Proposition 65 - Avertissement

Ce produit contient une ou des substances chimiques considérées par l'état de Californie comme cause de cancers, malformations congénitales et autres troubles de la reproduction.

Les gaz d'échappement de cette machine contiennent des substances chimiques considérées par l'état de Californie comme cause de cancers, malformations congénitales et autres troubles de la reproduction.



Table des matières

Introduction	1
Consignes générales d'utilisation.....	3
Utilisation sur pente.....	3
Enfants.....	3
Entretien.....	4
Autocollants de sécurité et d'instruction	5
Mise en service	6
Fixation du guidon	6
Montage du câble du lanceur dans le guide.....	6
Plein d'huile moteur.....	6
Vue d'ensemble du produit	7
Utilisation	7
Outils etc accessoires	7
Remplissage du réservoir de carburant.....	8
Contrôle du niveau d'huile moteur	8
Réglage de la hauteur de coupe	9
Démarrage du moteur.....	9
Arrêt du moteur	10
Déchiquetage.....	10
Ramassage de l'herbe coupée.....	10
Conseils d'utilisation	11
Entretien	12
Programme d'entretien recommandé	12
Préparation à l'entretien.....	12
Entretien du filtre à air	13
Vidange et remplacement de l'huile moteur	13
Remplacement de la lame	14
Nettoyage du dessous de la machine	15
Remisage	15
Préparation de la machine au remisage	15
Pliage du guidon.....	15
Remise en service après remisage	16

Important: Le moteur de cette machine n'est pas équipé d'un silencieux avec pare-étincelles. L'utilisation de cette machine dans une zone boisée, broussailleuse ou recouverte d'herbe constitue une infraction à la section 4442 du Code des ressources publiques de Californie (CPRC). D'autres états ou régions fédérales peuvent être régis par des lois similaires.

Ce système d'allumage par étincelle est conforme à la norme canadienne ICES-002.

Le Manuel du propriétaire du moteur ci-joint est fourni à titre informatif concernant la réglementation de l'Agence américaine pour la protection de l'environnement (EPA) et la réglementation antipollution de l'état de Californie relative aux systèmes antipollution, à leur entretien et à leur garantie. Vous pouvez vous en procurer un nouvel exemplaire en vous adressant au constructeur du moteur.

Couple net

Le couple brut ou net de ce moteur a été calculé en laboratoire par le constructeur du moteur selon la norme SAE J1940 de la Society of Automotive Engineers. Étant configuré pour satisfaire aux normes de sécurité, antipollution et d'exploitation, le moteur monté sur cette classe de tondeuse aura un couple effectif nettement inférieur.

Sécurité

Cette machine est conforme ou supérieure aux normes de sécurité CPSC relatives aux lames pour tondeuses autotractées.

Lisez et assimilez le contenu de ce manuel avant de mettre le moteur en marche.

Le symbole de sécurité (Figure 2) signale des dangers potentiels susceptibles de causer des blessures. Respectez tous les messages de sécurité qui suivent ce symbole pour éviter des accidents, potentiellement mortels. L'usage ou l'entretien incorrect de cette tondeuse peut occasionner des accidents, parfois mortels. Pour réduire les risques, respectez les consignes de sécurité suivantes.

Les instructions qui suivent sont adaptées de la norme ANSI/OPEI B71.1-2003.

Cette tondeuse peut sectionner les mains et les pieds, et projeter des objets. Des accidents graves ou mortels peuvent se produire si les consignes de sécurité suivantes ne sont pas respectées.

Consignes générales d'utilisation

- Vous devez lire, comprendre et respecter toutes les instructions qui figurent sur la machine et dans le(s) manuel(s) avant de démarrer.
- N'approchez pas les mains ou les pieds de la machine. Ne vous tenez jamais devant l'ouverture d'éjection.
- Seules les personnes adultes responsables qui ont pris connaissance des instructions sont autorisées à utiliser cette machine.
- Débarrassez la zone de travail des pierres, jouets, câbles, etc. qui pourraient être projetés par la lame. Restez derrière le guidon quand le moteur est en marche.
- Vérifiez que personne ne se trouve dans la zone de travail avant d'utiliser la machine. Arrêtez la machine si quelqu'un entre dans la zone de travail.
- N'utilisez pas la machine pieds nus ou chaussé de sandales. Portez toujours des chaussures solides.
- Ne tirez jamais la machine en arrière, sauf en cas d'absolue nécessité. Vérifiez toujours si la voie est libre juste derrière la machine et sur sa trajectoire avant de reculer.
- Ne dirigez jamais l'éjection vers qui que ce soit. N'éjectez pas l'herbe coupée contre un mur ou un obstacle. Elle pourrait être renvoyée vers l'opérateur. Arrêtez la lame quand vous passez sur du gravier.
- N'utilisez pas la machine si le bac à herbe au complet, le déflecteur d'éjection, le déflecteur arrière ou autres dispositifs de sécurité ne sont pas installés et en parfait état de marche.
- Ne laissez jamais la machine en marche sans surveillance.

- Arrêtez le moteur et attendez l'arrêt complet de la lame avant de nettoyer la machine, de retirer le bac à herbe ou de déboucher le déflecteur d'éjection.
- Travaillez uniquement à la lumière du jour ou avec un bon éclairage artificiel.
- N'utilisez pas la machine sous l'emprise de l'alcool, de drogues ou de médicaments.
- N'utilisez jamais la machine sur de l'herbe humide. Veillez à ne pas perdre l'équilibre; avancez à une allure normale, ne courez pas.
- Désengagez le système d'entraînement, le cas échéant, avant de mettre le moteur en marche.
- Si la machine se met à vibrer de façon anormale, coupez le moteur et cherchez-en immédiatement la cause. Les vibrations indiquent généralement la présence d'un problème.
- Protégez-vous toujours les yeux quand vous utilisez la machine.
- La foudre peut provoquer des blessures graves ou mortelles. Si vous voyez des éclairs ou que vous entendez le tonnerre à proximité, n'utilisez pas la machine et mettez-vous à l'abri.
- Reportez-vous aux instructions du constructeur concernant l'utilisation et le montage d'accessoires. N'utilisez que les accessoires agréés par le constructeur.

Utilisation sur pente

Les pentes peuvent augmenter significativement les risques de dérapage ou de chute qui peuvent entraîner des blessures graves. Les manœuvres sur pentes, quelles qu'elles soient, demandent une attention particulière. Ne travaillez pas sur les pentes sur lesquelles vous ne vous sentez pas à l'aise.

- Travaillez transversalement à la pente, jamais vers le haut ou vers le bas. Soyez extrêmement prudent lorsque vous changez de direction sur un terrain en pente.
- Méfiez-vous des trous, ornières, bosses, rochers ou autres obstacles cachés. Les irrégularités de terrain peuvent vous faire déraiper et provoquer votre chute. L'herbe haute peut masquer les accidents du terrain.
- Ne tondez pas quand l'herbe est humide ni sur des pentes raides. Vous pourriez glisser et vous blesser en tombant.
- Ne tondez pas à proximité de dénivellations, fossés ou berges. Vous pourriez glisser ou perdre l'équilibre.

Enfants

Des accidents tragiques peuvent survenir si l'utilisateur ne sait pas que des enfants sont présents. Les enfants sont souvent attirés par la machine et l'activité de tonte. Ne partez **jamais** du principe que les enfants se trouvent encore là où vous les avez vus pour la dernière fois.

- Veillez à ce que les enfants restent hors de la zone de travail, sous la garde d'un adulte responsable autre que l'utilisateur.

- Montrez-vous vigilant et coupez le moteur de la tondeuse si un enfant pénètre dans la zone de travail.
- Ne laissez jamais un enfant utiliser la machine.
- Soyez particulièrement prudent à l'approche de tournants aveugles, de buissons, d'arbres ou d'autres objets susceptibles de dissimuler un enfant à votre vue.

Entretien

Manipulation sécuritaire de l'essence

Pour éviter de vous blesser ou de causer des dommages matériels, manipulez l'essence avec une extrême prudence. L'essence est extrêmement inflammable et ses vapeurs sont explosives.

- Éteignez cigarettes, cigares, pipes et autres sources d'étincelles.
- N'utilisez que des bidons à essence homologués.
- N'enlevez jamais le bouchon du réservoir et n'ajoutez jamais de carburant lorsque le moteur est en marche. Laissez refroidir le moteur avant de faire le plein.
- Ne faites jamais le plein de carburant à l'intérieur d'un local.
- Ne jamais remisez pas la machine ni les bidons de carburant à proximité d'une flamme nue, d'une source d'étincelles ou d'une veilleuse, telle celle d'un chauffe-eau ou d'autres appareils.
- Ne remplissez jamais les bidons de carburant à l'intérieur d'un véhicule ou sur le plateau d'une remorque dont le revêtement est en plastique. Posez toujours les bidons sur le sol, à l'écart du véhicule, avant de les remplir.
- Descendez la machine à moteur à essence du véhicule ou de la remorque et posez-la à terre avant de remplir le réservoir de carburant. Si ce n'est pas possible, laissez la machine dans le véhicule ou sur la remorque, mais remplissez le réservoir à l'aide d'un bidon, et non directement à la pompe.
- Maintenez le pistolet en contact avec le bord du réservoir ou du bidon jusqu'à la fin du ravitaillement. N'utilisez pas un dispositif de verrouillage du pistolet en position ouverte.
- Si du carburant s'est répandu sur vos vêtements, changez-vous immédiatement.
- Ne remplissez jamais excessivement le réservoir de carburant. Remettez le bouchon du réservoir de carburant en place et serrez-le solidement.

⚠ ATTENTION

Les gaz d'échappement contiennent du monoxyde de carbone, un gaz inodore mortel.

Ne faites pas tourner le moteur à l'intérieur d'un local fermé.

Entretien général

- Ne faites jamais tourner le moteur dans un local fermé.
- Gardez tous les écrous et boulons bien serrés pour être sûr de pouvoir utiliser la machine sans danger.
- N'enlevez et ne modifiez jamais les dispositifs de sécurité. Vérifiez régulièrement qu'ils fonctionnent correctement. Ne cherchez jamais à modifier la fonction prévue d'un dispositif de sécurité ni à réduire la protection qu'il assure.
- Ne laissez pas l'herbe, les feuilles ou d'autres débris s'accumuler sur la machine. Nettoyez les coulées éventuelles d'huile ou de carburant et éliminez les débris imbibés de carburant. Laissez refroidir la machine avant de la remiser.
- Si vous heurtez un obstacle, arrêtez et examinez la machine. Effectuez les réparations nécessaires avant de mettre la machine en marche.
- N'effectuez jamais de réglages ou de réparations lorsque le moteur est en marche. Débranchez le fil de la bougie d'allumage et mettez-le à la masse contre le moteur pour éviter les démarrages accidentels.
- Vérifiez fréquemment l'état des composants du bac à herbe et du déflecteur d'éjection, et remplacez les pièces qui en ont besoin par des pièces recommandées par le constructeur.
- Les lames de la tondeuse sont tranchantes. Manipulez toujours les lames avec des gants ou en les enveloppant dans un chiffon, et toujours avec la plus grande prudence.
- Ne modifiez pas le réglage du régulateur et ne faites pas tourner le moteur en surrégime.
- Remplacez les autocollants d'instruction ou de sécurité manquants ou endommagés au besoin.
- Pour protéger au mieux votre investissement et maintenir les performances optimales de votre matériel Lawn-Boy, vous pouvez compter sur les pièces Lawn-Boy d'origine. Pour assurer une excellente fiabilité, Lawn-Boy fournit des pièces de rechange conçues en fonction des spécifications techniques exactes de votre machine. Pour votre tranquillité d'esprit, exigez des pièces Lawn-Boy d'origine.

Transport

- Procédez avec prudence pour charger la machine sur une remorque ou un camion, ainsi que pour la décharger.
- Utilisez des rampes d'une seule pièce pour charger la machine sur une remorque ou un véhicule.
- Arrimez solidement la machine au moyen de sangles, chaînes, câbles ou cordes. Les sangles avant et arrière doivent être dirigées vers le bas et l'extérieur de la machine.

Autocollants de sécurité et d'instruction

Important: Les autocollants de sécurité et d'instruction sont placés près des endroits potentiellement dangereux. Remplacez les autocollants endommagés.



Marque du fabricant

1. Identifie la lame comme provenant du constructeur d'origine de la machine.



94-8072

CALIFORNIA SPARK ARRESTER WARNING

Operation of this equipment may create sparks that can start fires around dry vegetation. A spark arrester may be required. The operator should contact local fire agencies for laws or regulations relating to fire prevention requirements. 117-2718

117-2718



117-4143

1. Attention – lisez le *Manuel de l'utilisateur*.
2. Risque de projection d'objets – tenez les spectateurs à bonne distance de la machine.
3. Risque de coupure/mutilation des mains ou des pieds par la lame du tablier de coupe – débranchez la bougie et lisez les instructions avant d'entreprendre un entretien ou une révision.
4. Risque de coupure/mutilation des mains et pieds par la lame – ne vous approchez pas des pièces mobiles et gardez toutes les protections en place.
5. Risque de coupure/mutilation des mains et pieds par la lame – n'utilisez pas la machine dans le sens de la pente, mais toujours transversalement; arrêtez la machine et le moteur, ramassez les débris avant de tondre; vérifiez toujours si la voie est libre juste derrière la machine et sur sa trajectoire avant de faire marche arrière.

Mise en service

Important: Retirez et mettez au rebut la pellicule de plastique qui protège le moteur.

Fixation du guidon

⚠ ATTENTION

Vous risquez d'endommager les câbles et de rendre la machine dangereuse à utiliser si vous pliez ou dépliez mal le guidon.

- Veillez à ne pas endommager les câbles en pliant ou dépliant le guidon.
- Si un câble est endommagé, adressez-vous à un réparateur agréé.

1. Retirez les boutons du guidon sur le carter de la machine (Figure 3).

Important: Faites passer les câbles à l'extérieur du guidon pendant que vous montez le guidon.

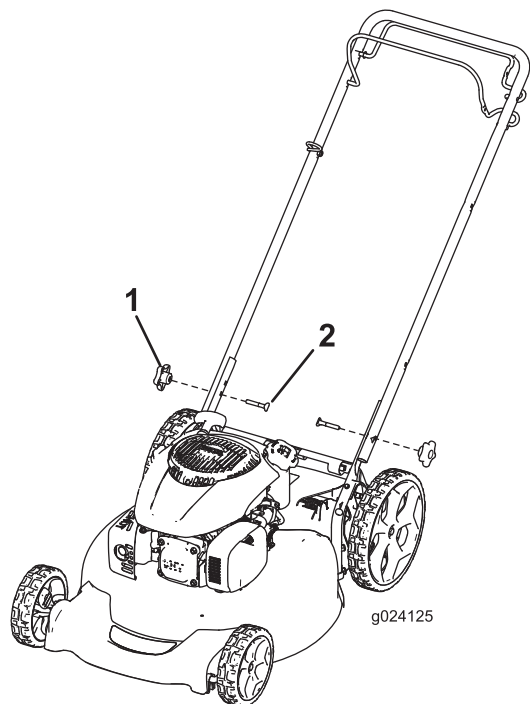


Figure 3

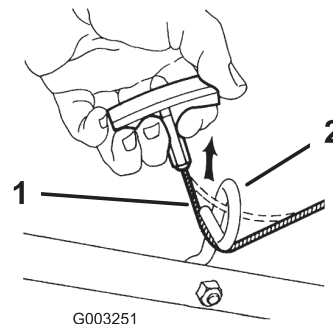
1. Bouton du guidon (2)
2. Boulon (2)

2. Placez le guidon en position d'utilisation (Figure 3).
3. Mettez les boutons du guidon en place et serrez-les fermement à la main.

Montage du câble du lanceur dans le guide

Important: Pour démarrer le moteur facilement et en toute sécurité chaque fois que vous utilisez la machine, installez le câble du lanceur dans le guide.

Maintenez la barre de commande des lames contre la partie supérieure du guidon et tirez le câble à travers le guide sur le guidon (Figure 4).



G003251

Figure 4

1. Câble du lanceur
2. Guide de câble

Plein d'huile moteur

Important: Le carter moteur de cette machine est vide à la livraison. Avant de mettre le moteur en marche, faites le plein d'huile moteur.

1. Amenez la machine sur un sol plat et horizontal.
2. Retirez la jauge (Figure 5) et versez de l'huile dans le goulot de remplissage pour remplir le carter jusqu'aux 3/4.

Remarque: Remplissage max. : 0,55 l (18,6 oz), type : huile détergente SAE 30 de classe de service API SF, SG, SH, SJ, SL ou supérieure.

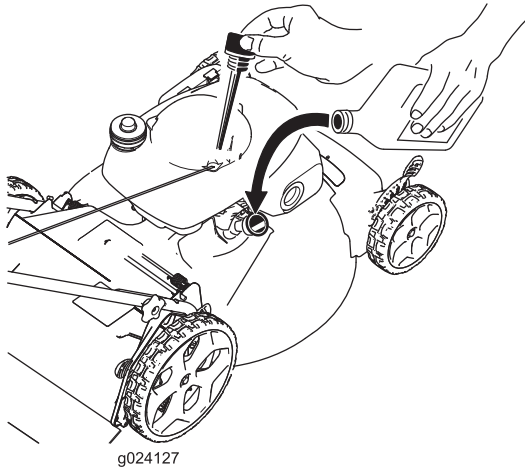
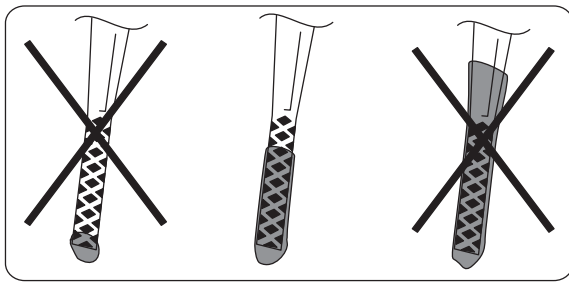


Figure 5

Vue d'ensemble du produit

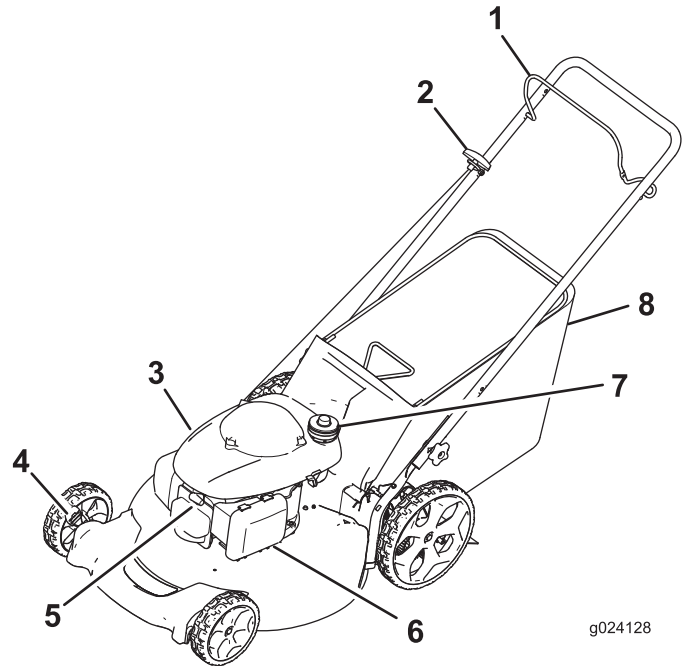


Figure 6

3. Essuyez l'extrémité de la jauge avec un chiffon propre.
4. Insérez la jauge dans le goulot de remplissage, **sans la visser.**
5. Sortez de nouveau la jauge et vérifiez le niveau d'huile (Figure 5).
 - Si le niveau est trop bas, versez lentement une petite quantité d'huile dans le goulot de remplissage et répétez les opérations 3 à 5 jusqu'à ce que la jauge indique le niveau d'huile correct.
 - Si le niveau d'huile est trop élevé, vidangez l'excédent d'huile jusqu'à obtention du niveau d'huile correct sur la jauge. Pour vidanger l'excédent d'huile, voir Vidange et remplacement de l'huile moteur (page 13).

Important: Si vous faites tourner le moteur alors que le niveau d'huile dans le carter est trop bas ou trop élevé, vous risquez d'endommager le moteur.

6. Revissez la jauge fermement en place.

Important: Changez l'huile moteur après les 5 premières heures de fonctionnement, puis une fois par an Reportez-vous à Vidange et remplacement de l'huile moteur (page 13).

- | | |
|---|--------------------------------------|
| 1. Barre de commande des lames | 5. Bougie |
| 2. Poignée du lanceur | 6. Filtre à air |
| 3. Goulot de remplissage/jauge (non représenté) | 7. Bouchon du réservoir de carburant |
| 4. Levier de hauteur de coupe (2) | 8. Bac à herbe |

Utilisation

Outils etc accessoires

De nombreux outils et accessoires agréés par Lawn-Boy est disponible pour augmenter et améliorer les capacités de la machine. Contactez votre dépositaire-réparateur ou distributeur agréé ou rendez-vous sur www.Lawn-Boy.com pour obtenir une liste de tous les accessoires et outils agréés.

Remplissage du réservoir de carburant

⚠ DANGER

L'essence est extrêmement inflammable et explosive. Un incendie ou une explosion causé(e) par de l'essence peut vous brûler, ainsi que les personnes se tenant à proximité.

- Pour éviter que l'électricité statique n'enflamme l'essence, posez le récipient et/ou la machine directement sur le sol, pas dans un véhicule ou sur un support quelconque, avant de remplir le réservoir.
- Faites le plein du réservoir de carburant à l'extérieur quand le moteur est froid. Essuyez le carburant éventuellement répandu.
- Ne fumez jamais en manipulant de l'essence et tenez-vous à l'écart des flammes nues ou des sources d'étincelles.
- Conservez l'essence dans un récipient homologué, hors de la portée des enfants.
- Pour assurer le fonctionnement optimal de la machine, utilisez uniquement de l'essence sans plomb propre et fraîche (vieille de moins d'un mois) avec un indice d'octane de 87 ou plus (méthode de calcul $[R+M]/2$).
- L'utilisation de carburant oxygéné contenant jusqu'à 10 % d'éthanol ou 15 % de MTBE par volume est tolérée.
- **Éthanol** : De l'essence contenant jusqu'à 10 % d'éthanol (essence-alcool) ou 15 % de MTBE (éther méthyltertiobutylique) par volume peut être utilisée. L'éthanol et le MTBE sont deux produits différents. L'utilisation d'essence contenant 15 % d'éthanol (E15) par volume n'est pas agréée. **N'utilisez jamais d'essence contenant plus de 10 % d'éthanol par volume**, comme E15 (qui contient 15 % d'éthanol), E20 (qui contient 20 % d'éthanol) ou E85 (qui contient jusqu'à 85 % d'éthanol). L'utilisation d'essence non approuvée peut entraîner des problèmes de performances et/ou des dommages au moteur qui peuvent ne pas être couverts par la garantie.
- N'utilisez **pas** d'essence contenant du méthanol.
- Ne stockez **pas** le carburant dans le réservoir ou dans des bidons de carburant pendant l'hiver à moins d'utiliser un stabilisateur de carburant.
- N'ajoutez **pas** d'huile à l'essence.

Important: Pour réduire les problèmes de démarrage, ajoutez un stabilisateur à chaque plein et utilisez de l'essence stockée depuis moins d'un mois.

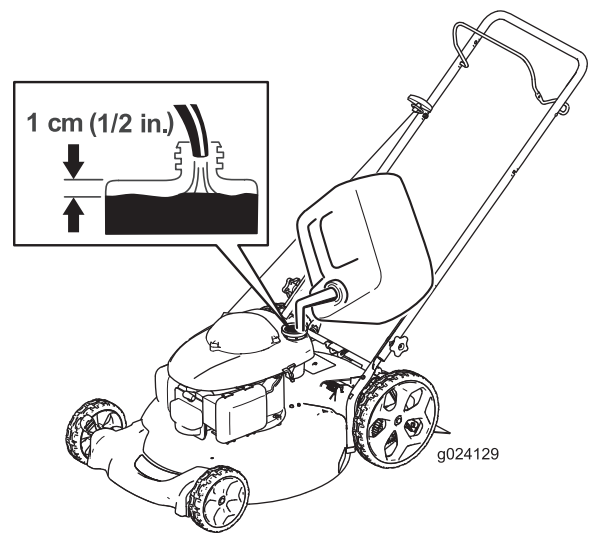


Figure 7

Contrôle du niveau d'huile moteur

Périodicité des entretiens: À chaque utilisation ou une fois par jour

Remplissage max. : 0,55 L (18,6 oz), type : huile détergente SAE 30 ou SAE 10W-30 de classe de service API SF, SG, SH, SJ, SL ou supérieure.

1. Amenez la machine sur un sol plat et horizontal.
2. Retirez la jauge (Figure 8).

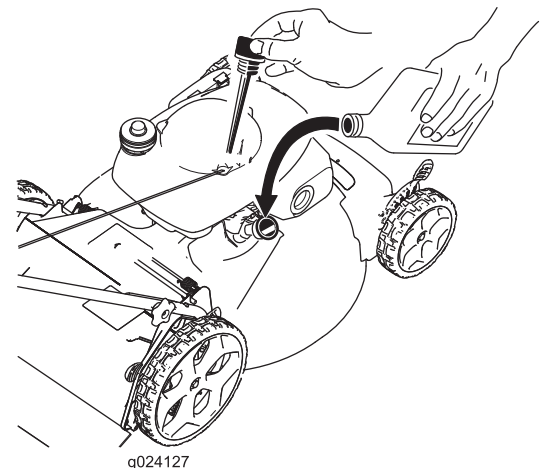
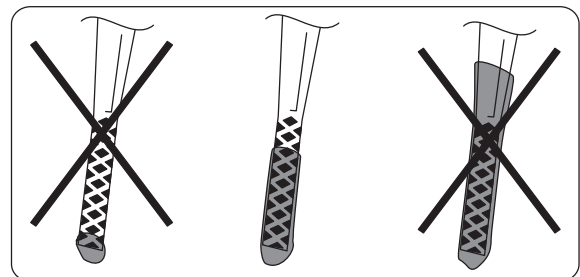


Figure 8

3. Essuyez l'extrémité de la jauge avec un chiffon propre.
4. Insérez la jauge dans le goulot de remplissage, **sans la visser**.
5. Sortez de nouveau la jauge et vérifiez le niveau d'huile; voir Figure 8.

- Si le niveau est trop bas, versez lentement une petite quantité d'huile dans le goulot de remplissage et répétez les opérations 3 à 5 jusqu'à ce que la jauge indique le niveau d'huile correct.
- Si le niveau d'huile est trop élevé, vidangez l'excédent d'huile jusqu'à obtention du niveau d'huile correct sur la jauge. Pour vidanger l'excédent d'huile, voir Vidange et remplacement de l'huile moteur (page 13).

Important: Si vous faites tourner le moteur alors que le niveau d'huile dans le carter est trop bas ou trop élevé, vous risquez d'endommager le moteur.

6. Revissez la jauge fermement en place.

Réglage de la hauteur de coupe

⚠ ATTENTION

Pendant le réglage de la hauteur de coupe, vous risquez de toucher la lame en mouvement et de vous blesser gravement.

- Coupez le moteur et attendez l'arrêt de toutes les pièces mobiles.
- Ne mettez pas les doigts sous le carter du tablier de coupe quand vous réglez la hauteur de coupe.

⚠ PRUDENCE

Si le moteur vient de tourner, le silencieux est très chaud et risque de vous brûler gravement. Ne vous approchez pas du silencieux encore chaud.

Choisissez la hauteur de coupe voulue. Réglez les roues avant à la même hauteur que les roues arrière.

Remarque: Pour élever ou abaisser la machine, déplacez les leviers de hauteur de coupe comme montré à la Figure 9.

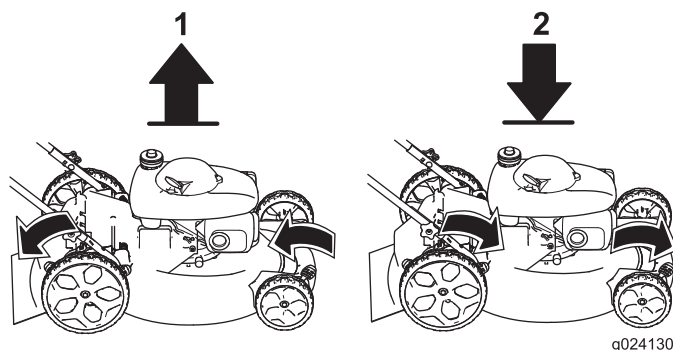


Figure 9

1. Élever la machine
2. Abaisser la machine

Important: Les hauteurs de coupe suivantes sont disponibles : 32 mm (1-1/4 po), 44 mm (1-3/4 po), 57 mm (2-1/4 po), 70 mm (2-3/4 po), 83 mm (3-1/4 po) et 95 mm (3-3/4 po).

Démarrage du moteur

1. Tournez le levier du robinet d'arrivée de carburant en position ouverte (Figure 10).

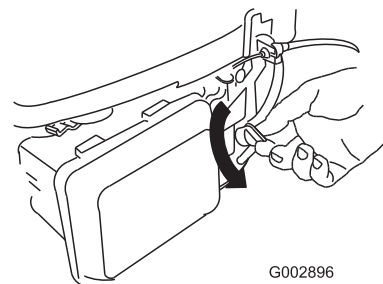


Figure 10

2. Serrez la barre de commande de la lame contre la partie supérieure du guidon (Figure 11).

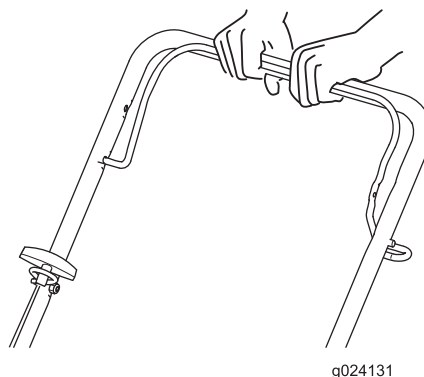


Figure 11

3. Tirez sur la poignée du lanceur (Figure 12).

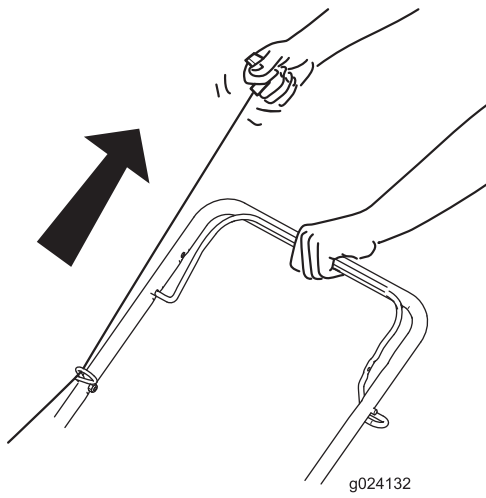


Figure 12

Remarque: Si le moteur ne démarre pas après plusieurs tentatives, contactez un dépositaire-réparateur agréé.

Arrêt du moteur

Périodicité des entretiens: À chaque utilisation ou une fois par jour

Pour arrêter le moteur, relâchez la barre de commande de la lame (Figure 13).

Important: Lorsque vous relâchez la barre de commande de la lame, le moteur et la lame doivent s'arrêter en moins de 3 secondes. Si ce n'est pas le cas, cessez immédiatement d'utiliser la machine et adressez-vous à un dépositaire réparateur agréé.

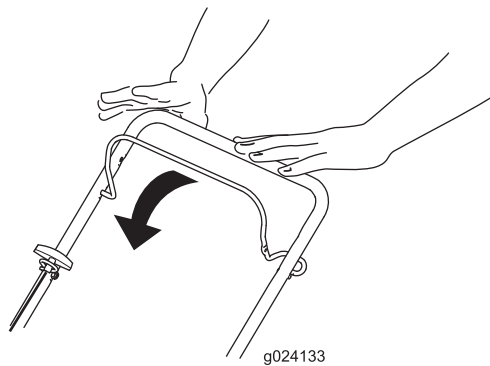


Figure 13

Déchiquetage

À la livraison, votre machine est prête à déchiqeter l'herbe et les feuilles coupées pour nourrir votre pelouse.

Si le bac à herbe est monté sur la machine, enlevez-le avant de procéder au déchiqetage de l'herbe coupée. Reportez-vous à Retrait du bac à herbe (page 11).

Ramassage de l'herbe coupée

Utilisez le bac à herbe pour recueillir l'herbe et les feuilles coupées à la surface de la pelouse.

⚠ ATTENTION

Si le bac à herbe est usé, des gravillons ou autres débris similaires peuvent être projetés dans votre direction ou celle de personnes à proximité, et causer des blessures graves ou mortelles.

Contrôlez fréquemment le bac à herbe. S'il est endommagé, remplacez-le par un bac Lawn-Boy neuf d'origine.

⚠ ATTENTION

La lame est tranchante et vous pouvez vous blesser gravement à son contact.

Coupez le moteur et attendez l'arrêt complet de toutes les pièces mobiles avant de quitter la position d'utilisation.

Mise en place du bac à herbe

1. Soulevez le déflecteur arrière (Figure 14).

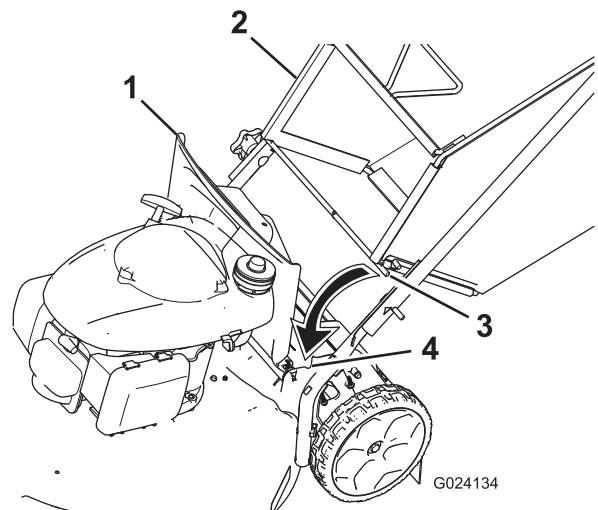


Figure 14

- | | |
|-----------------------|---|
| 1. Déflecteur arrière | 3. Extrémité de tige sur le bac à herbe (2) |
| 2. Bac à herbe | 4. Cran dans le support de guidon (2) |

2. Insérez les extrémités de la tige du bac à herbe dans les crans des supports du guidon (Figure 14).
3. Faites reposer le déflecteur arrière sur le bac.

Retrait du bac à herbe

1. Soulevez le déflecteur arrière (Figure 14).
2. Sortez la poignée du bac à herbe des crans des supports et déposez le bac de la machine.
3. Refermez le déflecteur arrière.

Conseils d'utilisation

Conseils de tonte généraux

- Débarrassez la zone de travail des branches, pierres, câbles, bâtons et autres débris qui pourraient être ramassés et projetés par la lame.
- Évitez de heurter des obstacles avec la lame. Ne passez jamais intentionnellement sur un objet quel qu'il soit.
- Si la machine a heurté un obstacle ou commence à vibrer, coupez immédiatement le moteur, débranchez la bougie et vérifiez si la machine n'est pas endommagée.
- Pour de meilleurs résultats, montez une lame neuve au début de la saison de tonte.
- Remplacez la lame dès que nécessaire par une lame de rechange Lawn-Boy.

La tonte

- Ne tondez l'herbe que sur un tiers de sa hauteur à chaque fois. N'utilisez pas une hauteur de coupe inférieure à 44 mm (1-3/4 po), sauf si l'herbe est clairsemée ou à la fin de l'automne quand la pousse commence à ralentir. Reportez-vous à Réglage de la hauteur de coupe (page 9).
- Si l'herbe fait plus de 15 cm (6 po), effectuez d'abord un premier passage à vitesse réduite à la hauteur de coupe la plus haute. Effectuez ensuite un deuxième passage à une hauteur de coupe inférieure pour obtenir une coupe plus esthétique. L'herbe trop haute risque d'obstruer la machine et de faire caler le moteur.
- Ne tondez que si l'herbe ou les feuilles sont sèches. L'herbe et les feuilles humides ont tendance à s'agglomérer sur la pelouse et risquent d'obstruer la machine et de faire caler le moteur.

⚠ ATTENTION

En travaillant sur l'herbe ou les feuilles humides, vous risquez de glisser et de vous blesser gravement si vous touchez la lame en tombant. Ne tondez que si l'herbe est sèche.

- Alternez la direction de la tonte. Cela permet de disperser les déchets plus uniformément et d'obtenir une fertilisation plus homogène.
- Si l'aspect de la pelouse tondu n'est pas satisfaisant, essayez une ou plusieurs des solutions suivantes :

- Remplacez la lame ou faites-la aiguiser.
- Tondez en avançant plus lentement.
- Augmentez la hauteur de coupe.
- Tondez plus souvent.
- Empiètez sur les passages précédents pour tondre une largeur de bande réduite.
- Réglez la hauteur de coupe des roues avant un cran en dessous de celle des roues arrière. Par exemple, réglez les roues avant à 57 mm (2-1/4 po) et les roues arrière à 70 mm (2-3/4 po).

Entretien

Remarque: Les côtés gauche et droit de la machine sont déterminés d'après la position d'utilisation normale.

Programme d'entretien recommandé

Périodicité d'entretien	Procédure d'entretien
Après les 5 premières heures de fonctionnement	<ul style="list-style-type: none">• Vidangez et remplacez l'huile moteur.
À chaque utilisation ou une fois par jour	<ul style="list-style-type: none">• Contrôlez le niveau d'huile moteur.• Vérifiez que le moteur s'arrête dans les 3 secondes suivant le relâchement de la barre de commande de la lame.• Vérifiez l'état et la propreté du filtre à air, et nettoyez-le ou remplacez-le au besoin.
Après chaque utilisation	<ul style="list-style-type: none">• Enlevez l'herbe coupée et autres débris accumulés sous la machine.
Toutes les 25 heures	<ul style="list-style-type: none">• Nettoyez ou remplacez l'élément filtrant du filtre à air (plus fréquemment si l'environnement d'utilisation est sale ou poussiéreux).
Toutes les 100 heures	<ul style="list-style-type: none">• Nettoyez le circuit de refroidissement (reportez-vous au manuel du moteur).• Remplacez la bougie.
Avant le remisage	<ul style="list-style-type: none">• Vidangez le réservoir de carburant avant le remisage annuel et avant les réparations qui le nécessitent.
Une fois par an	<ul style="list-style-type: none">• Vidangez et remplacez l'huile moteur.• Remplacez la lame ou faites-la aiguiser (plus souvent si elle s'émousse rapidement).• Reportez-vous au Manuel d'utilisation du moteur pour toutes procédures d'entretien annuel supplémentaires.

Important: Reportez-vous au *Manuel d'utilisation du moteur* pour toutes procédures d'entretien supplémentaires.

Préparation à l'entretien

1. Coupez le moteur et attendez l'arrêt de toutes les pièces mobiles.
2. Débranchez le fil de la bougie (Figure 15) avant de procéder à un quelconque entretien.

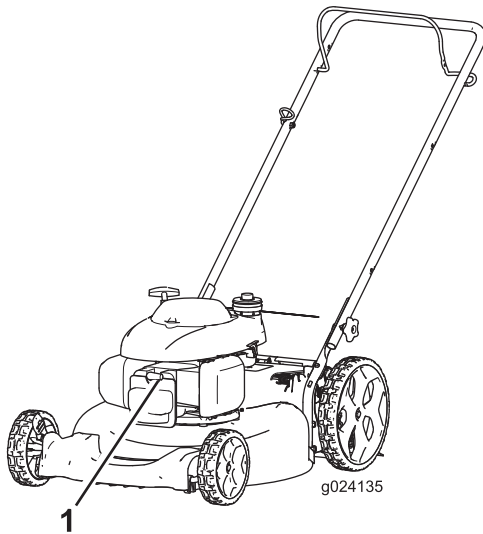


Figure 15

1. Fil de bougie

Important: Avant de basculer la machine pour vidanger l'huile ou remplacer la lame, laissez le moteur en marche jusqu'à ce qu'il s'arrête faute de carburant. Si vous ne pouvez pas attendre que le moteur s'arrête par manque de carburant, utilisez une pompe manuelle pour vider le reste de carburant. Basculez toujours la machine sur le côté, avec la jauge en bas.

⚠ ATTENTION

Du carburant peut s'échapper lorsque la machine est basculée sur le côté. L'essence est inflammable et explosive, et peut provoquer des blessures.

Laissez tourner le moteur jusqu'à ce qu'il s'arrête faute de carburant ou vidangez le reste d'essence avec une pompe manuelle, pas un siphon.

3. Lorsque l'entretien est terminé, rebranchez la bougie.

Entretien du filtre à air

Périodicité des entretiens: À chaque utilisation ou une fois par jour

Toutes les 25 heures/Une fois par an (la première échéance prévalant)—Nettoyez ou remplacez l'élément filtrant du filtre à air (plus fréquemment si l'environnement d'utilisation est sale ou poussiéreux).

1. Appuyez sur les languettes de verrouillage en haut du couvercle du filtre à air (Figure 16).

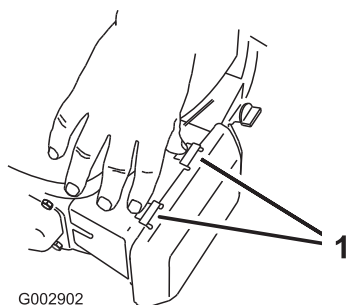


Figure 16

1. Languettes de verrouillage

2. Ouvrez le couvercle.
3. Nettoyez l'élément filtrant du filtre à air (Figure 16).

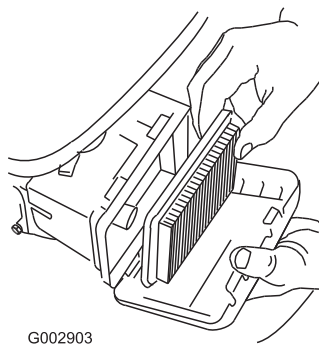


Figure 17

4. Remplacez l'élément filtrant du filtre à air s'il est endommagé ou humidifié par de l'huile ou de l'essence.
5. Si l'élément filtrant du filtre à air est encrassé, tapotez-le à plusieurs reprises sur une surface dure ou soufflez de l'air comprimé à moins de 207 kPa (30 psi) par le côté du filtre qui est face au moteur.

Remarque: Ne brossez pas le filtre pour le débarrasser des impuretés, car cela aura pour effet d'incruster les impuretés dans les fibres.

6. Avec un chiffon humide, essuyez la poussière sur le corps et le couvercle du filtre à air. **Ne faites pas pénétrer de poussière dans le conduit d'air.**
7. Placez l'élément filtrant dans le filtre à air.
8. Fermez le couvercle.

Vidange et remplacement de l'huile moteur

Périodicité des entretiens: Après les 5 premières heures de fonctionnement

Une fois par an

Faites tourner le moteur pendant quelques minutes avant la vidange pour réchauffer l'huile. L'huile chaude s'écoule plus facilement et entraîne plus d'impuretés.

1. Effectuez les préparatifs d'entretien annuels recommandés; voir Préparation à l'entretien (page 12).
2. Retirez la jauge.
3. Inclinez la machine sur le côté (jauge en bas) pour vidanger l'huile usagée par le goulot de remplissage (Figure 18).

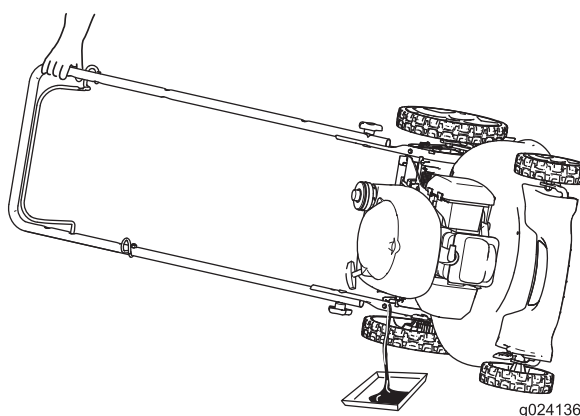


Figure 18

4. Redressez la machine après avoir vidangé l'huile usagée.
5. Versez environ 3/4 de la capacité d'huile totale dans le tube de remplissage d'huile.

Remarque: Remplissage max. : 0,55 L (18,6 oz), type : huile détergente SAE 30 ou SAE 10W-30 de classe de service API SF, SG, SH, SJ, SL ou supérieure.

6. Essuyez l'extrémité de la jauge avec un chiffon propre.
7. Insérez la jauge dans le goulot de remplissage, **sans la visser.**
8. Sortez de nouveau la jauge et vérifiez le niveau d'huile (Figure 19).

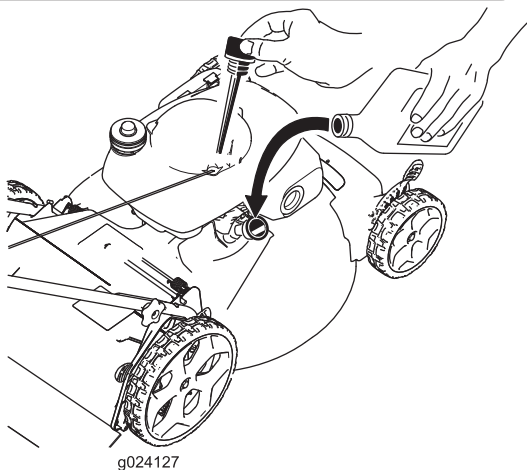
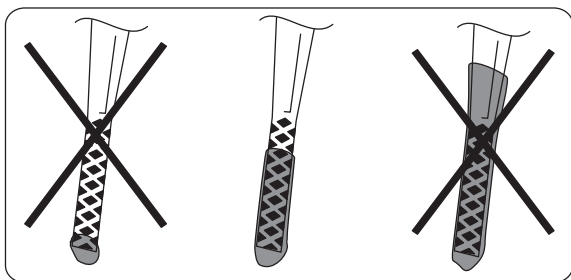


Figure 19

- Si le niveau est trop bas, versez lentement une petite quantité d'huile dans le goulot de remplissage et répétez les opérations 6 à 8 jusqu'à ce que la jauge indique le niveau d'huile correct.
- Si le niveau d'huile est trop élevé, vidangez l'excédent d'huile jusqu'à obtention du niveau d'huile correct sur la jauge.

Important: Si vous faites tourner le moteur alors que le niveau d'huile dans le carter est trop bas ou trop élevé, vous risquez d'endommager le moteur.

9. Revissez la jauge fermement en place.
10. Recyclez l'huile usagée correctement.

Remplacement de la lame

Périodicité des entretiens: Une fois par an

Important: Vous aurez besoin d'une clé dynamométrique pour monter la lame correctement. Si vous n'en possédez pas ou si vous ne vous sentez pas capable d'effectuer cette procédure, adressez-vous à un dépositaire-réparateur agréé.

Examinez l'état de la lame chaque fois que le réservoir d'essence est vide. Si la lame est endommagée ou fêlée, remplacez-la immédiatement. Si la lame est émoussée ou ébréchée, faites-la aiguiser ou remplacez-la.

⚠ ATTENTION

La lame est tranchante et vous pouvez vous blesser gravement à son contact.

- Débranchez le fil de la bougie.
 - Portez des gants pour effectuer l'entretien de la lame.
1. Débranchez le fil de la bougie. Reportez-vous à Préparation à l'entretien (page 12).
 2. Basculez la machine sur le côté (filtre à air en haut).
 3. Immobilisez la lame avec un morceau de bois.
 4. Déposez la lame (tournez le boulon de la lame dans le sens antihoraire) et mettez tous les fixations de côté.
 5. Montez une lame neuve (tournez le boulon de la lame dans le sens horaire) et toutes les fixations (Figure 20).

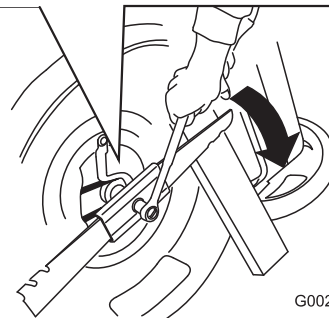
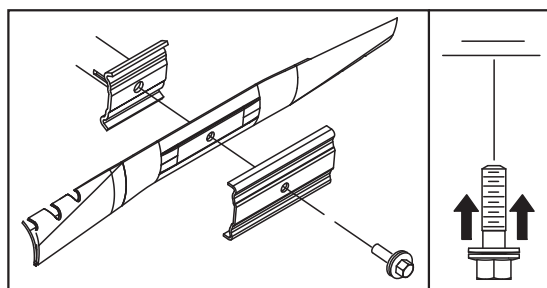


Figure 20

Important: Les extrémités relevées de la lame doivent être dirigées vers la machine.

6. À l'aide d'une clé dynamométrique, serrez le boulon de la lame à 82 Nm (60 pi-lb).

Important: Un boulon vissé à 82 Nm (60 pi-lb) est très serré. Bloquez la lame avec une cale en bois, appuyez de tout votre poids sur le rochet ou la clé, et serrez le boulon solidement. Il est pratiquement impossible de trop serrer ce boulon.

Nettoyage du dessous de la machine

Périodicité des entretiens: Après chaque utilisation

⚠ ATTENTION

Des débris peuvent être projetés de sous la machine.

- Portez des lunettes de protection.
- Restez à la position d'utilisation (derrière le guidon).
- Ne laissez personne pénétrer dans la zone de travail.

1. Mettez le moteur en marche lorsque la tondeuse se trouve sur une surface revêtue plane et dirigez un jet d'eau devant la roue arrière **droite** (Figure 21).

L'eau éclaboussera en direction de la lame et enlèvera les débris d'herbe agglomérés.

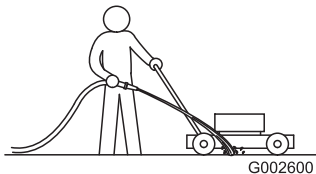


Figure 21

2. Lorsqu'il ne reste plus d'herbe sur la lame, arrêtez l'eau et déplacez la machine à un endroit sec.
3. Laissez tourner le moteur pendant quelques minutes pour sécher le carter et l'empêcher de rouiller.

Remisage

Remisez la machine dans un local frais, propre et sec.

Préparation de la machine au remisage

⚠ ATTENTION

Les vapeurs d'essence sont explosives.

- Ne conservez pas l'essence plus d'un mois.
- Ne remisez pas la machine dans un local fermé où se trouve une flamme nue.
- Laissez refroidir le moteur avant de remiser la machine.

1. Lors du dernier plein de la saison, ajoutez un stabilisateur au carburant selon les instructions du constructeur du moteur.
2. Laissez tourner le moteur de la machine jusqu'à ce qu'il s'arrête faute de carburant.
3. Amorcez et remettez le moteur en marche.
4. Laissez tourner le moteur jusqu'à ce qu'il s'arrête. Le moteur est suffisamment sec lorsqu'il n'y a plus moyen de le faire démarrer.
5. Débranchez le fil de la bougie.
6. Retirez la bougie et versez 30 ml (1 oz) d'huile dans l'ouverture laissée par la bougie. Tirez ensuite la poignée du lanceur **lentement** à plusieurs reprises pour bien répartir l'huile à l'intérieur du cylindre et empêcher celui-ci de rouiller pendant le remisage de la machine.
7. Reposez et serrez la bougie à 20 Nm (15 pi-lb) à l'aide d'une clé dynamométrique.
8. Serrez tous les écrous, boulons et vis.

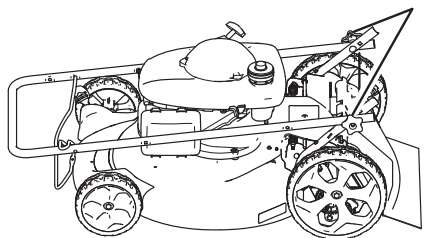
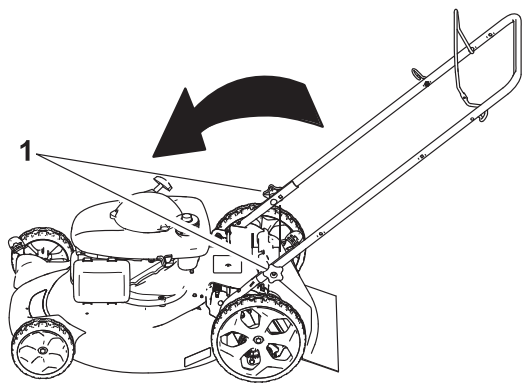
Pliage du guidon

⚠ ATTENTION

Vous risquez d'endommager les câbles et de rendre la machine dangereuse à utiliser si vous pliez ou dépliez mal le guidon.

- Veillez à ne pas endommager les câbles en pliant ou dépliant le guidon.
- Si un câble est endommagé, adressez-vous à un réparateur agréé.

1. Desserrez les boutons du guidon jusqu'à ce que le guidon bouge librement (Figure 22).



g024126

Figure 22

1. Bouton du guidon (2)

2. Pliez le guidon en avant comme indiqué à la (Figure 22).

Remise en service après remisage

1. Retirez la bougie et faites tourner le moteur rapidement en tirant la poignée du lanceur pour éliminer l'excédent d'huile dans le cylindre.
2. Reposez et serrez la bougie à 20 Nm (15 pi-lb) à l'aide d'une clé dynamométrique.
3. Branchez le fil à la bougie.

Remarques:



La garantie No-Worry de Lawn-Boy

Une garantie intégrale de 2 ans (garantie limitée de 45 jours pour usage commercial)

Tondeuse déchiqueteuse/à bac arrière de 53 cm (21 pouces)
Tondeuses autotractées

L'engagement True Start de Lawn-Boy

Une garantie intégrale de 3 ans (ne s'applique pas à l'usage commercial)

Conditions et produits couverts

Lawn-Boy Inc. et sa filiale Lawn-Boy Warranty Company, en vertu d'un accord mutuel, s'engagent conjointement à réparer le produit Lawn-Boy ci-dessous s'il est employé pour un usage résidentiel*; s'il présente un défaut de matériaux ou de fabrication ou s'il cesse de fonctionner par suite de la défaillance d'un composant; ou si le moteur Lawn-Boy True Start ne démarre pas à la première ou à la deuxième tentative au lanceur, à condition que l'entretien courant requis dans le *Manuel de l'utilisateur* ait été effectué.

Cette garantie couvre le coût des pièces et de la main-d'œuvre, mais le transport est à votre charge.

Durées de la garantie à compter de la date d'achat :

Produits	Période de garantie
Tondeuse déchiqueteuse/à bac arrière de 53 cm (21 pouces) et accessoires	Garantie intégrale de 2 ans
Engagement True Start	Garantie intégrale de 3 ans
Moteur	Garantie intégrale de 3 ans
Batterie	Garantie intégrale de 1 an
Pièces à usure normale (courroies, lames, adaptateurs de lames, bacs à herbe, câbles et roues)	90 jours

Garantie limitée pour usage commercial*

Les produits Lawn-Boy à moteur à essence utilisés à des fins commerciales, par des institutions ou donnés en location sont couverts contre tout défaut de fabrication ou de matériau pendant une période de 45 jours. Les défaillances de composants dues à une usure normale ne sont pas couvertes par cette garantie.

L'engagement True Start ne s'applique pas si le produit est utilisé à des fins commerciales*.

Comment faire intervenir la garantie

Si vous pensez que votre produit Lawn-Boy présente un défaut de fabrication ou s'il ne démarre plus après un ou deux essais effectués par n'importe quel adulte physiquement apte, suivez la procédure ci-dessous :

1. Demandez à un dépositaire ou réparateur Lawn-Boy agréé de prendre en charge votre produit. Pour trouver le dépositaire ou le réparateur le plus proche, consultez les *Pages Jaunes* (sous "Tondeuses à gazon") ou rendez-vous sur notre site web à www.Lawn-Boy.com. Vous pouvez aussi appeler les numéros indiqués au point 3 pour consulter notre système permanent de localisation des dépositaires Lawn-Boy.
2. Lorsque vous vous rendez chez le dépositaire-réparateur, apportez le produit et une preuve d'achat (reçu). Le dépositaire-réparateur diagnostiquera le problème et déterminera s'il est couvert par la garantie.
3. Si, pour une raison quelconque, vous n'êtes pas satisfait du diagnostic de votre dépositaire-réparateur ou des conseils prodigués, n'hésitez pas à nous contacter à l'adresse suivante :

Service de soutien à la clientèle
Lawn-Boy Inc.
8111 Lyndale Avenue South
Bloomington, MN 55420-1196, États-Unis
Numéro vert : 866-216-6032 (aux États-Unis)
Numéro vert : 866-216-6031 (au Canada)

Responsabilités du propriétaire

L'entretien de votre produit Lawn-Boy doit être conforme aux procédures décrites dans le *Manuel de l'utilisateur*. Cet entretien courant est à vos frais, qu'il soit effectué par vous-même ou par un dépositaire-réparateur.

Ce que la garantie ne couvre pas

Il n'existe aucune autre garantie expresse, à part la garantie spéciale du système antipollution et du moteur pour certains produits. Cette garantie expresse ne couvre pas :

- Les frais normaux d'entretien et de remplacement de pièces, telles que les filtres, le carburant, les lubrifiants, les changements d'huile, les bougies, les filtres à air, l'affûtage des lames, les lames usées, le réglage des câbles/de la tringlerie ou le réglage des freins et de l'embrayage.
- Les défaillances de composants dues à une usure normale
- Les produits ou pièces ayant subi des modifications, de mauvais traitements ou un usage abusif, et nécessitant un remplacement ou une réparation en raison d'un accident ou d'un défaut d'entretien
- Les frais de prise à domicile et de livraison.
- Les réparations ou tentatives de réparation par quiconque autre qu'un réparateur Lawn-Boy agréé
- Les réparations requises en raison du non-respect de la procédure d'alimentation en carburant (consultez le *Manuel de l'utilisateur* pour plus de détails)
 - La décontamination du système d'alimentation n'est pas couverte.
 - L'utilisation de carburant trop vieux (plus d'un mois) ou de carburant contenant plus de 10 % d'éthanol ou plus de 15 % de MTBE
 - La vidange du circuit d'alimentation n'a pas été effectuée avant toute période de non utilisation de plus d'un mois
- Les réparations ou réglages nécessaires pour corriger les problèmes de démarrage causés par :
 - le non-respect des procédures d'entretien correctes ou de la procédure recommandée relative au carburant
 - les dommages subis par la lame de la tondeuse qui heurte un obstacle
- Certaines conditions de démarrage exigent un ou plusieurs essais, notamment :
 - Le premier démarrage après une période de non utilisation de plus de trois mois ou après le remisage saisonnier
 - Les démarrages par temps froid, par exemple au début du printemps et à la fin de l'automne.
 - Les méthodes de démarrage incorrectes – si vous avez des difficultés à démarrer le moteur, vérifiez dans le *Manuel de l'utilisateur* que vous suivez bien les procédures de démarrage correctes. Vous éviterez peut-être ainsi une visite inutile chez un dépositaire-réparateur Lawn-Boy agréé.

Conditions générales

Toutes les réparations couvertes par ces garanties doivent être effectuées par un réparateur Lawn-Boy agréé, à l'aide de pièces de rechange agréées par Lawn-Boy. La réparation par un dépositaire-réparateur Lawn-Boy agréé est le seul dédommagement auquel cette garantie donne droit.

Lawn-Boy Inc. et Lawn-Boy Warranty Company déclinent toute responsabilité en cas de dommages secondaires ou indirects liés à l'utilisation des produits Lawn-Boy couverts par ces garanties, notamment quant aux coûts et dépenses encourus pour se procurer un équipement ou un service de substitution durant une période raisonnable pour cause de défaillance ou d'indisponibilité en attendant la réparation sous garantie.

L'exclusion de la garantie des dommages secondaires ou indirects n'est pas autorisée dans certains états ou pays, et peut donc ne pas s'appliquer dans votre cas.

Cette garantie vous accorde des droits spécifiques, auxquels peuvent s'ajouter d'autres droits qui varient selon les états.

Autres pays que les États-Unis et le Canada

Pour les produits Lawn-Boy exportés des États-Unis ou du Canada, demandez à votre distributeur (dépositaire) Lawn-Boy la police de garantie applicable dans votre pays, région ou état. Si, pour une raison quelconque, vous n'êtes pas satisfait des services de votre distributeur, ou si vous avez du mal à vous procurer les informations de garantie, adressez-vous à l'importateur Lawn-Boy. En dernier recours, adressez-vous à Lawn-Boy Warranty Company.

Droits des consommateurs australiens : Les clients australiens trouveront des renseignements concernant le Droit australien de la consommation à l'intérieur du carton ou auprès de leur dépositaire Lawn-Boy local.

*L'usage résidentiel normal désigne l'utilisation du produit sur le terrain où se trouve votre domicile. L'utilisation dans plusieurs lieux, par des institutions ou la location est considérée comme un usage commercial, couvert par la garantie commerciale.