



**20in Mulching/Rear Bagging  
Lawn Mower**

**Model No. 10640—Serial No. 31000001 and Up**

**Parts Catalog**

# Ordering Replacement Parts

To order replacement parts, please supply the part number, the quantity, and the description of each part desired.

## Understanding Reference Numbers

Each identified part in an illustration has a reference number. The reference number for a part also appears in the parts list, along with other information about the part.

This catalog uses two special reference number formats, one to indicate parts in a service assembly and another to indicate the quantity of a given part in an illustration.

## Service Assembly Reference Numbers

Parts in service assemblies have reference numbers in the form a:b. The a represents the reference number of the entire service assembly and the b represents a sequential number unique to each part within the service assembly.

For example, a wheel assembly might be identified by reference number 6, the tire by 6:1, the valve by 6:2, and the wheel by 6:3. When you order the assembly identified by reference number 6, you receive all parts identified by reference numbers 6:1, 6:2, and 6:3. However, you may also order any part individually. Reference numbers of this type appear in illustration and in parts lists.

## Reference Numbers Indicating Quantity

In an illustration, if a reference number indicates more than one part, the reference number has the form nX y. The n represents the quantity of the part, the X is the multiplication symbol, and the y represents the reference number.

For example, in an illustration, the reference number 2X 37 means that two of the parts identified by reference number 37 are indicated.

# List of Abbreviations

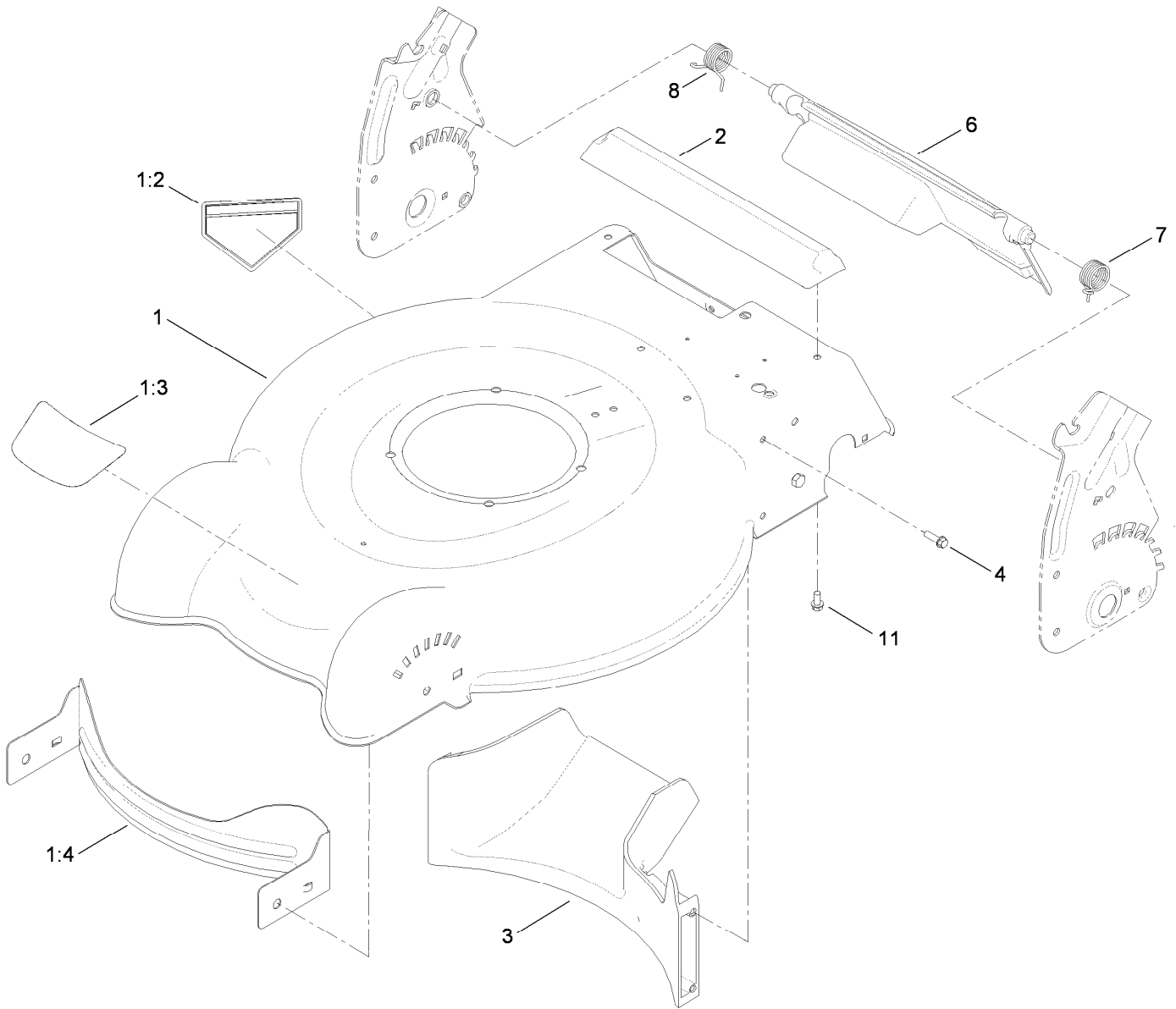
**AR:** as required  
**ASM:** assembly  
**BBC:** blade brake clutch  
**CARR:** carriage  
**CCW:** counter clock wise  
**CW:** clockwise  
**DEG:** degrees  
**ECM:** electronic control module  
**EXT:** external  
**FH:** flat head  
**GA:** gauge  
**HD:** heavy-duty  
**HF:** hex flange  
**HH:** hex head  
**HHF:** hex head flange  
**HHFTF:** hex head flange thread forming  
**HJ:** hex jam  
**HLH:** hex lag head  
**HOC:** height-of-cut

**HSBH:** hex socket button head  
**HSFH:** hex socket flat head  
**HSH:** hex socket head  
**HWH:** hex washer head  
**HWHTF:** hex washer head thread forming  
**HYD:** hydraulic  
**LH:** left hand  
**NI:** nylon insert  
**NPTF:** national pipe thread fine  
**PFH:** phillips flat head  
**PPH:** phillips pan head  
**PPHTF:** phillips pan head thread forming  
**PRH:** phillips round head  
**PTH:** phillips truss head  
**PTO:** power-take-off  
**RH:** right hand  
**ROPS:** roll-over protection system  
**RRB:** rear roller brush

**SFH:** slotted fillister head  
**SHH:** slotted hex head  
**SHWH:** slotted hex washer head  
**SPH:** slotted pan head  
**SQH:** square head  
**SRH:** slotted round head  
**STD:** standard  
**TAP:** self tapping  
**TTH:** torx truss head

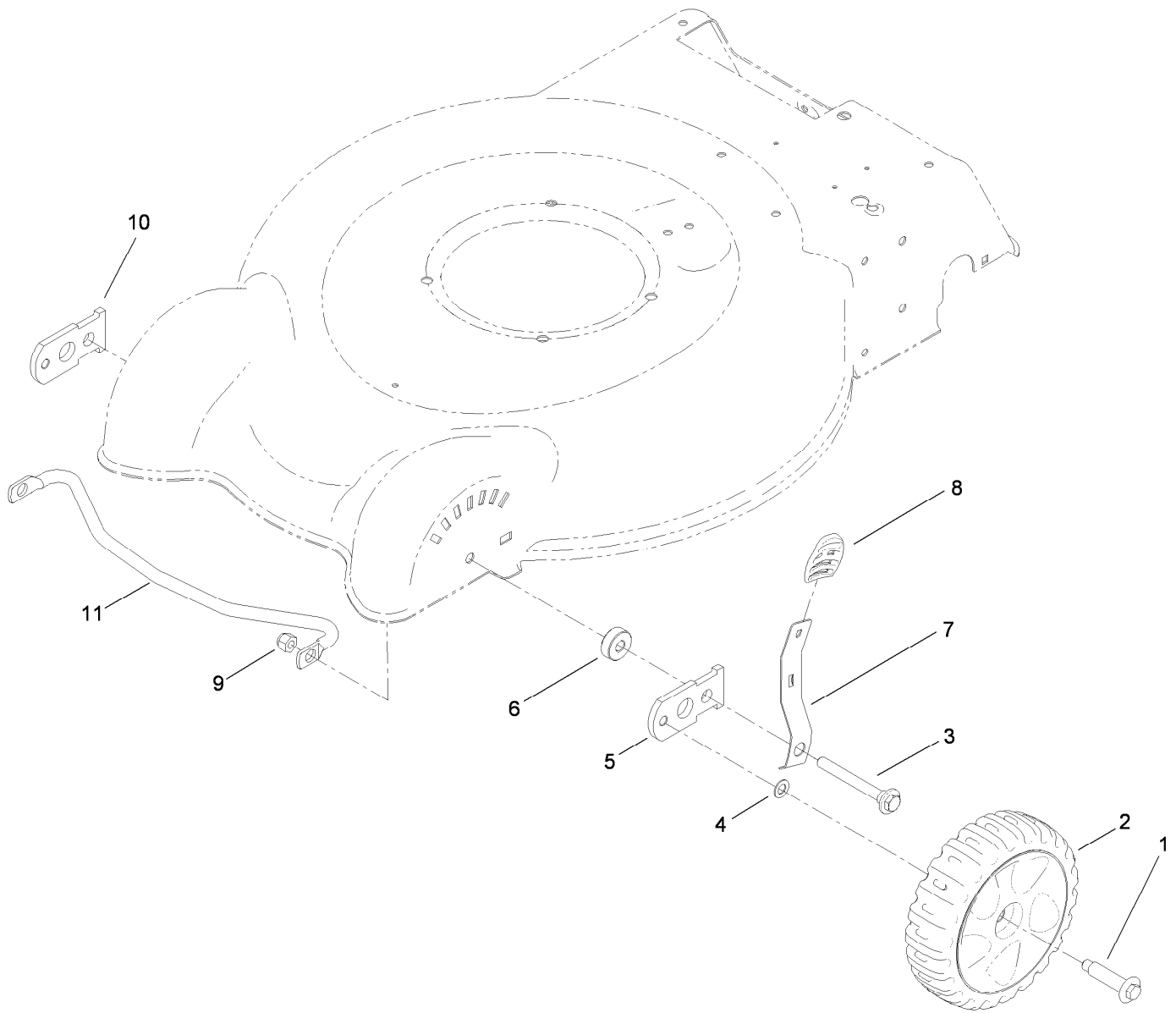
# Contents

- Housing Assembly ..... 4
- Front Wheel Assembly ..... 5
- Rear Axle Assembly ..... 6
- Engine and Blade Assembly ..... 7
- Handle Assembly ..... 8
- Rear Bag Assembly ..... 9
- Attachments and Accessories ..... 10



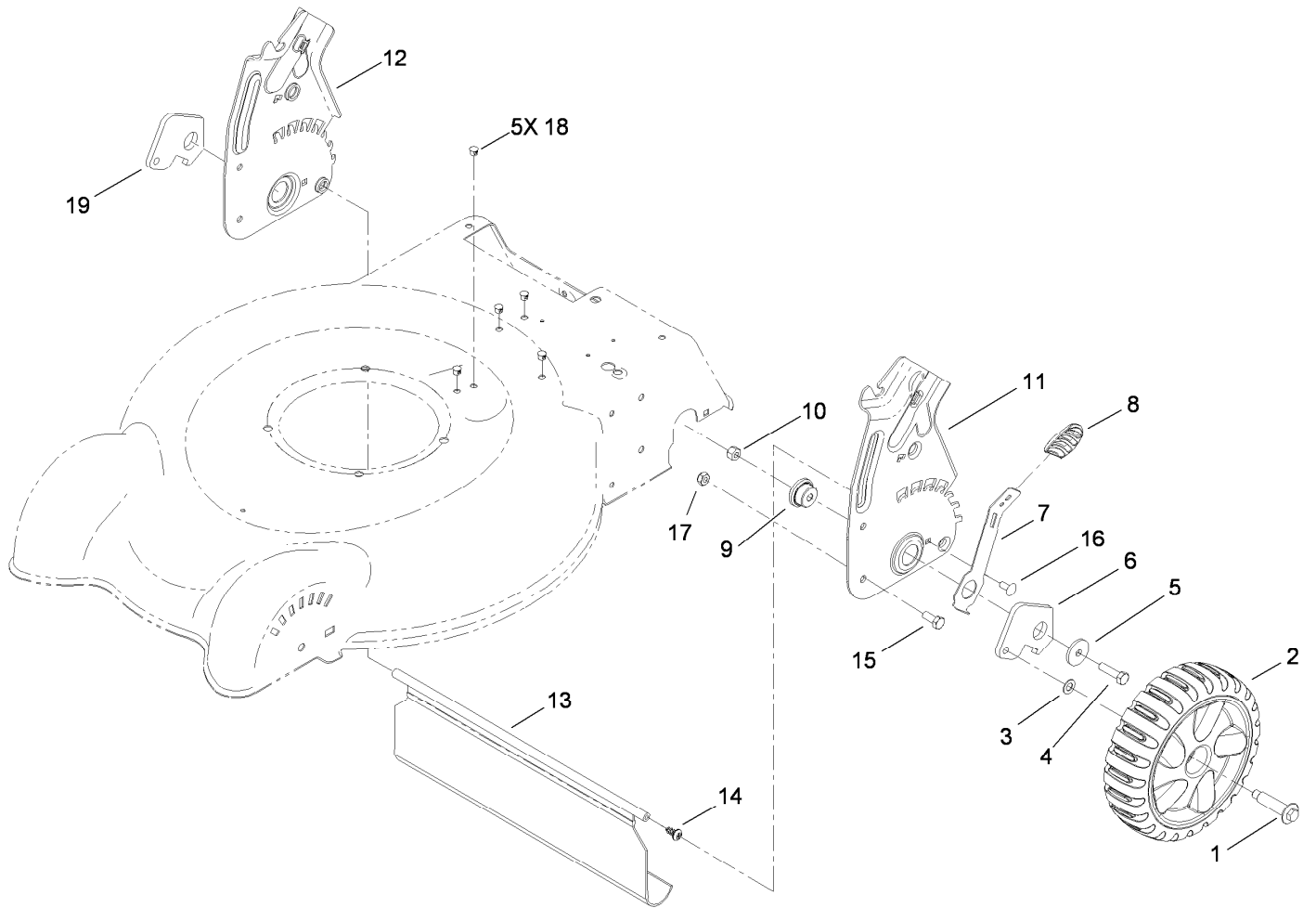
## Housing Assembly

<i>Ref.</i>	<i>Part Number</i>	<i>Qty.</i>	<i>Description</i>
1	117-4153	1	Housing ASM
1:2	94-8072	1	Decal-Danger
1:3	117-4131	1	Decal
1:4	112-8824-02	1	Baffle-Front
2	112-8845	1	Chute-Rear
3	112-8814	1	Baffle-Rear
4	46-8091	5	Screw-HWH
6	117-5923	1	Rear Deflector ASM
7	112-8848	1	Spring-Torsion, LH
8	112-8849	1	Spring-Torsion, RH
11	46-8093	3	Screw-Plastite



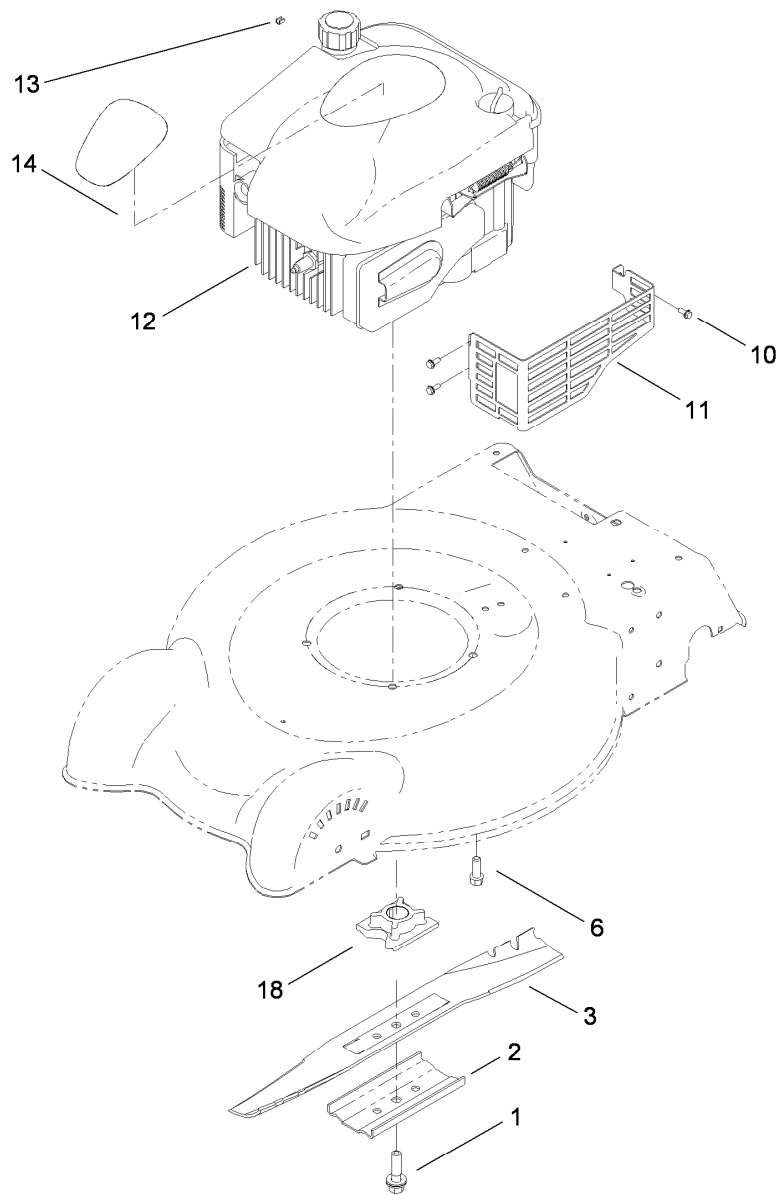
## Front Wheel Assembly

Ref.	Part Number	Qty.	Description
1	614650	2	Bolt-Shoulder
2	112-1548	2	7 Inch Front Wheel ASM
3	614672	2	Bolt-Shoulder
4	40-1940	2	Washer
5	107-3877	1	Arm-Pivot, RH
6	117-5997	2	Spacer-Arm, Pivot
7	112-8828	2	Arm-Spring, Front
8	105-3042	2	Knob-Lever, HOC
9	3296-39	2	Nut-Lock, NI
10	108-1044	1	Arm-Pivot, LH
11	117-4161	1	Brace-Front



## Rear Axle Assembly

Ref.	Part Number	Qty.	Description	Ref.	Part Number	Qty.	Description
1	614650	2	Bolt-Shoulder	11	112-8822-03	1	Plate-HOC, LH
2	107-3898	2	8 Inch Wheel ASM	12	112-8823-03	1	Plate-HOC, RH
3	40-1940	2	Washer	13	112-8768	1	Shield-Trailing
4	322-6	2	Screw-HH	14	117-1092	2	Screw-PTH
5	105-3048	2	Washer-Flat	15	322-3	4	Screw-HH
6	105-1819	1	Arm-Pivot, Rear	16	3229-11	2	Screw-CARR
7	105-1809	2	Arm-Spring	17	3296-16	2	Nut-Lock, NI
8	105-3042	2	Knob-Lever, HOC	18	104-9373	5	Plug-Dome
9	105-1818	2	Bushing-Mount, HOC	19	108-4816	1	Arm-Pivot, Rear (RH)
10	3296-29	6	Nut-Lock, NI				

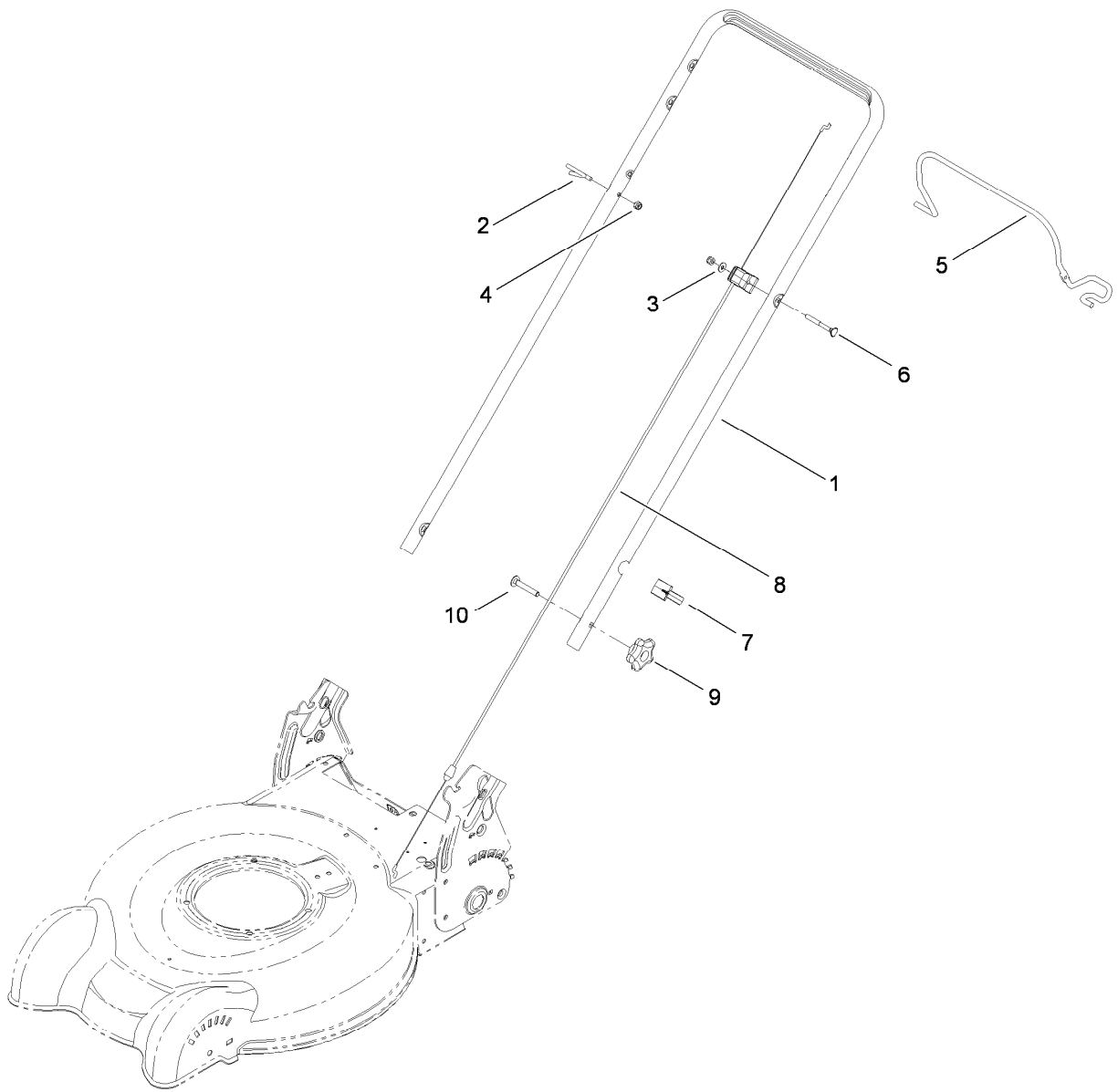


## Engine and Blade Assembly

Ref.	Part Number	Qty.	Description
1	105-8579	1	Bolt-Blade
2	108-3766-03	1	Support-Blade
3	112-8841-03	1	Blade-20 Inch
6	95-1726	3	Screw-Taptite
10	32144-1	3	Screw-Taptite
11	104-7577-03	1	Shield-Muffler
12		1	Engine-Briggs, 126T02-3205-B1 ●■
13	2210-316	1	Stop-Rope
14	119-3802	1	Decal-Shroud
18	104-1007	1	Retainer-Blade

● Not serviced separately

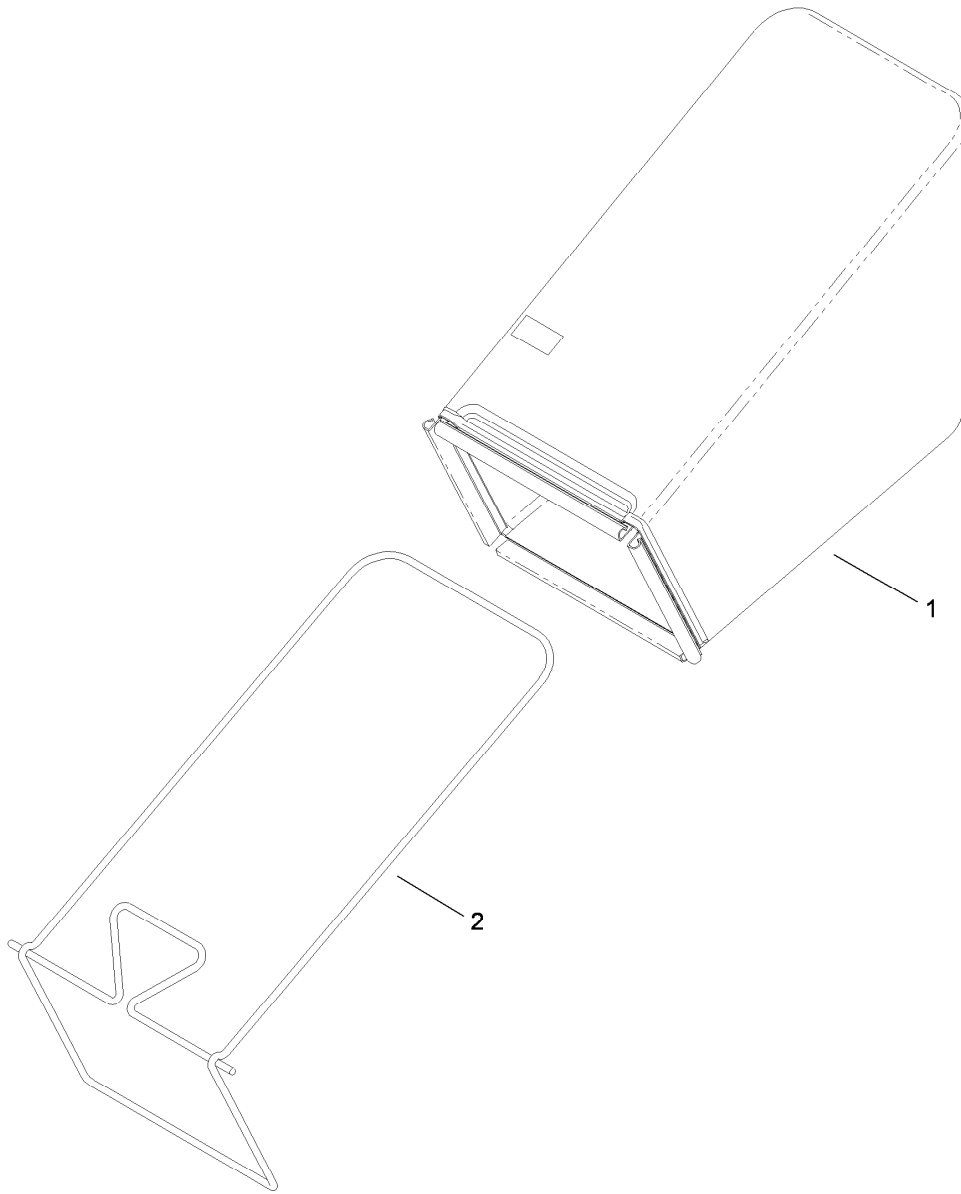
■ Obtain parts from [www.briggsandstratton.com](http://www.briggsandstratton.com)



## Handle Assembly

<b>Ref.</b>	<b>Part Number</b>	<b>Qty.</b>	<b>Description</b>
1	112-8833-05	1	Handle
2	86-9671	1	Guide-Rope
3	3256-1	1	Washer-Flat
4	3296-73	2	Nut-Lock, NI
5	112-8834-02	1	Bail-Brake, 2-Bail Flat
6	92-2270	1	Screw-Handle
7	114-7988	1	Guide-Cable
8	112-8818	1	Cable-Brake
9	117-5976	2	Knob-Handle, Locking
10	3230-6	2	Screw-CARR





## Rear Bag Assembly

<i>Ref.</i>	<i>Part Number</i>	<i>Qty.</i>	<i>Description</i>
1	112-8836	1	Grass Bag ASM
2	112-8825-03	1	Frame-Bag

# Attachments and Accessories

## For 10640 20in Mulching/Rear Bagging Lawn Mower

<b>Product Name</b>	<b>Model/Part</b>
Loose Parts Kit .....	117-5929
Replacement Bag, 2009 and After 20in Steel Deck Lawnmowers.....	89701
Replacement Bag and Frame Kit, 2009 and After 20in Steel Deck Lawnmowers .....	89702
20in Replacement Blade.....	89963
Rear-Discharge Deflector, 2009 and After 20in Steel Deck Mower .....	89964

**Notes:**

