



**20in Mulching/Rear Bagging
Lawn Mower**

Model No. 10646—Serial No. 31000001 and Up

Parts Catalog

Ordering Replacement Parts

To order replacement parts, please supply the part number, the quantity, and the description of each part desired.

Understanding Reference Numbers

Each identified part in an illustration has a reference number. The reference number for a part also appears in the parts list, along with other information about the part.

This catalog uses two special reference number formats, one to indicate parts in a service assembly and another to indicate the quantity of a given part in an illustration.

Service Assembly Reference Numbers

Parts in service assemblies have reference numbers in the form a:b. The a represents the reference number of the entire service assembly and the b represents a sequential number unique to each part within the service assembly.

For example, a wheel assembly might be identified by reference number 6, the tire by 6:1, the valve by 6:2, and the wheel by 6:3. When you order the assembly identified by reference number 6, you receive all parts identified by reference numbers 6:1, 6:2, and 6:3. However, you may also order any part individually. Reference numbers of this type appear in illustration and in parts lists.

Reference Numbers Indicating Quantity

In an illustration, if a reference number indicates more than one part, the reference number has the form nX y. The n represents the quantity of the part, the X is the multiplication symbol, and the y represents the reference number.

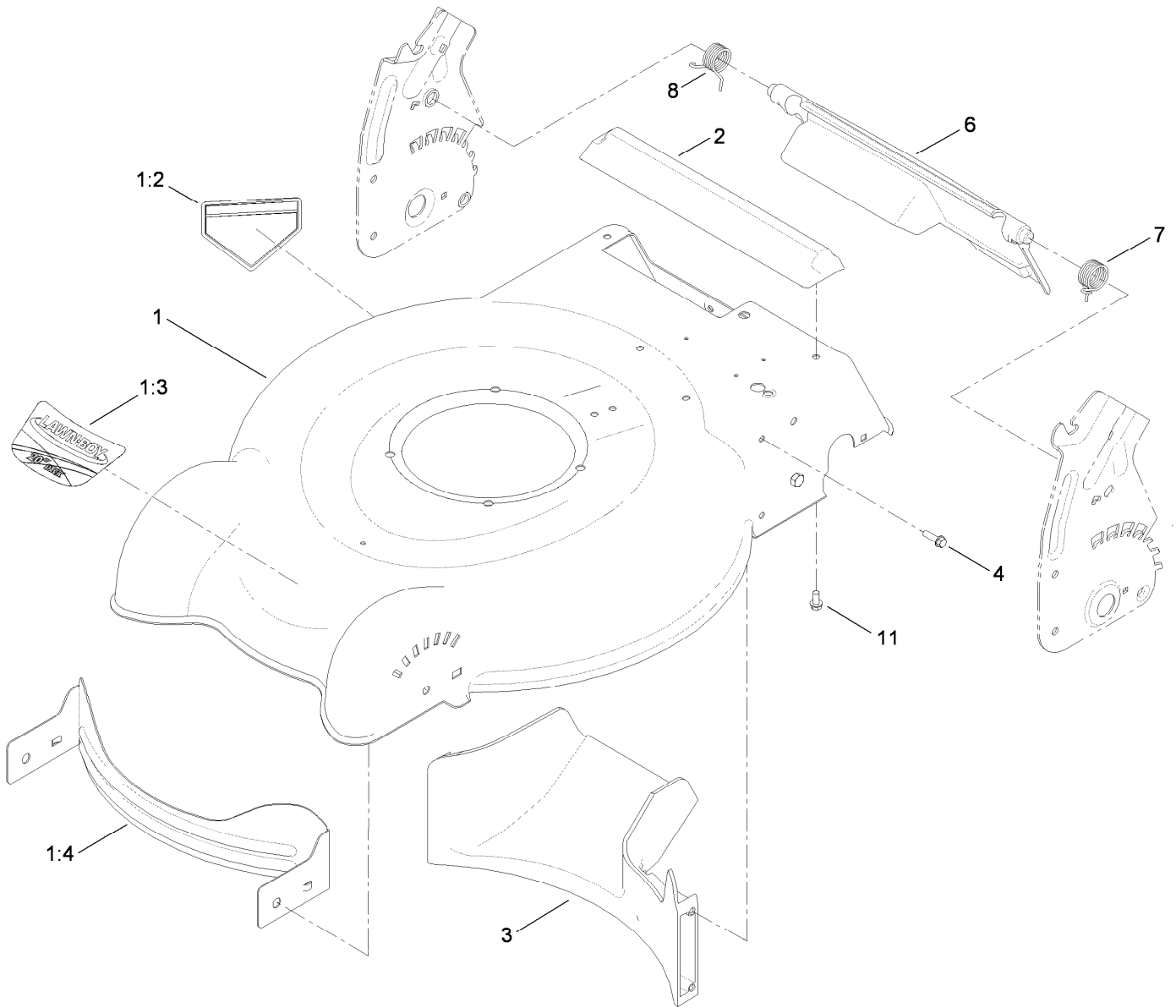
For example, in an illustration, the reference number 2X 37 means that two of the parts identified by reference number 37 are indicated.

List of Abbreviations

AR: as required	HSBH: hex socket button head	SFH: slotted fillister head
ASM: assembly	HSFH: hex socket flat head	SHH: slotted hex head
BBC: blade brake clutch	HSH: hex socket head	SHWH: slotted hex washer head
CARR: carriage	HWH: hex washer head	SPH: slotted pan head
CCW: counter clock wise	HWTF: hex washer head thread forming	SQH: square head
CW: clockwise	HYD: hydraulic	SRH: slotted round head
DEG: degrees	LH: left hand	STD: standard
ECM: electronic control module	NI: nylon insert	TAP: self tapping
EXT: external	NPTF: national pipe thread fine	TTH: torx truss head
FH: flat head	PFH: phillips flat head	
GA: gauge	PPH: phillips pan head	
HD: heavy-duty	PPHTF: phillips pan head thread forming	
HF: hex flange	PRH: phillips round head	
HH: hex head	PTH: phillips truss head	
HHF: hex head flange	PTO: power-take-off	
HHFTF: hex head flange thread forming	RH: right hand	
HJ: hex jam	ROPS: roll-over protection system	
HLH: hex lag head	RRB: rear roller brush	
HOC: height-of-cut		

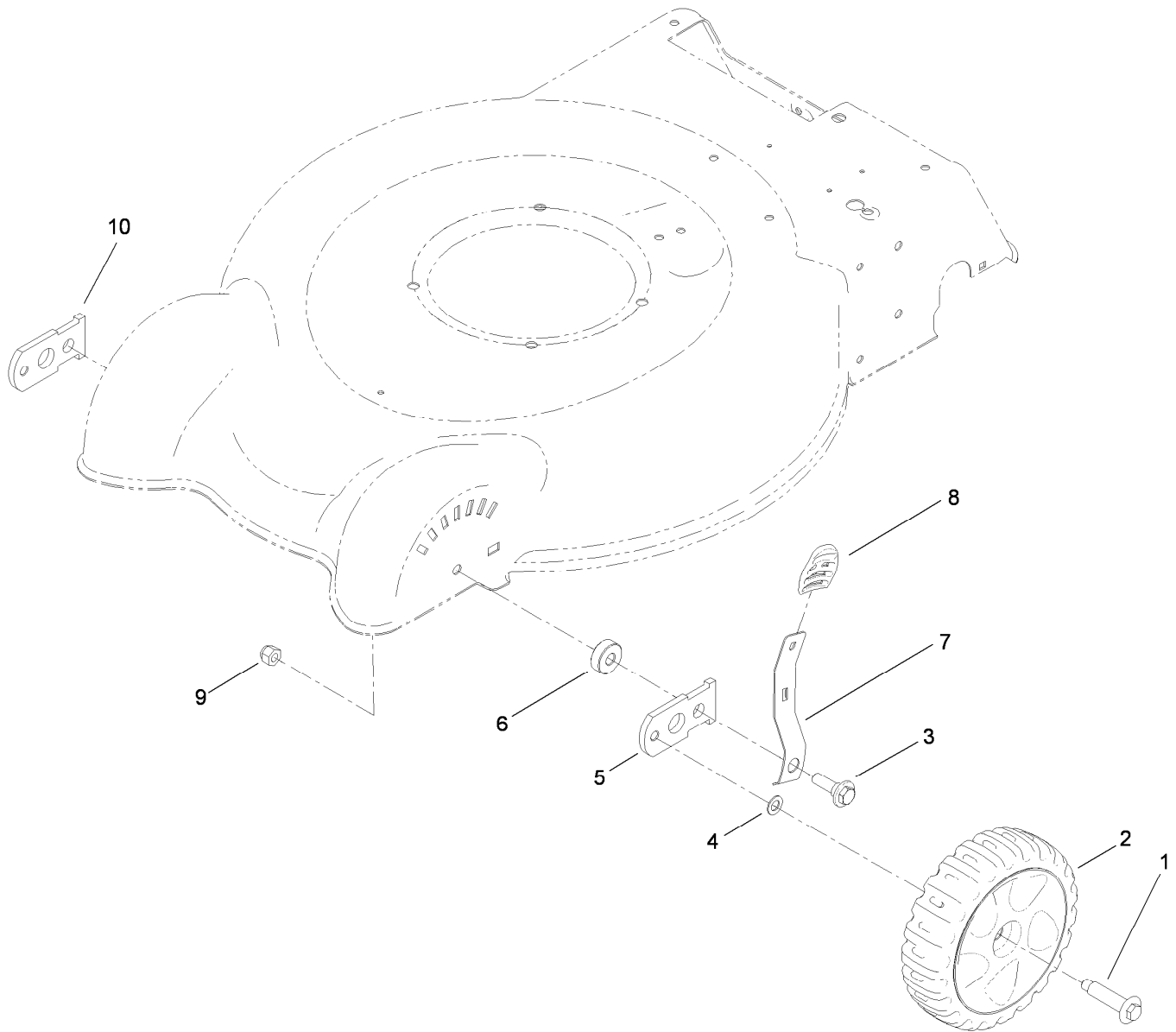
Contents

Housing and Rear Door Assembly	4
Front Wheel and Height-of-Cut Assembly	5
Transmission, Rear Wheel and Height-of-Cut Assembly	6
Engine and Blade Assembly	7
Handle Assembly	8
Rear Bag Assembly	9
Attachments and Accessories	10



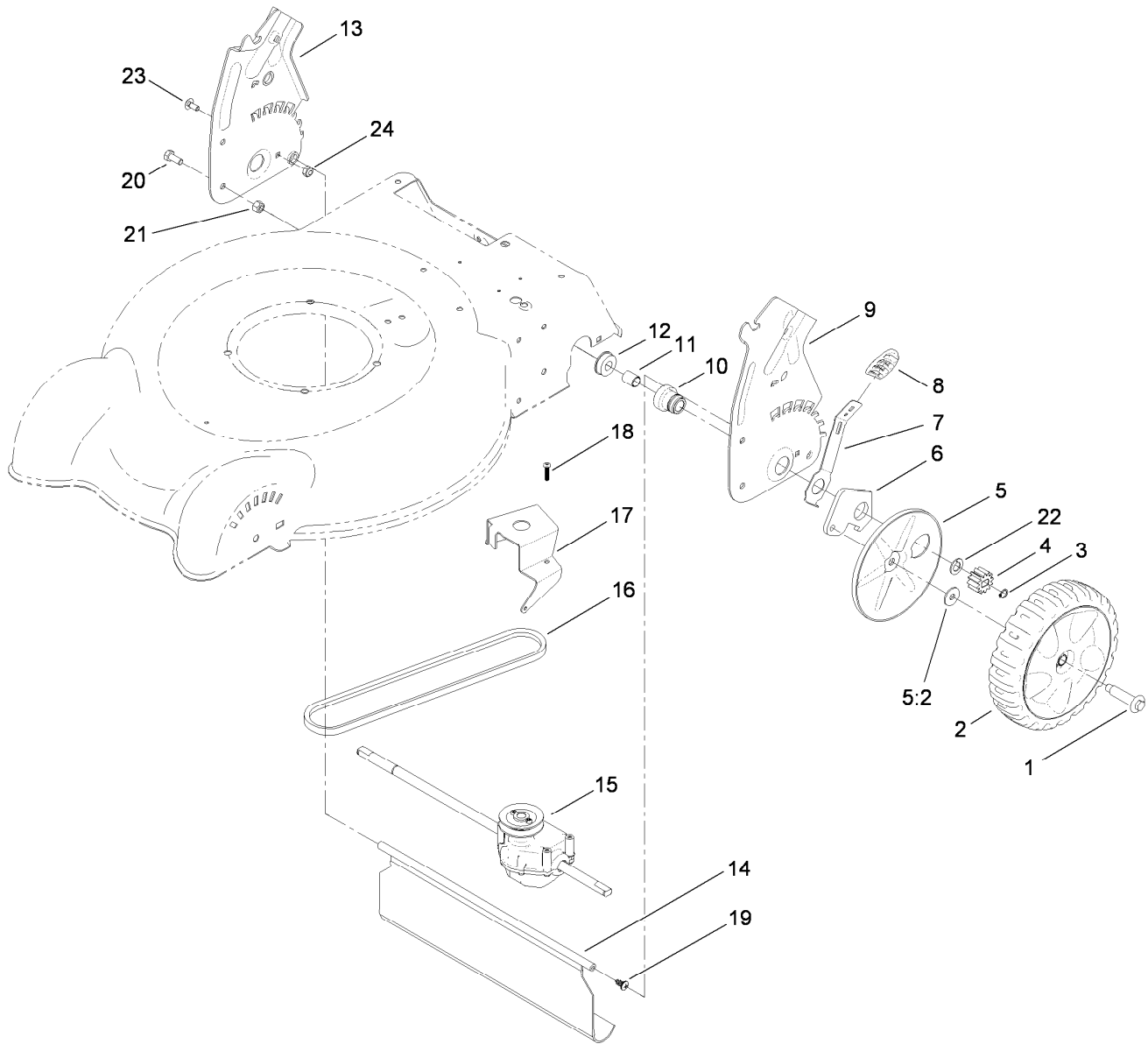
Housing and Rear Door Assembly

<i>Ref.</i>	<i>Part Number</i>	<i>Qty.</i>	<i>Description</i>
1	117-4153	1	Housing ASM
1:2	94-8072	1	Decal-Danger
1:3	117-4131	1	Decal
1:4	112-8824-02	1	Baffle-Front
2	112-8845	1	Chute-Rear
3	112-8821	1	Baffle-Rear
4	46-8091	5	Screw-HWH
6	117-5923	1	Rear Deflector ASM
7	112-8848	1	Spring-Torsion, LH
8	112-8849	1	Spring-Torsion, RH
11	46-8093	3	Screw-Plastite



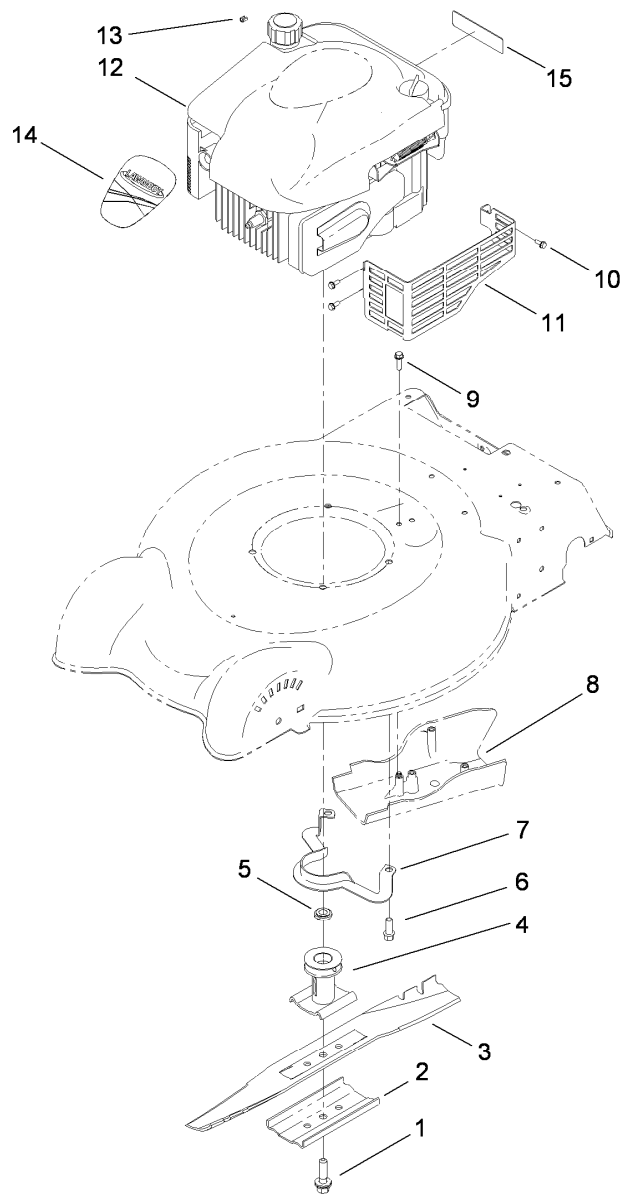
Front Wheel and Height-of-Cut Assembly

Ref.	Part Number	Qty.	Description
1	614650	2	Bolt-Shoulder
2	117-5964	2	7 Inch Wheel And Tire ASM
3	614672	2	Bolt-Shoulder
4	40-1940	2	Washer
5	107-3877	1	Arm-Pivot, RH
6	117-5997	2	Spacer-Arm, Pivot
7	112-8828	2	Arm-Spring, Front
8	105-3042	2	Knob-Lever, HOC
9	3296-59	2	Nut-Lock, NI
10	108-1044	1	Arm-Pivot, LH



Transmission, Rear Wheel and Height-of-Cut Assembly

Ref.	Part Number	Qty.	Description	Ref.	Part Number	Qty.	Description
1	614650	2	Bolt-Shoulder	13	112-8823-03	1	Plate-HOC, RH
2	119-0321	2	8 Inch Wheel Gear ASM	14	112-8768	1	Shield-Trailing
3	32151-61	2	Ring-Retaining	15	112-8831	1	Transmission ASM
4	115-4668	2	Gear-Pinion, 12T	16	110-9429	1	V-Belt
5	117-4197	2	Wheel Cover ASM	17	114-7977-03	1	Bracket-Transmission
5:2	614426	1	Washer-Stepped	18	108-7476	3	Screw-Plastite
6	108-9781	2	Arm-Pivot, Rear	19	117-1092	2	Screw-PTH
7	108-9780	2	Arm-Spring	20	322-3	4	Screw-HH
8	105-3042	2	Knob-Lever, HOC	21	3296-29	4	Nut-Lock, NI
9	112-8822-03	1	Plate-HOC, LH	22	110-7191	2	Washer-Thrust
10	108-9779	2	Retainer-Bushing, HOC	23	3229-11	2	Screw-CARR
11	108-9782	2	Bushing-Sleeve	24	3296-16	2	Nut-Lock, NI
12	104-8699	2	Bearing-Ball				

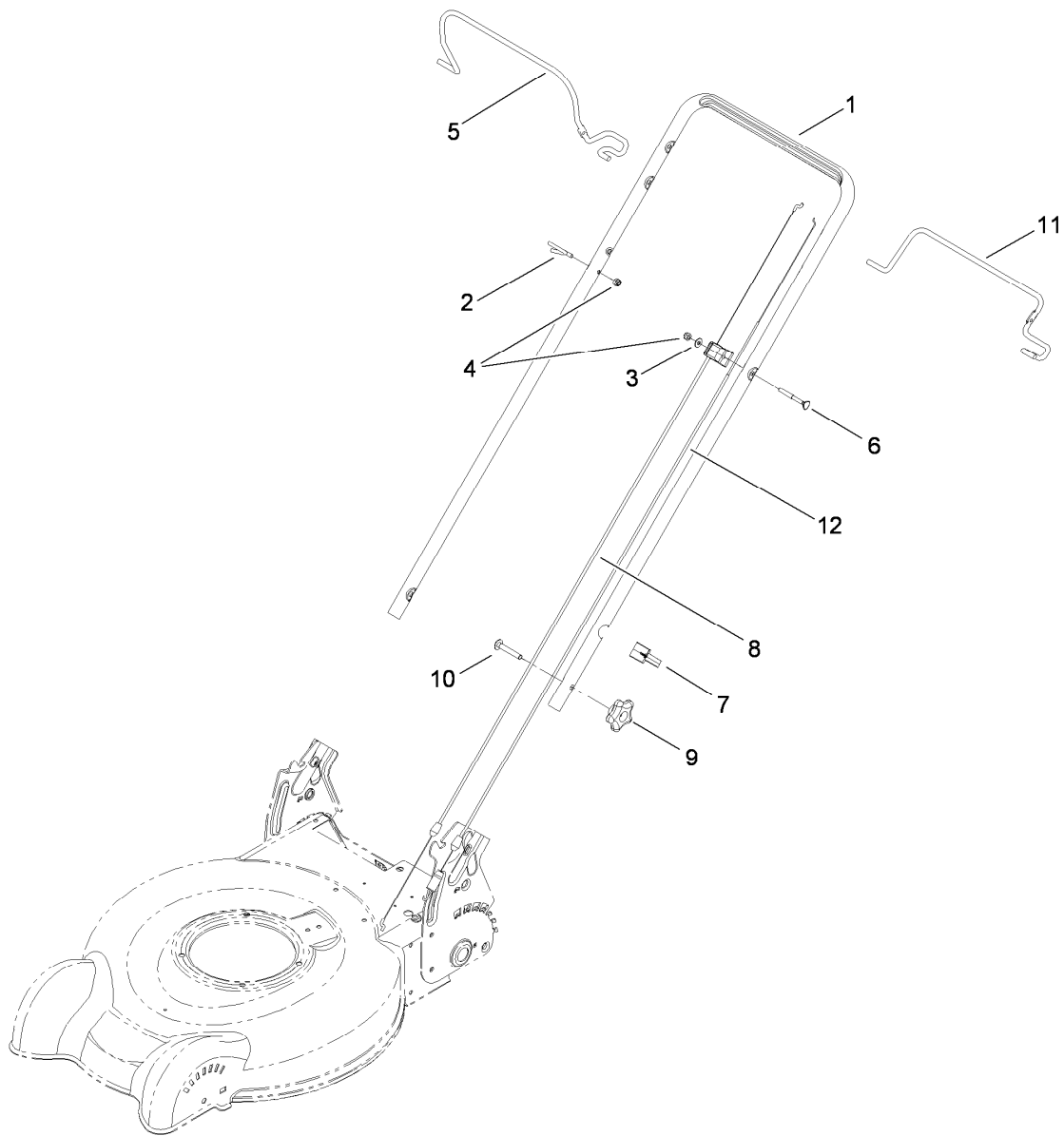


Engine and Blade Assembly

Ref.	Part Number	Qty.	Description
1	105-8579	1	Bolt-Blade
2	108-3766-03	1	Support-Blade
3	112-8841-03	1	Blade-20 Inch
4	106-3987	1	Blade Driver ASM
5	106-3999	1	Spacer-Driver
6	95-1726	3	Screw-Taptite
7	105-3030-03	1	Guide-Belt
8	112-8829	1	Cover-Belt
9	46-8091	3	Screw-HWH
10	32144-1	3	Screw-Taptite
11	104-7577-03	1	Shield-Muffler
12		1	Engine-Briggs, 126L02-3127-F1 ●■
13	2210-316	1	Stop-Rope
14	119-3802	1	Decal-Shroud
15	117-2718	1	Decal-Arrester, Spark

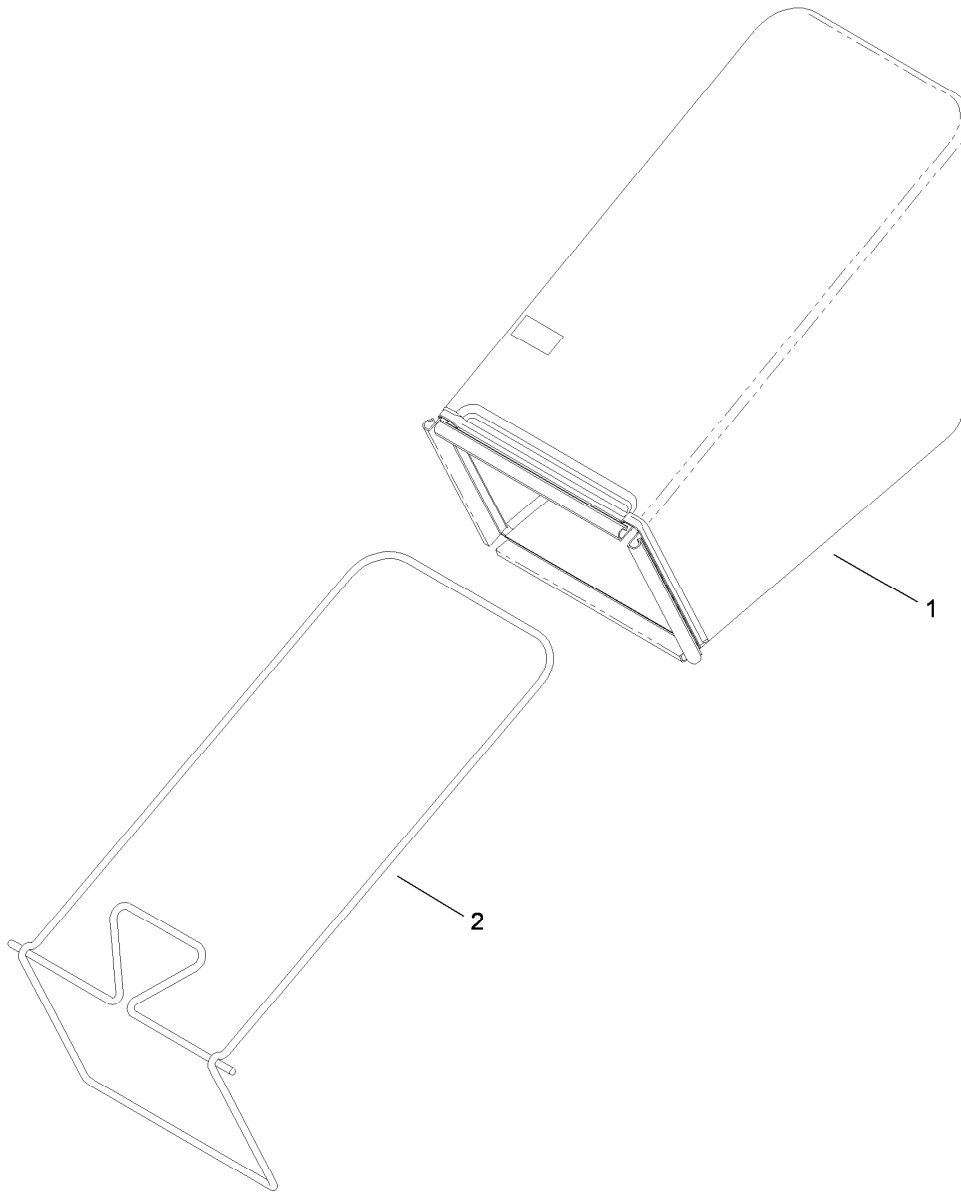
● Not serviced separately

■ Obtain parts from www.briggsandstratton.com



Handle Assembly

<i>Ref.</i>	<i>Part Number</i>	<i>Qty.</i>	<i>Description</i>
1	112-8833-05	1	Handle
2	86-9671	1	Guide-Rope
3	3256-1	1	Washer-Flat
4	3296-73	2	Nut-Lock, NI
5	112-8834-02	1	Bail-Brake, 2-Bail Flat
6	92-2270	1	Screw-Handle
7	114-7988	1	Guide-Cable
8	112-8818	1	Cable-Brake
9	117-5976	2	Knob-Handle, Locking
10	3230-6	2	Screw-CARR
11	112-8835-02	1	Bail-Traction, 2-Bail Flat
12	112-8817	1	Cable-Traction



Rear Bag Assembly

<i>Ref.</i>	<i>Part Number</i>	<i>Qty.</i>	<i>Description</i>
1	112-8836	1	Grass Bag ASM
2	112-8825-03	1	Frame-Bag

Attachments and Accessories

For 10646 20in Mulching/Rear Bagging Lawn Mower

Product Name	Model/Part
Loose Parts Kit	117-5929
Replacement Bag, 2009 and After 20in Steel Deck Lawnmowers.....	89701
Replacement Bag and Frame Kit, 2009 and After 20in Steel Deck Lawnmowers	89702
20in Replacement Blade.....	89963
Rear-Discharge Deflector, 2009 and After 20in Steel Deck Mower	89964

Notes:

