



## 20in Mulching/Rear Bagging Lawn Mower

Model No. 10646 - 290000001 and up.

### Parts Catalog

---

#### Ordering Replacement Parts

To order replacement parts, please supply the part number, the quantity, and the description of each part desired.

#### Understanding Reference Numbers

Each Identified part in an illustration has a reference number. The reference number for a part also appears in the parts list, along with other information about the part.

This catalog uses two special reference number formats, one to indicate parts in a service assembly and another to indicate the quantity of a given part in an illustration.

#### Service Assembly Reference Numbers

Parts in service assemblies have reference numbers in the form a:b. The a represents the reference number of the entire service assembly and the b represents a sequential number unique to each part within the service assembly.

For example, a wheel assembly might be identified by reference number 6, the tire by 6:1, the valve by 6:2, and the wheel by 6:3. When you order the assembly identified by reference number 6, you receive all parts identified by reference numbers 6:1, 6:2, and 6:3. However, you may also order any part individually. Reference numbers of this type appear in illustrations and in part lists.

#### Reference Numbers Indicating Quantity

In an illustration, if a reference number indicates more than one part, the reference number has the form nX y. The n represents the quantity of the part, the X is the multiplication symbol, and the y represents the reference number.

For example, in an illustration, the reference number 2X 37 means that two of the parts identified by reference number 37 are indicated.

## Contents

Description	Page	Description	Page
Housing Assembly	..... 3	Engine and Blade Assembly	..... 6
Front Axle Assembly	..... 4	Handle and Control Assembly	..... 7
Rear Axle and Transmission Assembly	..... 5	Rear Bag Assembly	..... 8
		Attachments and Accessories List	..... 9

## Part Description Abbreviations

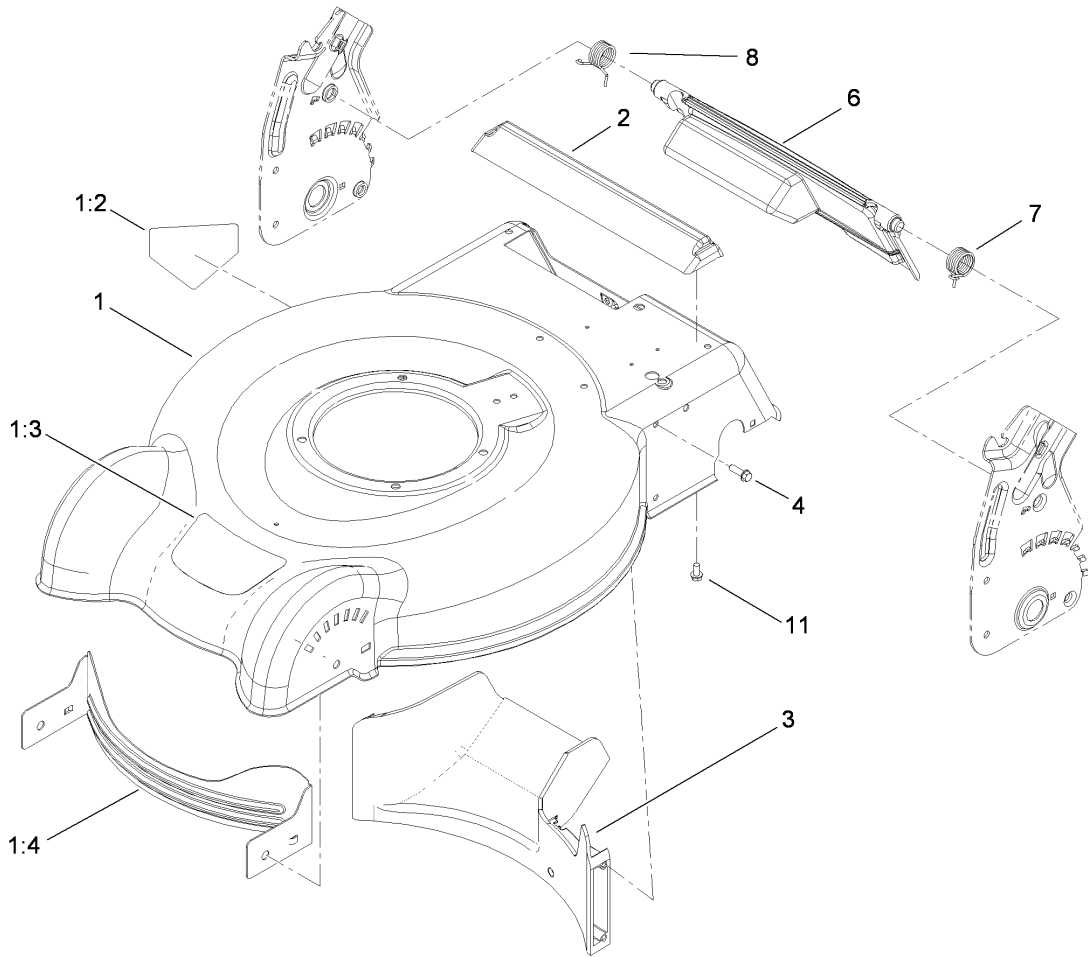
Part descriptions in this catalog may include the following abbreviations.

AR. .... as required	HYD. .... hydraulic
ASM. .... assembly	LH. .... left hand
BBC. .... blade brake clutch	NI. .... nylon insert
CARR. .... carriage	NPTF. .... national pipe thread fine
DEG. .... degrees	PFH. .... phillips flat head
EXT. .... external	PPH. .... phillips pan head
FH. .... flat head	PPHTF. .... phillips pan head thread forming
GA. .... gauge	PRH. .... phillips round head
HD. .... heavy-duty	PTH. .... phillips truss head
HF. .... hex flange	PTO. .... power-take-off
HH. .... hex head	RH. .... right hand
HHF. .... hex head flange	ROPS. .... roll-over protection system
HHFTF. .... hex head flange thread forming	SFH. .... slotted fillister head
HJ. .... hex jam	SHH. .... slotted hex head
HLH. .... hex lag head	SHWH. .... slotted hex washer head
HOC. .... height-of-cut	SPH. .... slotted pan head
HSBH. .... hex socket button head	SQH. .... square head
HSFH. .... hex socket flat head	SRH. .... slotted round head
HSH. .... hex socket head	STD. .... standard
HWH. .... hex washer head	TAP. .... self tapping
HWHTF. .... hex washer head thread forming	TTH. .... torx truss head

## Footnotes

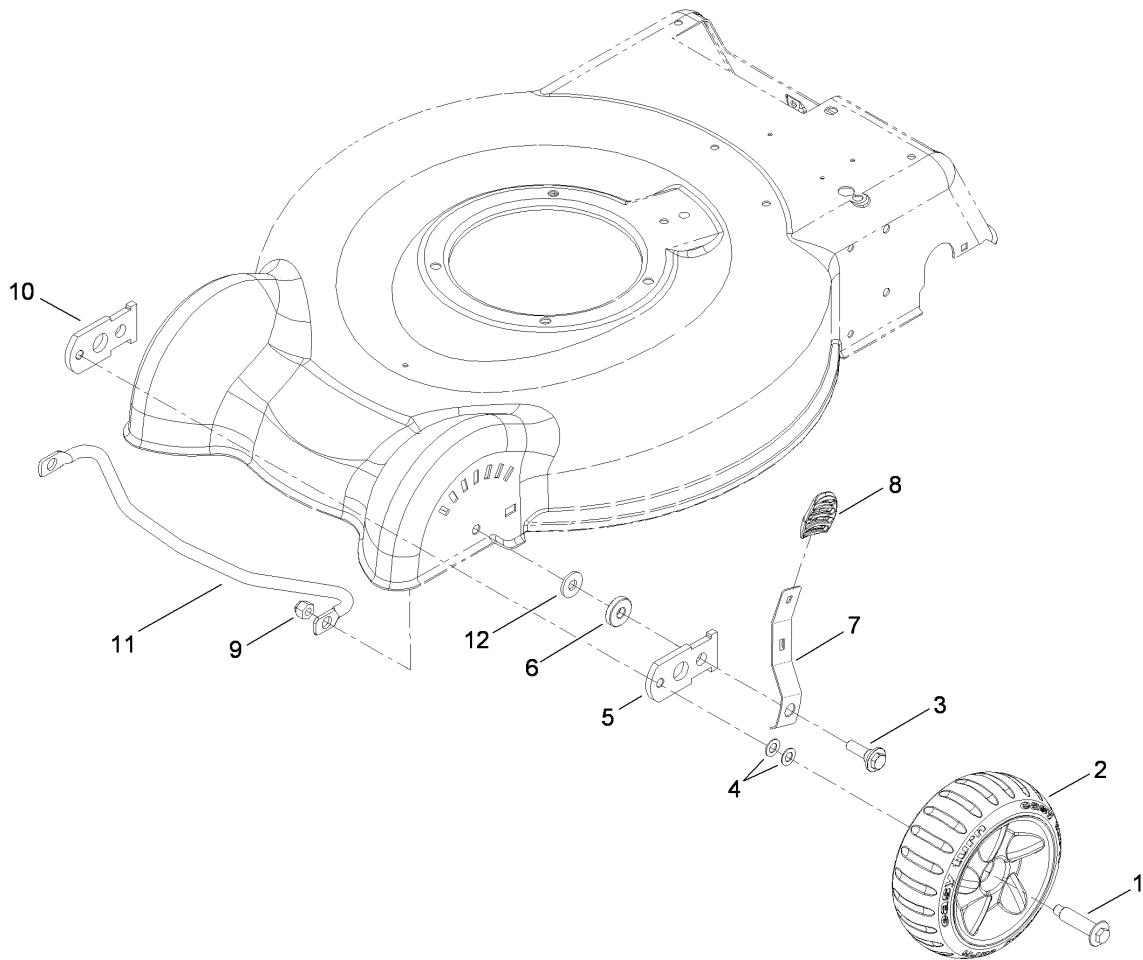
❶ Not serviced separately

❷ Obtain from your local Briggs & Stratton dealer



### Housing Assembly

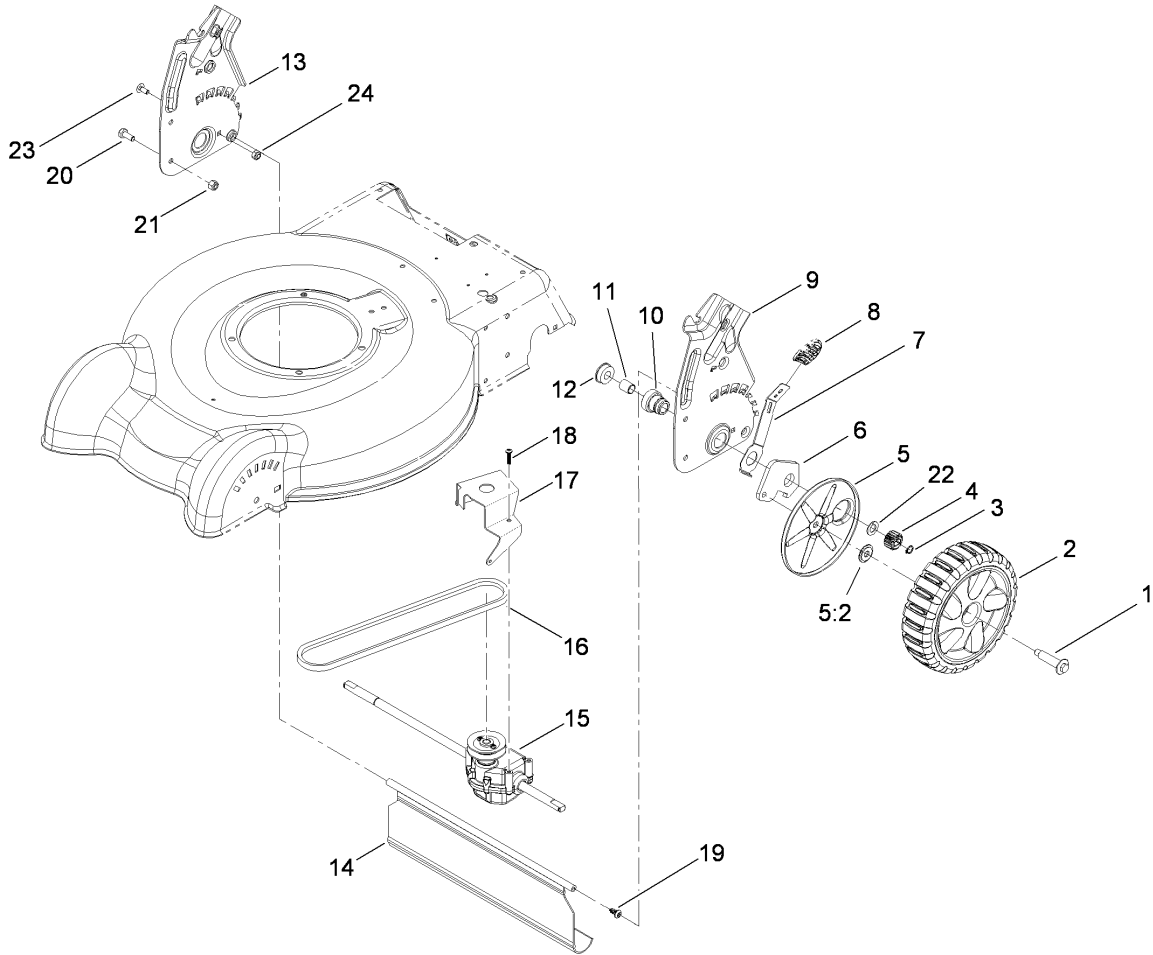
Ref	Part No.	Qty.	Description
1	117-4153	1	Housing ASM
1:2	94-8072	1	Decal-Danger
1:3	117-4131	1	Decal
1:4	112-8824-02	1	Baffle-Front
2	112-8845	1	Chute-Rear
3	112-8821	1	Baffle-Rear
4	46-8091	5	Screw-HWH
6	117-5923	1	Rear Deflector ASM
7	112-8848	1	Spring-Torsion, LH
8	112-8849	1	Spring-Torsion, RH
11	46-8093	3	Screw-Plastite



### Front Axle Assembly

Ref	Part No.	Qty.	Description
1	614650	2	Bolt-Shoulder
2	112-1548	2	7 Inch Front Wheel ASM
3	614672	2	Bolt-Shoulder
4	40-1940	4	Washer
5	107-3877	1	Arm-Pivot, RH
6	92-4890	2	Washer
7	112-8828	2	Arm-Spring, Front
8	105-3042	2	Knob-Lever, HOC
9	3296-39	2	Nut-Lock, NI
10	108-1044	1	Arm-Pivot, LH
11	117-4161	1	Brace-Front
12	80-6990	2	Washer-Hardened

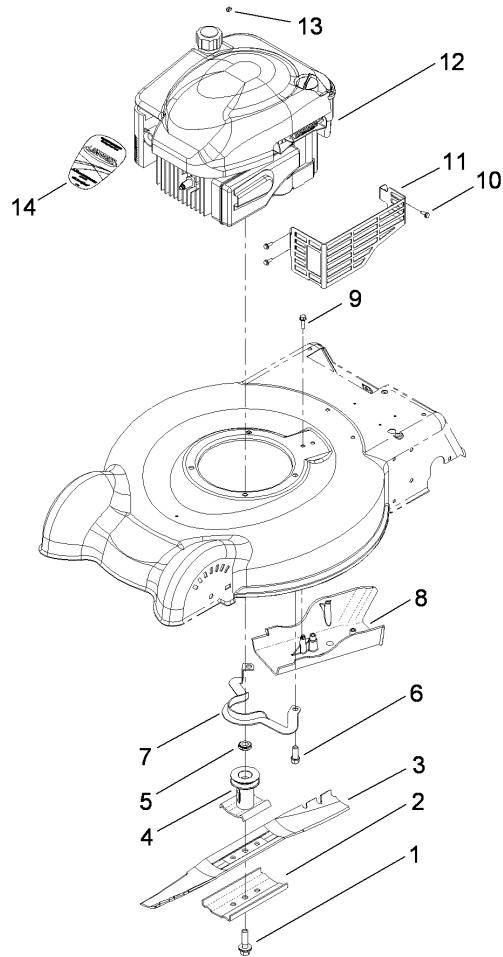
--	--	--	--



## Rear Axle and Transmission Assembly

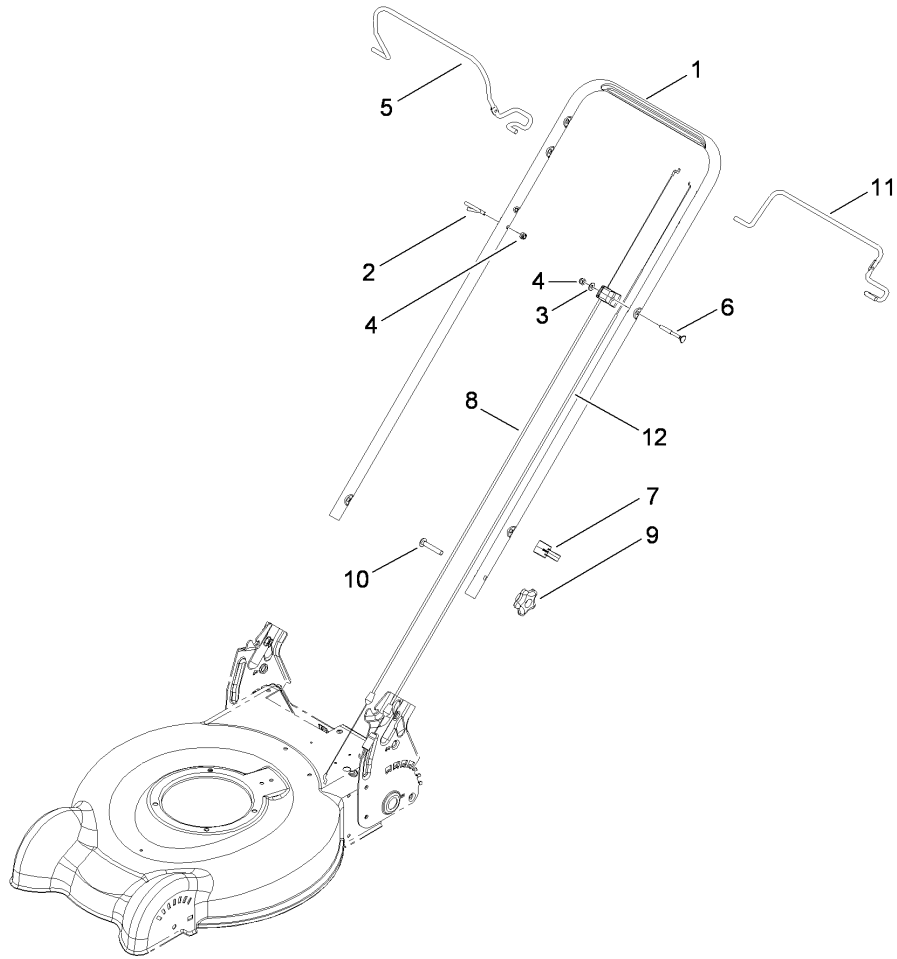
Ref	Part No.	Qty.	Description
1	614650	2	Bolt-Shoulder
2	107-3906	2	Rear Wheel ASM
3	32151-61	2	Ring-Retaining
4	110-9417	2	Pinion
5	110-1793	2	Wheel Cover ASM
5:2	614426	1	Washer-Stepped
6	108-9781	2	Arm-Pivot, Rear
7	108-9780	2	Arm-Spring
8	105-3042	2	Knob-Lever, HOC
9	112-8822-03	1	Plate-HOC, LH
10	108-9779	2	Retainer-Bushing, HOC
11	108-9782	2	Bushing-Sleeve
12	104-8699	2	Bearing-Ball
13	112-8823-03	1	Plate-HOC, RH
14	112-8768	1	Shield-Trailing
15	112-8831	1	Transmission ASM
16	110-9429	1	V-Belt
17	114-7977-03	1	Bracket-Transmission
18	108-7476	3	Screw-Plastite
19	117-1092	2	Screw-PPH
20	322-3	4	Screw-HH
21	3296-29	4	Nut-Lock, NI
22	110-7191	2	Washer-Thrust
23	3229-11	2	Screw-CARR

Ref	Part No.	Qty.	Description
24	3296-16	2	Nut-Lock, NI



## Engine and Blade Assembly

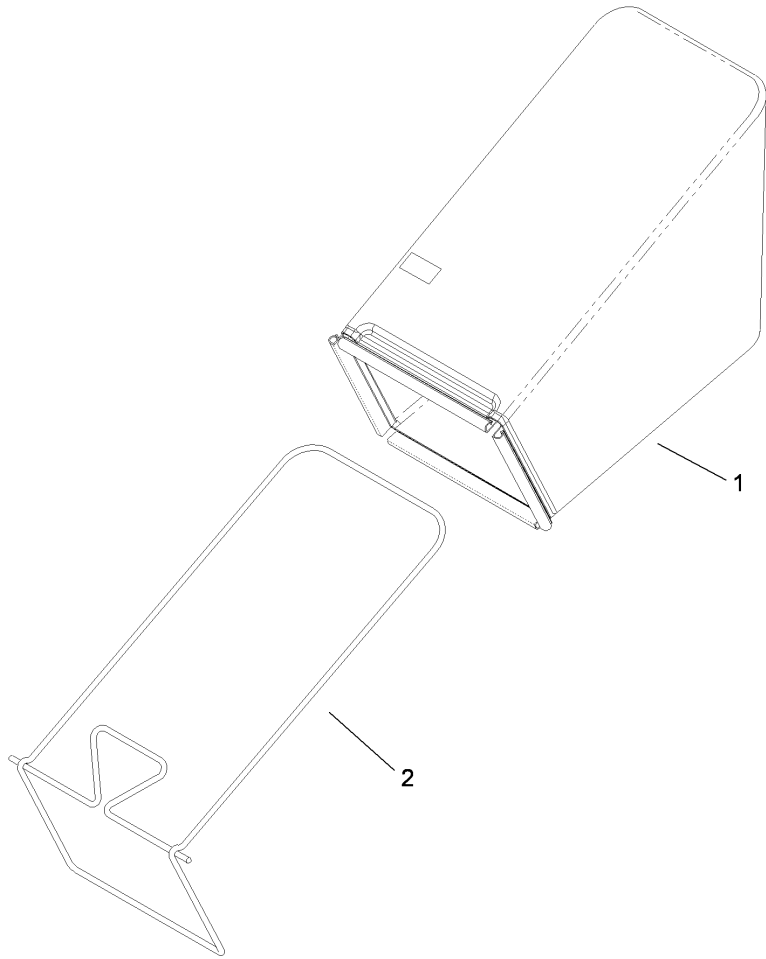
Ref	Part No.	Qty.	Description				
1	105-8579	1	Bolt-Blade				
2	108-3766-03	1	Support-Blade				
3	112-8841-03	1	Blade-20In				
4	106-3987	1	Blade Driver ASM				
5	106-3999	1	Spacer-Driver				
6	95-1726	3	Screw-Taptite				
7	105-3030-03	1	Guide-Belt				
8	112-8829	1	Cover-Belt				
9	46-8091	3	Screw-HWH				
10	32144-1	3	Screw-Taptite				
11	104-7577-03	1	Shield-Muffler				
12		1	Engine-Briggs, 124L02-0127-F1				
13	2210-316	1	Stop-Rope				
14	112-8844	1	Decal				



## Handle and Control Assembly

Ref	Part No.	Qty.	Description
1	112-8833-05	1	Handle
2	86-9671	1	Guide-Rope
3	3256-1	1	Washer-Flat
4	3296-73	2	Nut-Lock, NI
5	112-8834-02	1	Bail-Brake, 2-Bail Flat
6	92-2270	1	Screw-Handle
7	106-6805	1	Guide-Cable
8	112-8818	1	Cable-Brake
9	108-8162	2	Knob-Locking
10	3230-6	2	Screw-CARR
11	112-8835-02	1	Bail-Traction, 2-Bail Flat
12	112-8817	1	Cable-Traction

--	--	--	--



### Rear Bag Assembly

Ref	Part No.	Qty.	Description
1	112-8836	1	Grass Bag ASM
2	112-8825-03	1	Frame-Bag

|--|--|--|--|



# Attachments and Accessories

## For 10646 - 20in Mulching/Rear Bagging Lawn Mower

Product Name	Model/Part
Loose Parts Kit .....	117-5929
Replacement Bag, 2009 and After 20in Steel Deck Lawnmowers .....	89701
Replacement Bag and Frame Kit, 2009 and After 20in Steel Deck Lawnmowers .....	89702
20in Replacement Blade .....	89963

# NOTES

# NOTES

