

# **LAWN-BOY®**

## **21" SILVER SERIES WALK-BEHIND MOWER**

**HAND PUSH**

**MODEL NO.10201-4900001 & UP**

**SELF PROPELLED**

**MODEL NO.10301-4900001 & UP**

---

## **PARTS CATALOG**

## PRODUCT CHANGES

In an effort to make improvements available to LAWN-BOY owners as quickly as possible, minor changes are incorporated into LAWN-BOY products from time to time that do not become immediately shown in the Parts Catalog. If such a change has been made in your unit, which is not reflected in your Parts Catalog, see your LAWN-BOY Distributor or his Authorized LAWN-BOY Service Dealer for information and part numbers.

## IDENTIFICATION AND ORDERING

### MODEL AND SERIAL NUMBERS

The Product has two identification numbers; a model number and a serial number. The two numbers are stamped on a plate mounted on the deck. In any correspondence concerning the Product, supply model and serial numbers to assure that correct information and replacement parts are obtained.

To order replacement parts from an Authorized Service Dealer, supply the following information:

1. Model and serial number.
2. Part number, description, and the quantity of part(s) desired.

**NOTE:** Do not order by reference number if a parts catalog is being used; use the PART NUMBER.

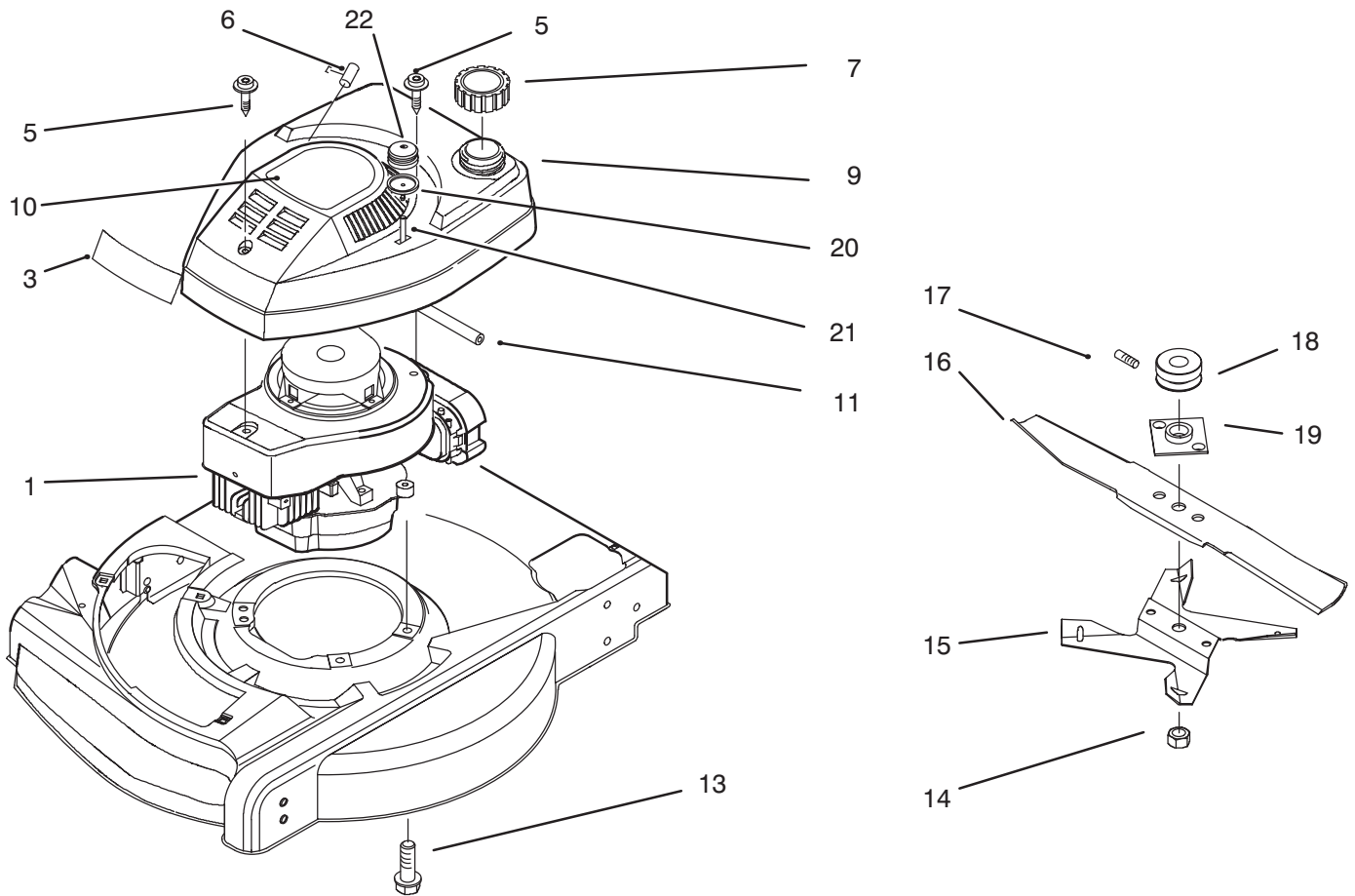
# TABLE OF CONTENTS

Description	Page	Description	Page
2 Cycle Engine, Fuel Tank And Blade Assembly .....	1	Gear Case Assembly .....	5
Deck And Wheel Assembly (Hand Push) ( Model No. 10201) .....	2	Handle Assembly .....	6
Deck And Wheel Assembly (Self Propelled) ( Model No. 10301) .....	3	Engine Assembly .....	7-9
Rear Axle Assembly .....	4	Recoil Starter Assembly .....	10
		Carburetor Assembly .....	11
		Lawn-Boy Part Number Index .....	12

## Accessories

Description	Model / Parts No.	Description	Model / Parts No.
Cover Plate, Mulch .....	614545 or 89864	must use Side Chute Attachment.	
Cover Plate, Side Discharge .....	607560	Grass Bag .....	89816
Rear Catcher Assembly .....	89800	must use Side Chute Attachment.	
Side Catcher Assembly .....	89814		
Side Chute Attachment .....	89852		
Leaf Shredder Attachment .....	89860		
Replacement Bags			
Leaf Bag .....	89818		

**Note:**  
Your Model Lawnmower may have been purchased with one or more accessories.



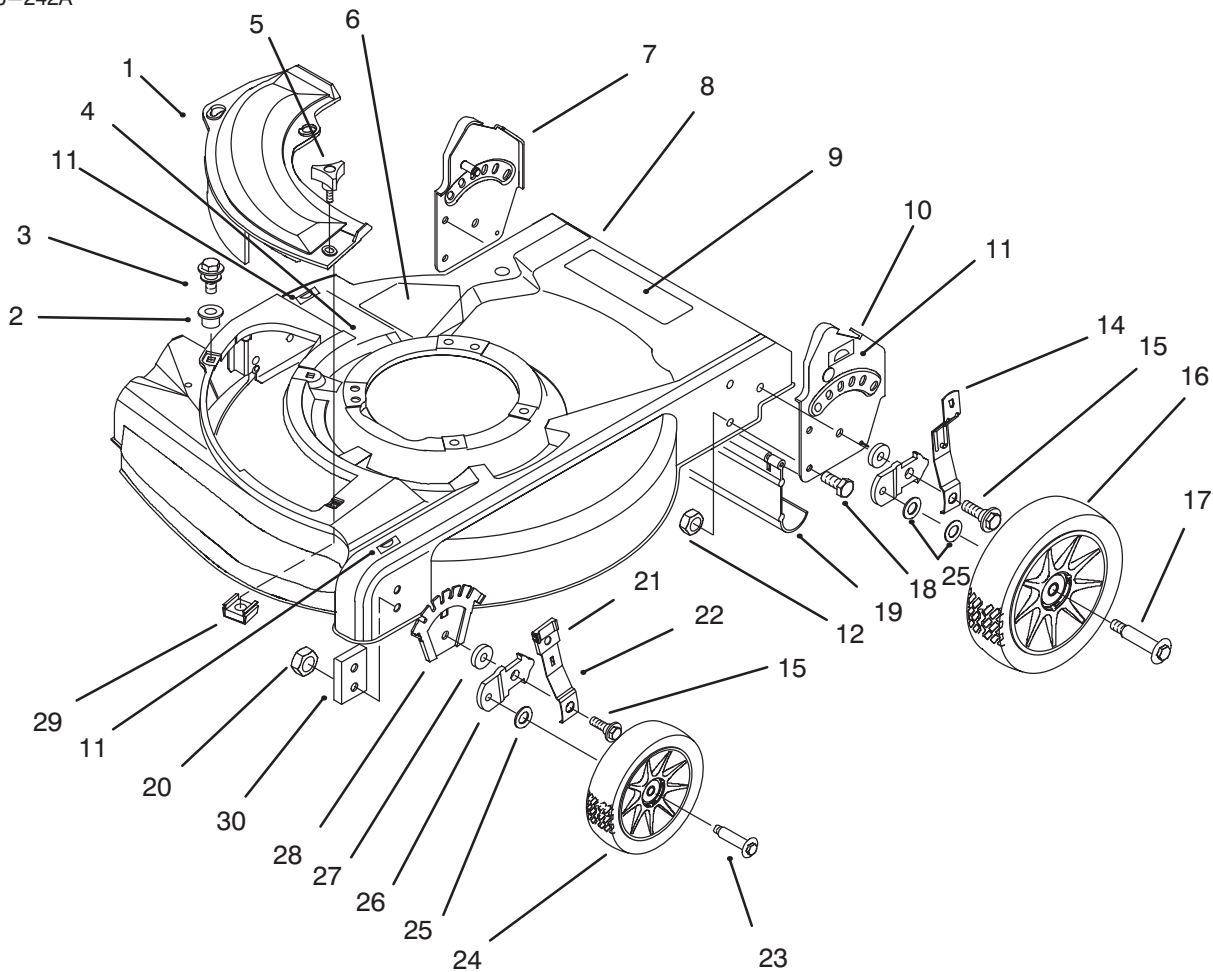
C-1287

## 2 CYCLE ENGINE, FUEL TANK & BLADE ASSEMBLY

Ref. No.	Part No.	Description	No. Used
1		Engine Ass'y - 2 Cycle	1
3	92-8615	Applique	1
5	614689	Screw	3
6	92-1701	Stop - Rope	1
7	684751	Cap Assembly - Fuel Includes	
*	609150	Baffle	1
*	613311	Gasket	1
*	614271	Cover	1
9	92-6380	Shroud & Tank Ass'y	1
10	92-9569	Decal - Shroud (Hand Push)	1
*	92-9570	Decal - Shroud,	

Ref. No.	Part No.	Description	No. Used
		(Self Propelled)	1
11	612782	Hose - Gas	1
13	92-1624	Screw - Engine Mount	3
14	603164	Nut - Blade	1
15	92-1630	Fan - Mulching	1
16	612543	Blade - 21"	
17	613227	Screw - Set, Pulley	1
18	92-6542	Pulley - Engine	1
19	677525	Plate & Collar Ass'y	1
20	44-2750	Body - Primer	1
21	44-3174	Hose - Primer	1
22	66-7460	Bulb - Primer	1

\*Not Illustrated



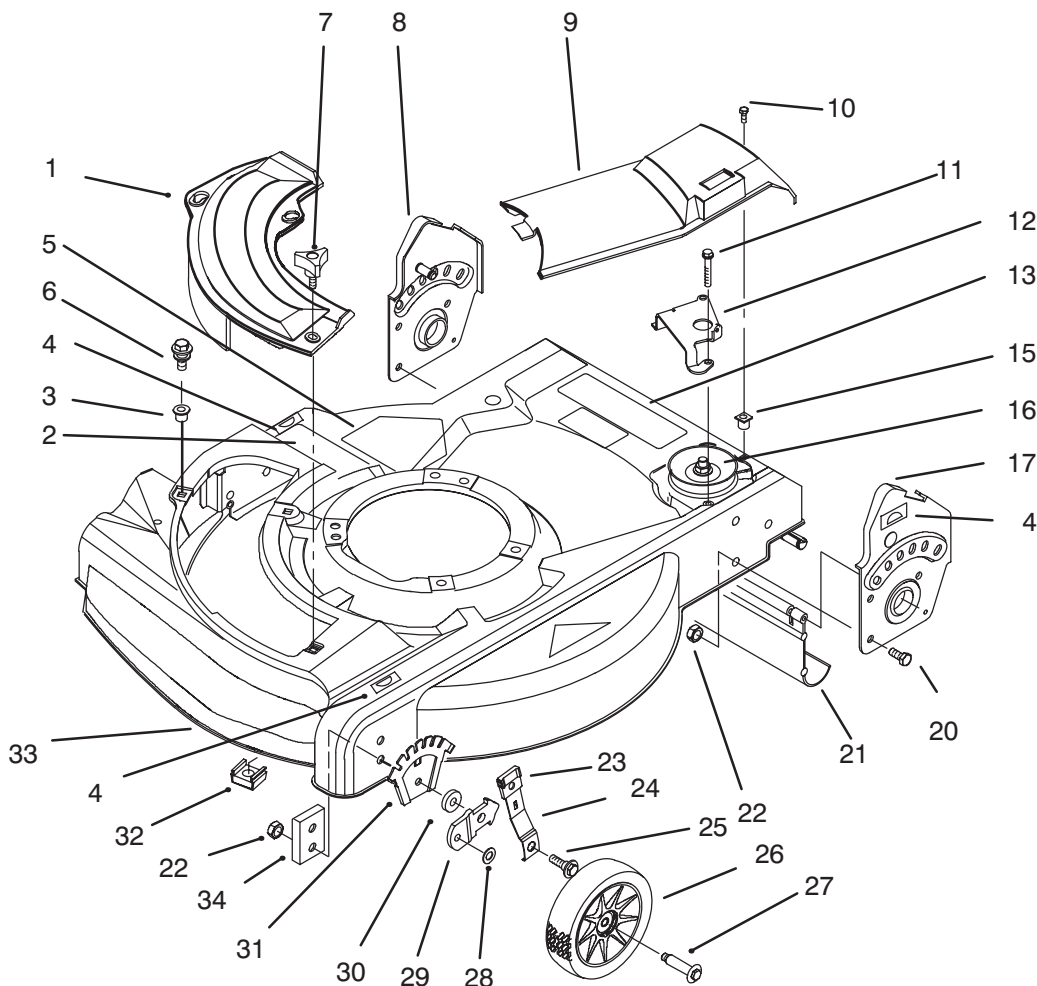
C-1288A

## DECK & WHEEL ASSEMBLY (Hand Push)

Ref. No.	Part No.	Description	No. Used
1	92-8630	Cover Plate, Mulch	1
*	607560	Cover Plate	1
2	604604	Grommet - Plastic	2
3	614677	Screw - Thread Forming	2
4	92-1097	Decal - Danger (English)	1
*	92-5428	Decal - Danger (French/English)	1
5	614682	Knob	1
6	39-5770	Decal - Danger (English)	1
*	92-5429	Decal - Danger (French/English)	1
7	92-7742	Handle Bracket Ass'y - RH	1
8	16-4359	Housing & Baffle Ass'y (Incl. ref. #2- 6, 9, 11 & 29)	1
9	92-4981	Decal - Danger (English)	1
*	92-5427	Decal - Danger (French English)	1
10	92-7743	Handle Bracket Ass'y - LH	1
11	92-2915	Decal - H. O. C. L.H.	2

Ref. No.	Part No.	Description	No. Used
*	92-2914	Decal - H. O. C. R.H.	2
12	3296-29	Nut	4
14	92-1005	Spring Arm Assembly	2
15	614672	Bolt - Shoulder	4
16	684777	Wheel Ass'y - 8"	2
17	614650	Bolt - Wheel	2
18	322-3	Screw - Hex Head	4
19	92-8647	Shield - Trailing	1
20	3296-39	Nut	2
21	92-1008	Knob - H. O. C. Lever	4
22	614687	Spring Arm Assembly, Front	2
23	92-1099	Bolt - Wheel	2
24	684776	Wheel Ass'y - 6"	2
25	40-1940	Washer - Wheel Bolt	4
26	614637	Bracket - H. O. C.	4
27	92-4890	Washer	4
28	92-4881	Plate - H. O. C. Front	2
29	613765	Nut - Cage	1
30	92-7731	Plate - Baffle	2

\*Not Illustrated

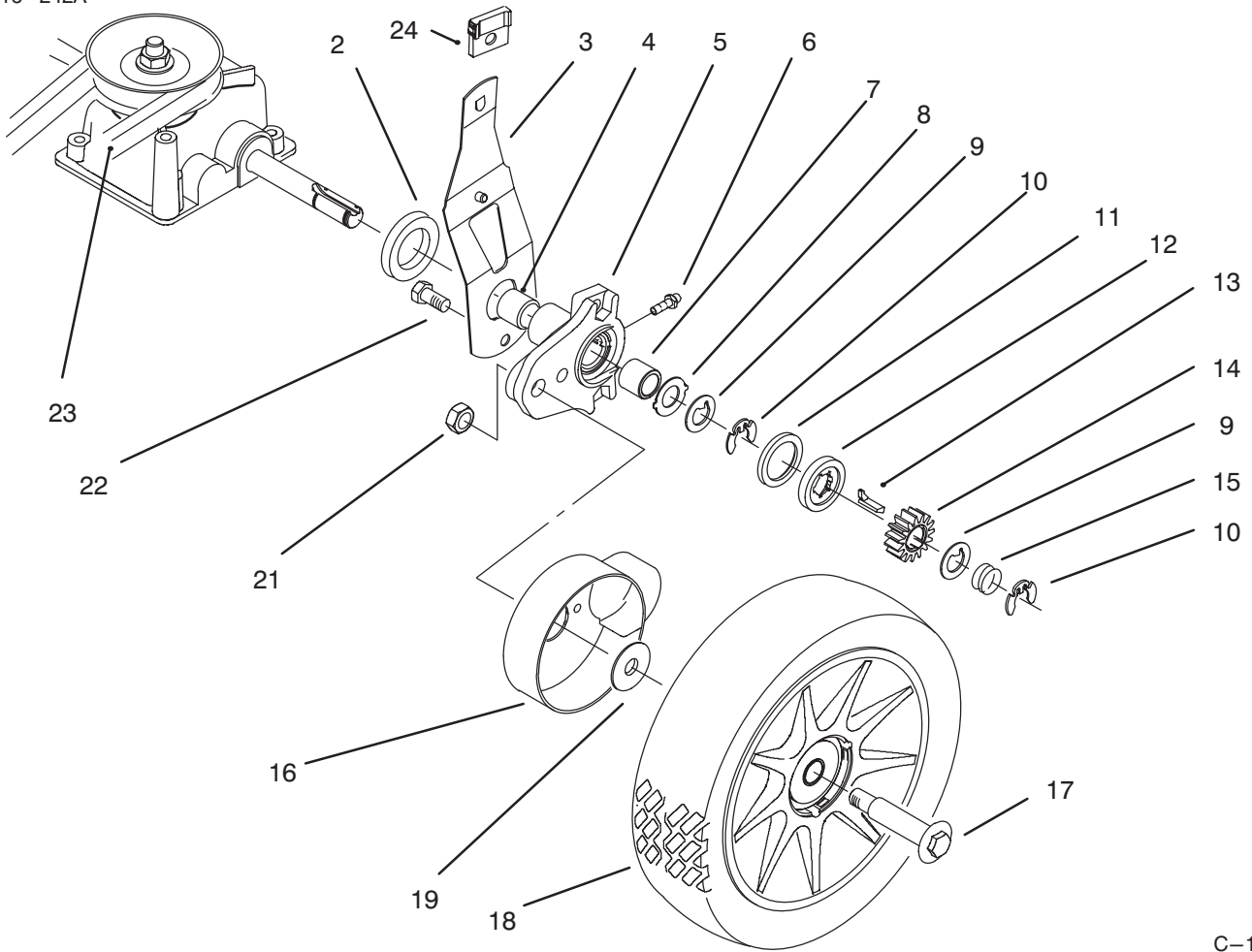


C-1289A

## DECK & WHEEL ASSEMBLY (Self Propelled)

Ref. No.	Part No.	Description	No. Used	Ref. No.	Part No.	Description	No. Used
1	92-8630	Cover Plate, Mulch	1				
*	607560	Cover Plate	1	15	605120	(French/English) Grommet - Shroud Mtg.	1
2	92-1097	Decal - Danger (English)	1	16	92-7735	Gear Case Ass'y	1
*	92-5428	Decal - Danger (French/English)	1	17	92-7724	Handle Bracket Ass'y - LH	1
3	604604	Grommet - Plastic	2	20	322-3	Screw - Hex. Hd.	6
4	92-2915	Decal - H. O. C. LH	2	21	92-8647	Shield - Trailing	1
*	92-2914	Decal - H. O. C. RH	2	22	3296-29	Nut	6
5	39-5770	Decal - Danger (English)	1	23	92-1008	Knob - H. O. C.	4
*	92-5429	Decal - Danger (French/English)	1	24	614687	Arm - Spring	2
6	614677	Screw - Thread Forming	2	25	614672	Bolt - Shoulder	2
7	614682	Knob	1	26	684776	Wheel Assembly - 6"	2
8	92-7723	Handle Bracket Ass'y - RH	1	27	92-1099	Bolt - Wheel	2
9	614671	Cover - Drive	1	28	40-1940	Washer	2
10	32144-115	Screw	1	29	614637	Bracket - H. O. C.	2
11	49-2040	Screw - Thread Forming	2	30	92-4890	Washer	2
12	92-7728	Guide - Transmission	1	31	92-4881	Plate H. O. C.	2
13	92-4981	Decal - Warning (English)	1	32	613765	Nut - Cage	1
*	92-5427	Decal - Warning	1	33	16-4369	Housing & Baffle Ass'y (Incl. Ref. # 2-6, 13 & 32)	1
				34	92-7731	Plate - Baffle	2

\*Not Illustrated

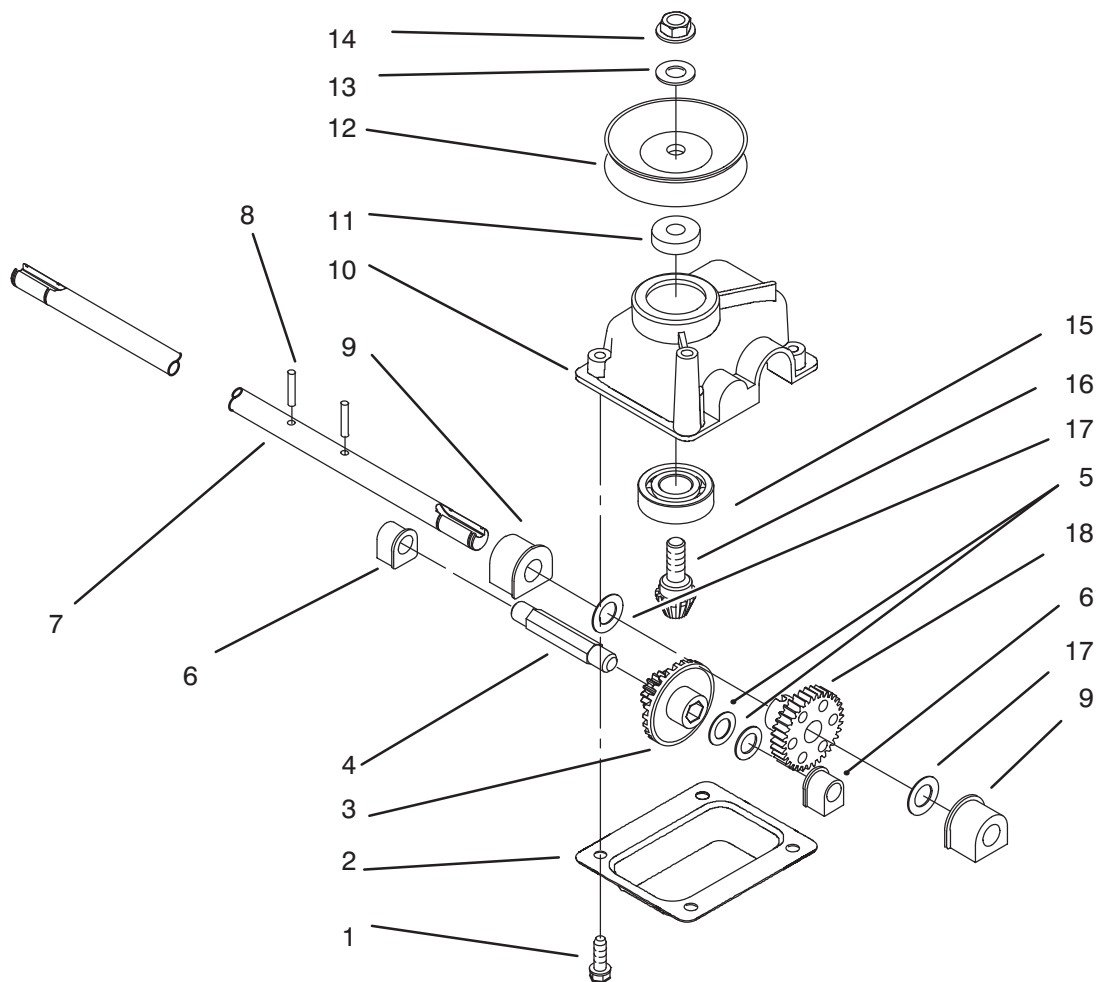


C-1291

## REAR AXLE ASSEMBLY

Ref. No.	Part No.	Description	No. Used
2	614447	Spacer – Axle Shaft	2
3	92-1004	Spring Arm Ass'y	2
4	70-9760	Bushing	2
5	92-7746	Pivot Arm Ass'y – Rear	2
6		Fitting – Grease (Ref.)	2
7	47-2900	Bushing	2
8	65-4730	Washer – Thrust Pivot Arm	2
9	65-4740	Washer – Thrust, Keyed	4
10	65-2720	Ring – Klip	4
11	65-4710	Ring – Friction	2
12	65-4760	Washer – Clutch, Plastic	2
13	66-6050	Key – Rocking LH	1

Ref. No.	Part No.	Description	No. Used
*	66-6040	Key – Rocking, RH	1
14	65-4750	Gear – Pinion	2
15	65-4720	Spring – Compression	2
16	614427	Cover Wheel	2
17	92-1057	Bolt – Wheel	2
18	92-1042	Wheel Ass'y – 8"	2
19	614426	Washer – Stepped	2
21	610358	Nut	2
22	32144-85	Screw	2
23	92-1043	"V" Belt	1
24	92-1008	Knob	2

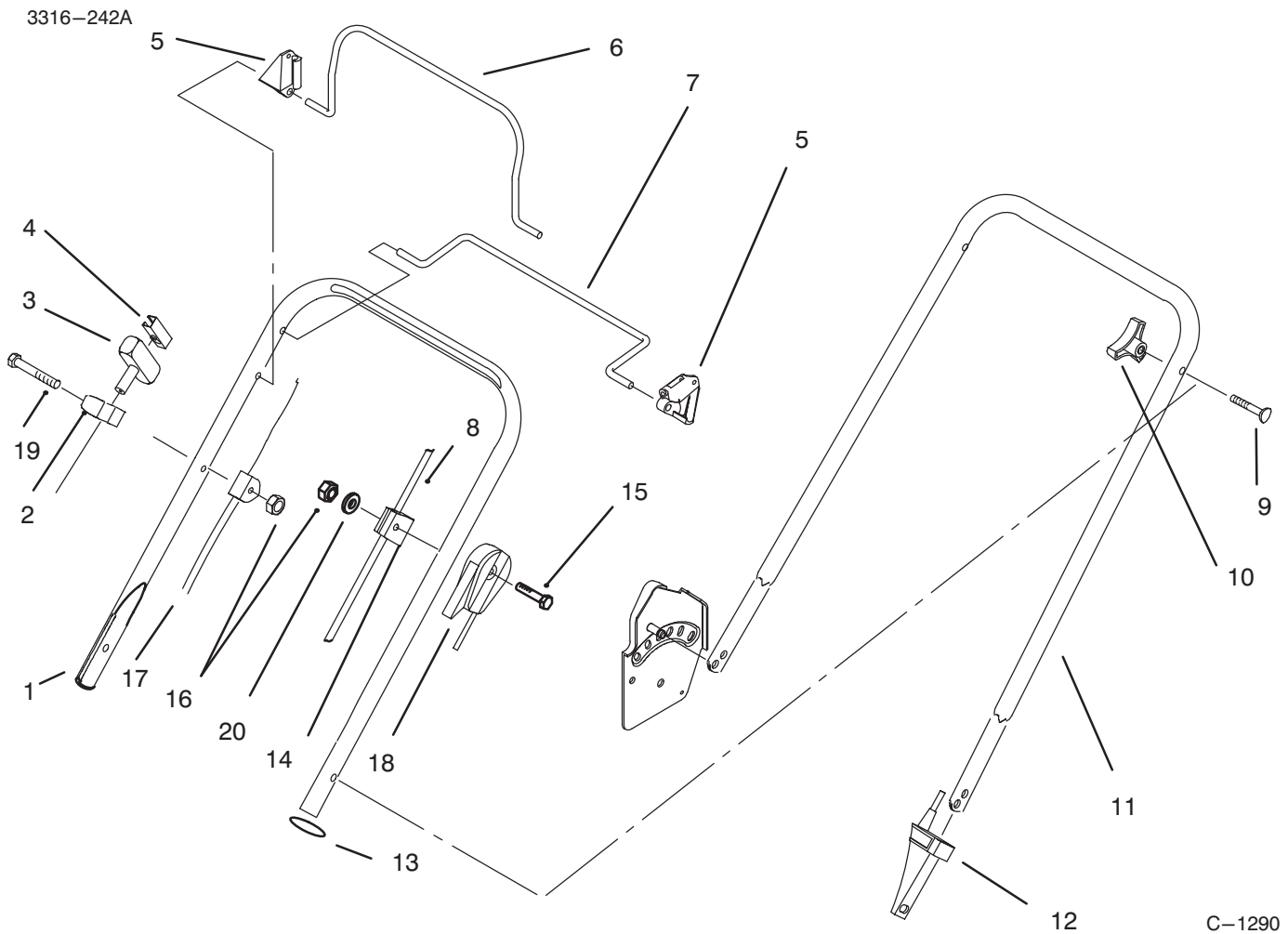


C-1292

## GEAR CASE ASSEMBLY

Ref. No.	Part No.	Description	No. Used	Ref. No.	Part No.	Description	No. Used
1	32144-4	Screw - Taptite	4	10	92-7727	Gearcase	1
2	614668	Cover - Gear Case	1	11	62-6660	Spacer	1
3	55-3760	Pinion - 15 Tooth	1	12	614669	Pulley - Half	2
4	614696	Shaft - Intermediate	1	13	3256-24	Washer	1
5	36-4791	Washer	2	14	3296-5	Nut	1
6	60-8750	Bushing	2	15	38-7820	Bearing - Ball	1
7	614666	Shaft - Output	1	16	60-8890	Gear - Bevel Pinion	1
8	3285-19	Pin - Groove	2	17	36-4780	Washer - Thrust	2
9	60-8850	Bushing - Output	2	18	614596	Gear 34 Tooth	1

\*Not Illustrated

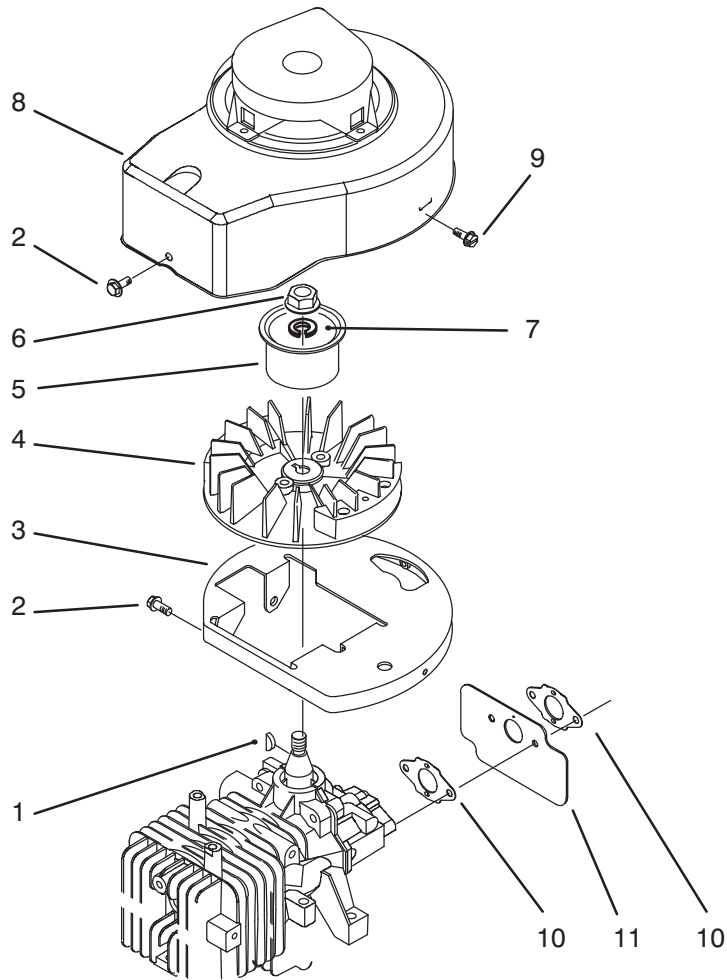


## HANDLE ASSEMBLY

Ref. No.	Part No.	Description	No. Used
1	92-7737	Handle – Upper	1
2	92-7720	Guide – Rope	1
3	612825	Handle – Starter	1
4	612824	Clip – Rope Insert	1
5	92-5412	Stop – Pivot	2
6	92-1002	Bail – Brake	1
7	92-1001	Bail – Control (Self Propelled)	1
8	92-7726	Cable – Traction	1
9	614697	Screw – Handle	2
10	614243	Knob – Handle	2
11	614643	Handle – Lower	1

Ref. No.	Part No.	Description	No. Used
12	614693	Anchor – Cable, (Lower) Self Propelled	1
13	614249	Tie Strap	A/R
14	92-7729	Anchor – Cable (Upper) Self Propelled	1
15	321-48	Screw (Hand Push )	1
	321-49	Screw (Self Propelled)	1
16	3296-73	Nut	1
17	92-7738	Cable – Brake	1
18	92-7734	Cable – Throttle	1
19	321-50	Screw	1
20	92-8632	Washer (Hand Push)	1

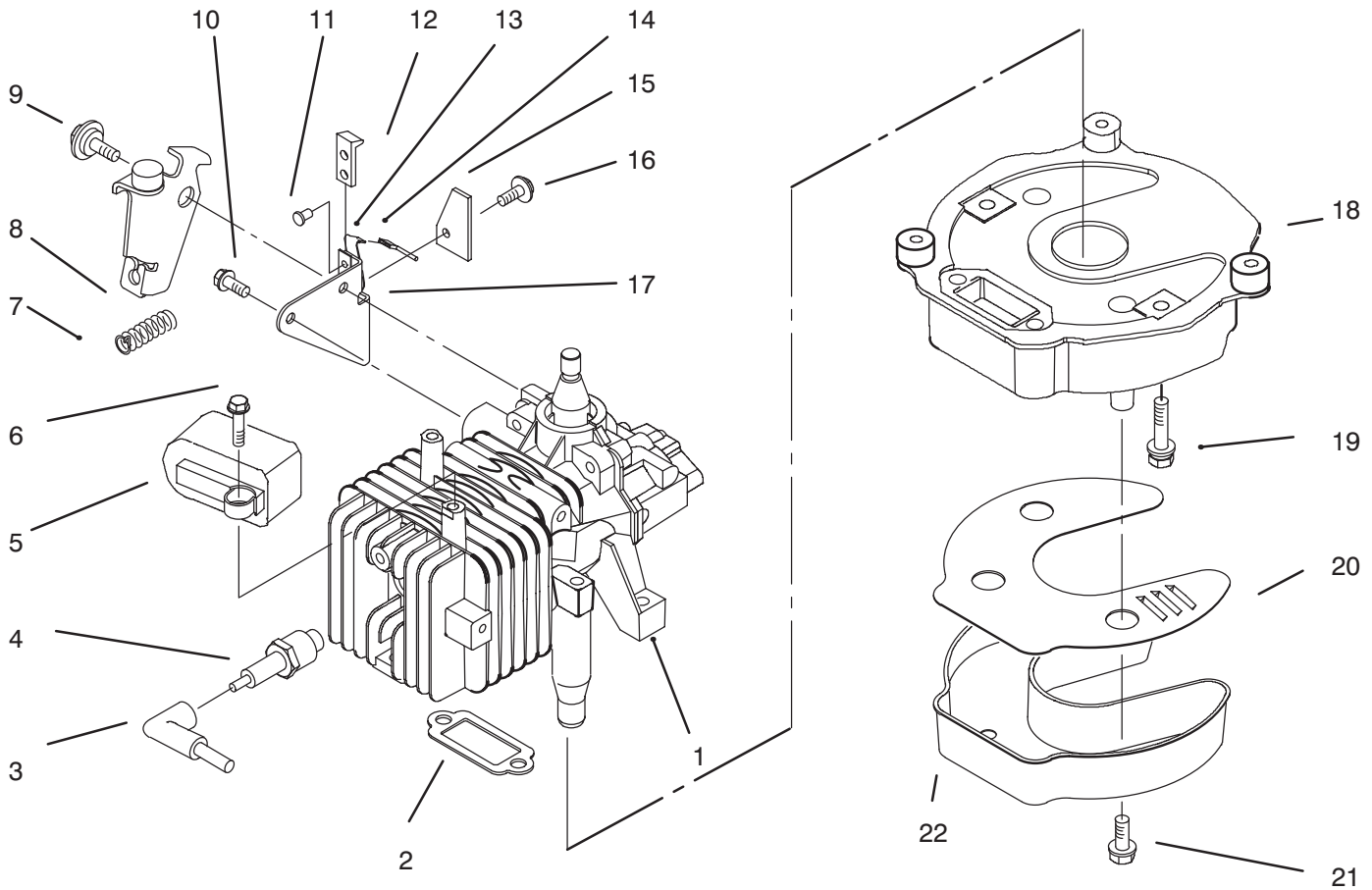




C-1847

## 2 CYCLE ENGINE ASSEMBLY

Ref. No.	Part No.	Description	No. Used	Ref. No.	Part No.	Description	No. Used
1	607199	Key – Crankshaft	1	7	316959	Washer – Lock	1
2	614702	Screw	3	8	92-4946	Shroud Assembly	1
3	614675	Base – Shroud	1	9	614699	Screw	3
4	684743	Flywheel Assembly	1	10	92-4948	Gasket – Carburetor	2
5	614640	Hub – Starter	1	11	92-4947	Shield – Carburetor	1
6	130743	Nut – Hex. Flange	1				

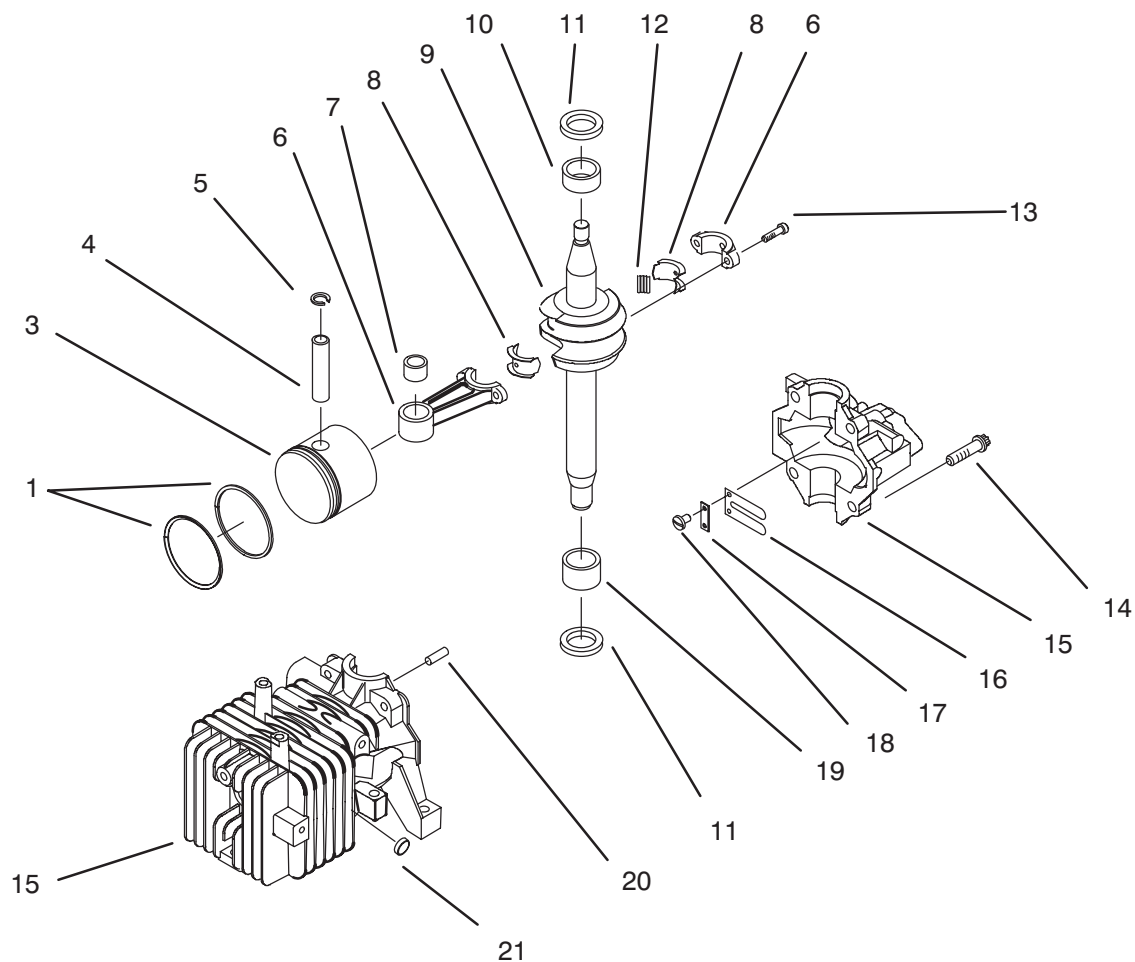


C-1296

## 2 CYCLE ENGINE ASSEMBLY (Continued)

Ref. No.	Part No.	Description	No. Used
1	92-9693	Short Block	1
2	92-6383	Gasket - Exhaust	1
3	684179	Wire - Plug (Includes)	1
*	681678	Cover & Terminal	1
4	614009	Plug - Spark	1
5	684049	CD Ignition (Incl. Ref. #3)	1
6	613209	Screw - Hex. Washer Hd.	2
7	66-5370	Spring - Compression	1
8	66-5380	Brake Plate Assembly	1
9	92-4939	Screw - Shoulder	1
10	614702	Screw	1

Ref. No.	Part No.	Description	No. Used
11	3290-459	Rivet - Plastic	2
12	92-2925	Strap - Insulation	1
13	60-9010	Strap - Ground	1
14	92-1156	Wire - Brake Switch Lead	1
15	53-4690	Stop - Ground Strap	1
16	12-5450	Screw - Thread Forming	1
17	14-8009	Mounting Plate Assembly	1
18	614654	Plate - Muffler	1
19	607601	Screw	4
20	614681	Baffle	1
21	609471	Screw	3
22	614674	Cover - Muffler	1

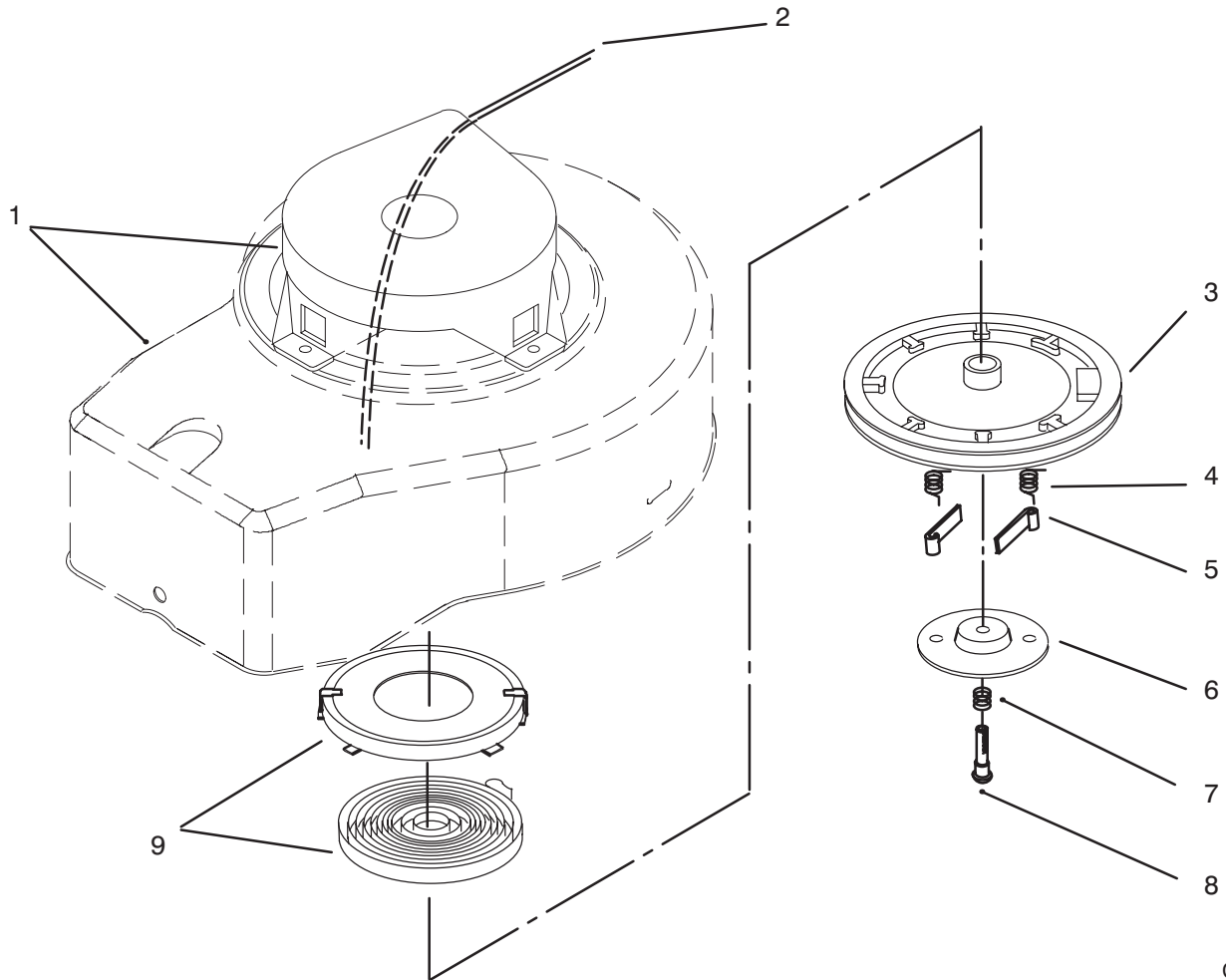


C-1295

## 2 CYCLE ENGINE ASSEMBLY (Continued)

Ref. No.	Part No.	Description	No. Used	Ref. No.	Part No.	Description	No. Used
1	681737	Set – Ring	1	10	681830	Bearing – Upper Main	1
3	92-4924	Piston	1	11	611396	Seal – Oil	2
*	92-4937	Piston & Connecting Rod (Incl. Ref. #1 – 7)	1	12	609754	Bearing – Needle	32
4	606608	Pin – Wrist	1	13	611393	Screw – Hex. Hd.	2
5	303712	Ring – Retaining	2	14	614636	Screw – Torx. Washer Hd.	4
6	92-4921	Connecting Rod Assembly	1	15	684724	Cylinder & Crankcase Cover	1
*	92-4926	Rod & Bearing (Incl. Ref.# 6 & 7)	1	16	602588	Reed – Carburetor	1
7	92-4927	Bearing	1	17	602587	Reed – Backup Plate	1
8	677982	Liner – Split (Set of 2)	1	18	612872	Screw	2
9	92-6375	Crankshaft	1	19	681831	Bearing – Needle	1
				20	609629	Dowel	1
				21	609123	Plug – Core	4

\*Not Illustrated



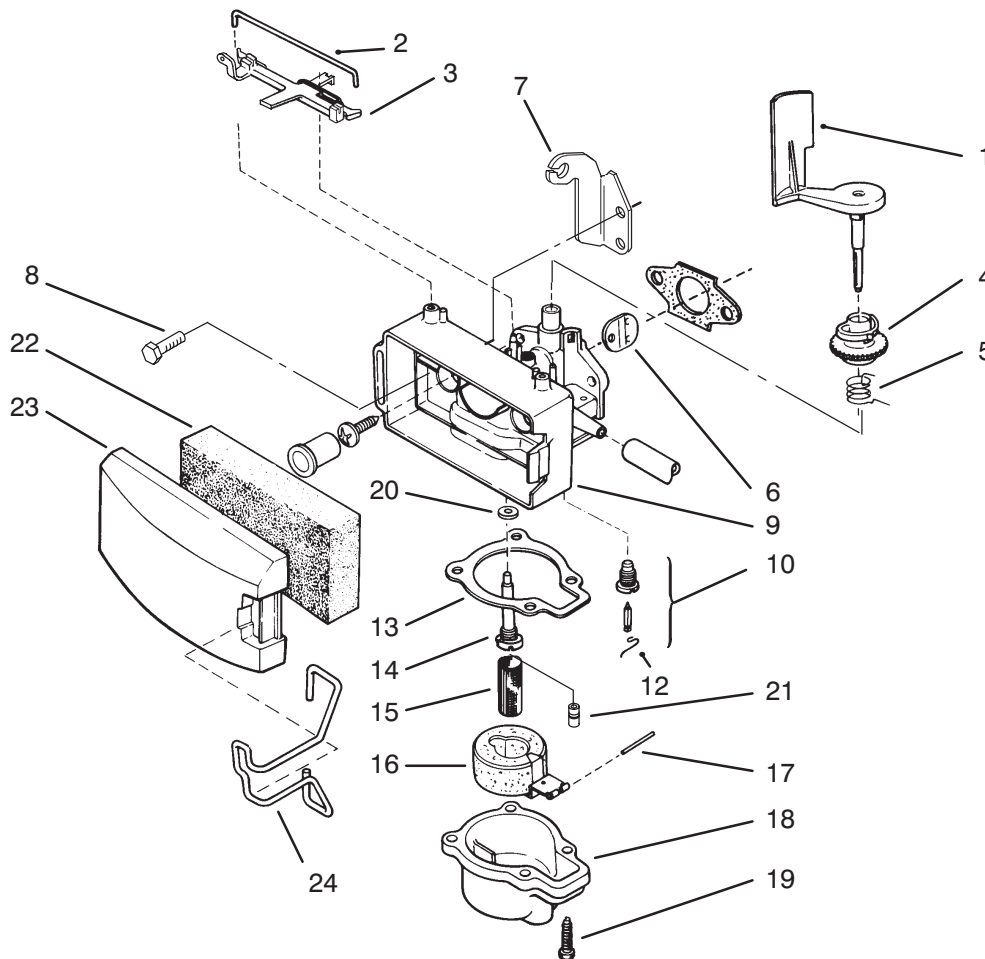
C-1309

## RECOIL STARTER ASSEMBLY

Ref. No.	Part No.	Description	No. Used
1	92-4946	Housing Assembly	1
2	92-4928	Rope - Starter	1
3	92-4929	Pulley Assembly	1
4	92-4930	Spring - Dog	2
5	92-4931	Dog	2

Ref. No.	Part No.	Description	No. Used
6	92-9692	Retainer	1
7	92-4933	Screw	1
8	92-4934	Spring	1
9	92-4935	Spring Keeper Assembly	1

\*Not Illustrated



C-1835

## CARBURETOR ASSEMBLY

Ref. No.	Part No.	Description	No. Used	Ref. No.	Part No.	Description	No. Used
1	92-6376	Air Vane & Shaft	1	14	92-6371	Nozzle	1
2	610165	Retainer - Speed Control	1	15	611071	Filter - Fuel	1
3	92-4943	Lever - Speed Adjust	1	16	678113	Float & Arm Assembly	1
4	610834	Collar - Air Vane	1	17	92-6389	Pin	1
5	92-4944	Spring - Governor	1	18	92-6374	Float Chamber	1
6	92-6373	Disc - Throttle	1	19	608850	Screw	4
7	92-4949	Bracket - Throttle Control	1	20	612383	Washer	1
8	613269	Screw	2	21	92-6370	Main Jet	1
9	92-6377	Carburetor Body	1	22	609493	Filter	1
10	92-9697	Kit - Float Valve, Body & Seat (Incl. Ref. #12)	1	23	610728	Cover	1
12	603145	Spring	1	24	610383	Retainer	1
13	602850	Gasket	1	*	92-6385	Jet - High Altitude	1
				*	92-9695	Carburetor Assembly	1

\*Not Illustrated

# LAWN BOY PART NUMBER INDEX

Part No.	Description	Pg. Ref. No. No. Qty.	Part No.	Description	Pg. Ref. No. No. Qty.
130743	Nut – Hex. Flange	7 6 1	614675	Base – Shroud	7 3 1
303712	Ring – Retaining	9 5 2	614677	Screw – Thread Forming	2 3 2
316959	Washer – Lock	7 7 1	614677	Screw – Thread Forming	3 6 2
602587	Reed – Backup Plate	9 17 1	614681	Baffle	8 20 1
602588	Reed – Carburetor	9 16 1	614682	Knob	2 5 1
602850	Gasket	11 13 1	614682	Knob	3 7 1
603145	Spring	11 12 1	614687	Arm – Spring	3 24 2
603164	Nut – Blade	1 14 1	614687	Spring Arm Assembly, Front	2 22 2
604604	Grommet – Plastic	2 2 2	614689	Screw	1 5 3
604604	Grommet – Plastic	3 3 2	614693	Anchor – Cable, (Lower)	6 12 1
605120	Grommet – Shroud Mtg.	3 15 1	614696	Shaft – Intermediate	5 4 1
606608	Pin – Wrist	9 4 1	614697	Screw – Handle	6 9 2
607199	Key – Crankshaft	7 1 1	614699	Screw	7 9 3
607560	Cover Plate	2 * 1	614702	Screw	7 2 3
607560	Cover Plate	3 * 1	614702	Screw	8 10 1
607601	Screw	8 19 4	677525	Plate & Collar Ass'y	1 19 1
608850	Screw	11 19 4	677982	Liner – Split (Set of 2)	9 8 1
609123	Plug – Core	9 21 4	678113	Float & Arm Assembly	11 16 1
609150	Baffle	1 * 1	681678	Cover & Terminal	8 * 1
609471	Screw	8 21 3	681737	Set – Ring	9 1 1
609493	Filter	11 22 1	681830	Bearing – Upper Main	9 10 1
609629	Dowel	9 20 1	681831	Bearing – Needle	9 19 1
609754	Bearing – Needle	9 12 32	684049	CD Ignition	8 5 1
610165	Retainer – Speed Control	11 2 1	684179	Wire – Plug	8 3 1
610358	Nut	4 21 2	684724	Cylinder & Crankcase Cover	9 15 1
610383	Retainer	11 24 1	684743	Flywheel Assembly	7 4 1
610728	Cover	11 23 1	684751	Cap Assembly – Fuel	1 7
610834	Collar – Air Vane	11 4 1	684776	Wheel Ass'y – 6"	2 24 2
611071	Filter – Fuel	11 15 1	684776	Wheel Assembly – 6"	3 26 2
611393	Screw – Hex. Hd.	9 13 2	684777	Wheel Ass'y – 8"	2 16 2
611396	Seal – Oil	9 11 2	12-5450	Screw – Thread Forming	8 16 1
612383	Washer	11 20 1	14-8009	Mounting Plate Assembly	8 17 1
612543	Blade – 21"	1 16	16-4359	Housing & Baffle Ass'y	2 8 1
612782	Hose – Gas	1 11 1	16-4369	Housing & Baffle Ass'y	3 33 1
612824	Clip – Rope Insert	6 4 1	36-4780	Washer – Thrust	5 17 2
612825	Handle – Starter	6 3 1	36-4791	Washer	5 5 2
612872	Screw	9 18 2	38-7820	Bearing – Ball	5 15 1
613209	Screw – Hex. Washer Hd.	8 6 2	39-5770	Decal – Danger (English)	3 5 1
613227	Screw – Set, Pulley	1 17 1	39-5770	Decal – Danger (English)	2 6 1
613269	Screw	11 8 2	40-1940	Washer	3 28 2
613311	Gasket	1 * 1	40-1940	Washer – Wheel Bolt	2 25 4
613765	Nut – Cage	2 29 1	44-2750	Body – Primer	1 20 1
613765	Nut – Cage	3 32 1	44-3174	Hose – Primer	1 21 1
614009	Plug – Spark	8 4 1	47-2900	Bushing	4 7 2
614243	Knob – Handle	6 10 2	49-2040	Screw – Thread Forming	3 11 2
614249	Tie Strap	6 13A/R	53-4690	Stop – Ground Strap	8 15 1
614271	Cover	1 * 1	55-3760	Pinion – 15 Tooth	5 3 1
614426	Washer – Stepped	4 19 2	60-8750	Bushing	5 6 2
614427	Cover Wheel	4 16 2	60-8850	Bushing – Output	5 9 2
614447	Spacer – Axle Shaft	4 2 2	60-8890	Gear – Bevel Pinion	5 16 1
614596	Gear 34 Tooth	5 18 1	60-9010	Strap – Ground	8 13 1
614636	Screw – Torx. Washer Hd.	9 14 4	62-6660	Spacer	5 11 1
614637	Bracket – H. O. C.	2 26 4	65-2720	Ring – Klip	4 10 4
614637	Bracket – H. O. C.	3 29 2	65-4710	Ring – Friction	4 11 2
614640	Hub – Starter	7 5 1	65-4720	Spring – Compression	4 15 2
614643	Handle – Lower	6 11 1	65-4730	Washer – Thrust Pivot Arm	4 8 2
614650	Bolt – Wheel	2 17 2	65-4740	Washer – Thrust, Keyed	4 9 4
614654	Plate – Muffler	8 18 1	65-4750	Gear – Pinion	4 14 2
614666	Shaft – Output	5 7 1	65-4760	Washer – Clutch, Plastic	4 12 2
614668	Cover – Gear Case	5 2 1	66-5370	Spring – Compression	8 7 1
614669	Pulley – Half	5 12 2	66-5380	Brake Plate Assembly	8 8 1
614671	Cover – Drive	3 9 1	66-6040	Key – Rocking, RH	4 * 1
614672	Bolt – Shoulder	2 15 4	66-6050	Key – Rocking LH	4 13 1
614672	Bolt – Shoulder	3 25 2	66-7460	Bulb – Primer	1 22 1
614674	Cover – Muffler	8 22 1	70-9760	Bushing	4 4 2

\*Not Illustrated

# LAWN BOY PART NUMBER INDEX (Cont.)

Part No.	Description	Pg. Ref. No. No. Qty.	Part No.	Description	Pg. Ref. No. No. Qty.
92-1001	Bail - Control	6 7 1	92-5429	Decal - Danger	3 * 1
92-1002	Bail - Brake	6 6 1	92-6370	Main Jet	11 21 1
92-1004	Spring Arm Ass'y	4 3 2	92-6371	Nozzle	11 14 1
92-1005	Spring Arm Assembly	2 14 2	92-6373	Disc - Throttle	11 6 1
92-1008	Knob	4 24 2	92-6374	Float Chamber	11 18 1
92-1008	Knob - H. O. C. Lever	2 21 4	92-6375	Crankshaft	9 9 1
92-1008	Knob - H. O. C.	3 23 4	92-6376	Air Vane & Shaft	11 1 1
92-1038	Cable - Brake	6 17 1	92-6377	Carburetor Body	11 9 1
92-1042	Wheel Ass'y - 8"	4 18 2	92-6380	Shroud & Tank Ass'y	1 9 1
92-1043	VBelt	4 23 1	92-6383	Gasket - Exhaust	8 2 1
92-1057	Bolt - Wheel	4 17 2	92-6385	Jet - High Altitude	11 * 1
92-1097	Decal - Danger (English)	3 2 1	92-6389	Pin	11 17 1
92-1097	Decal - Danger (English)	2 4 1	92-6542	Pulley - Engine	1 18 1
92-1099	Bolt - Wheel	2 23 2	92-7656	Cable - Throttle	6 18 1
92-1099	Bolt - Wheel	3 27 2	92-7720	Guide - Rope	6 2 1
92-1156	Wire - Brake Switch Lead	8 14 1	92-7723	Handle Bracket Ass'y - RH	3 8 1
92-1624	Screw - Engine Mount	1 13 3	92-7724	Handle Bracket Ass'y - LH	3 17 1
92-1630	Fan - Mulching	1 15 1	92-7726	Cable - Traction	6 8 1
92-1701	Stop - Rope	1 6 1	92-7727	Gearcase	5 10 1
92-2914	Decal - H. O. C. R.H.	2 * 2	92-7728	Guide - Transmission	3 12 1
92-2914	Decal - H. O. C. RH	3 * 2	92-7729	Anchor - Cable (Upper)	6 14 1
92-2915	Decal - H. O. C. L.H.	2 11 2	92-7731	Plate - Baffle	2 30 2
92-2915	Decal - H. O. C. LH	3 4 2	92-7731	Plate - Baffle	3 34 2
92-2925	Strap - Insulation	8 12 1	92-7735	Gear Case Ass'y	3 16 1
92-4881	Plate - H. O. C. Front	2 28 2	92-7737	Handle - Upper	6 1 1
92-4881	Plate H. O. C.	3 31 2	92-7742	Handle Bracket Ass'y - RH	2 7 1
92-4890	Washer	2 27 4	92-7743	Handle Bracket Ass'y - LH	2 10 1
92-4890	Washer	3 30 2	92-7746	Pivot Arm Ass'y - Rear	4 5 2
92-4921	Connecting Rod Assembly	9 6 1	92-8615	Applique	1 3 1
92-4924	Piston	9 3 1	92-8630	Cover Plate, Mulch	2 1 1
92-4926	Rod & Bearing	9 * 1	92-8630	Cover Plate, Mulch	3 1 1
92-4927	Bearing	9 7 1	92-8632	Washer (Hand Push)	6 20 1
92-4928	Rope - Starter	10 2 1	92-8647	Shield - Trailing	2 19 1
92-4929	Pulley Assembly	10 3 1	92-8647	Shield - Trailing	3 21 1
92-4930	Spring - Dog	10 4 2	92-9569	Decal - Shroud	1 10 1
92-4931	Dog	10 5 2	92-9570	Decal - Shroud,	1 * 1
92-4933	Screw	10 7 1	92-9692	Retainer	10 6 1
92-4934	Spring	10 8 1	92-9693	Short Block	8 1 1
92-4935	Spring Keeper Assembly	10 9 1	92-9695	Carburetor Assembly	11 * 1
92-4937	Piston & Connecting Rod	9 * 1	92-9697	Kit - Float Valve, Body	11 10 1
92-4939	Screw - Shoulder	8 9 1	321-48	Screw (Hand Push )	6 15 1
92-4943	Lever - Speed Adjust	11 3 1	321-49	Screw (Self Propelled)	6 1
92-4944	Spring - Governor	11 5 1	321-50	Screw	6 19 1
92-4946	Housing Assembly	10 1 1	322-3	Screw - Hex Head	2 18 4
92-4946	Shroud Assembly	7 8 1	322-3	Screw - Hex. Hd.	3 20 6
92-4947	Shield - Carburetor	7 11 1	3256-24	Washer	5 13 1
92-4948	Gasket - Carburetor	7 10 2	3285-19	Pin - Groove	5 8 2
92-4949	Bracket - Throttle Control	11 7 1	3290-459	Rivet - Plastic	8 11 2
92-4981	Decal - Warning (English)	3 13 1	3296-5	Nut	5 14 1
92-4981	Decal - Danger (English)	2 9 1	3296-29	Nut	2 12 4
92-5412	Stop - Pivot	6 5 2	3296-29	Nut	3 22 6
92-5427	Decal - Warning	3 * 1	3296-39	Nut	2 20 2
92-5427	Decal - Danger	2 * 1	3296-73	Nut	6 16 1
92-5428	Decal - Danger	2 * 1	32144-4	Screw - Taptite	5 1 4
92-5428	Decal - Danger	3 * 1	32144-85	Screw	4 22 2
92-5429	Decal - Danger	2 * 1	32144-115	Screw	3 10 1

\*Not Illustrated

