



Insight™ Lawn Mower

Model No. 10685 - 250000001 and up.

Parts Catalog

Ordering Replacement Parts

To order replacement parts, please supply the part number, the quantity, and the description of each part desired.

Understanding Reference Numbers

Each identified part in an illustration has a reference number. The reference number for a part also appears in the parts list, along with other information about the part.

This catalog uses two special reference number formats, one to indicate parts in a service assembly and another to indicate the quantity of a given part in an illustration.

Service Assembly Reference Numbers

Parts in service assemblies have reference numbers in the form a:b. The a represents the reference number of the entire service assembly and the b represents a sequential number unique to each part within the service assembly.

For example, a wheel assembly might be identified by reference number 6, the tire by 6:1, the valve by 6:2, and the wheel by 6:3. When you order the assembly identified by reference number 6, you receive all parts identified by reference numbers 6:1, 6:2, and 6:3. However, you may also order any part individually. Reference numbers of this type appear in illustrations and in part lists.

Reference Numbers Indicating Quantity

In an illustration, if a reference number indicates more than one part, the reference number has the form nX y. The n represents the quantity of the part, the X is the multiplication symbol, and the y represents the reference number.

For example, in an illustration, the reference number 2X 37 means that two of the parts identified by reference number 37 are indicated.

Contents

Description	Page	Description	Page
Front Wheel and Tunnel Assembly 3	Carburetor Assembly No. 640350 Tecumseh LV195EA-362044C 13
Housing Assembly No. 108-9346 4	Engine Assembly No. 1 Tecumseh LV195EA-362044C 14
Side Discharge Assembly 5	Engine Assembly No. 2 Tecumseh LV195EA-362044C 16
Rear Axle and Transmission Assembly 6	Rewind Starter Assembly No. 590739 Tecumseh LV195EA-362044C 18
Transmission Assembly No. 107-3860 7	Recoil Starter Assembly No. 590702 (Optional) Tecumseh LV195EA-362044C 19
Upper Handle Assembly 8	Attachments and Accessories List 20
Lower Handle Assembly 9		
Blade and Engine Assembly 10		
Clip Assembly 11		
Rear Bag Assembly 12		

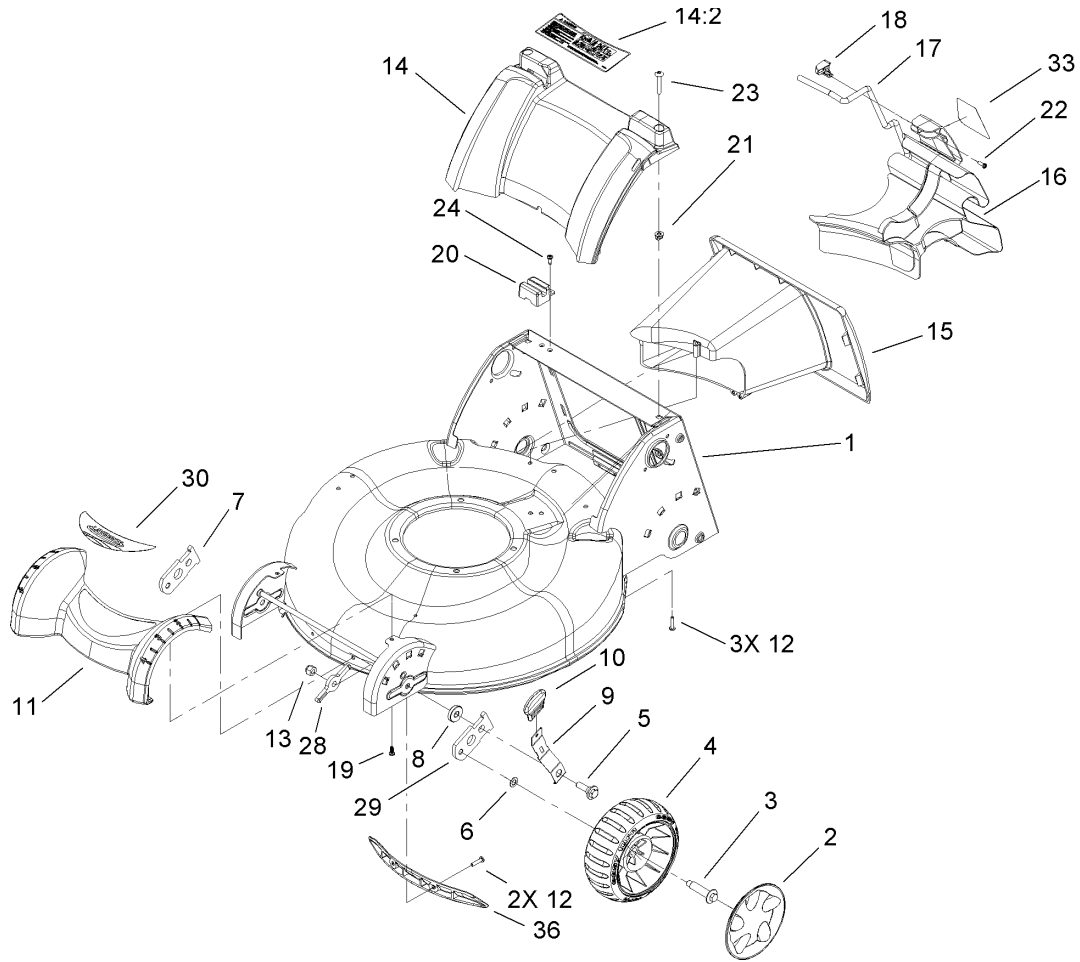
Part Description Abbreviations

Part descriptions in this catalog may include the following abbreviations.

AR. as required	HYD. hydraulic
ASM. assembly	LH. left hand
BBC. blade brake clutch	NI. nylon insert
CARR. carriage	NPTF. national pipe thread fine
DEG. degrees	PFH. phillips flat head
EXT. external	PPH. phillips pan head
FH. flat head	PPHTF. phillips pan head thread forming
GA. gauge	PRH. phillips round head
HD. heavy-duty	PTH. phillips truss head
HF. hex flange	PTO. power-take-off
HH. hex head	RH. right hand
HHF. hex head flange	ROPS. roll-over protection system
HHFTF. hex head flange thread forming	SFH. slotted fillister head
HJ. hex jam	SHH. slotted hex head
HLH. hex lag head	SHWH. slotted hex washer head
HOC. height-of-cut	SPH. slotted pan head
HSBH. hex socket button head	SQH. square head
HSFH. hex socket flat head	SRH. slotted round head
HSH. hex socket head	STD. standard
HWH. hex washer head	TAP. self tapping
HWHTF. hex washer head thread forming	TTH. torx truss head

Footnotes

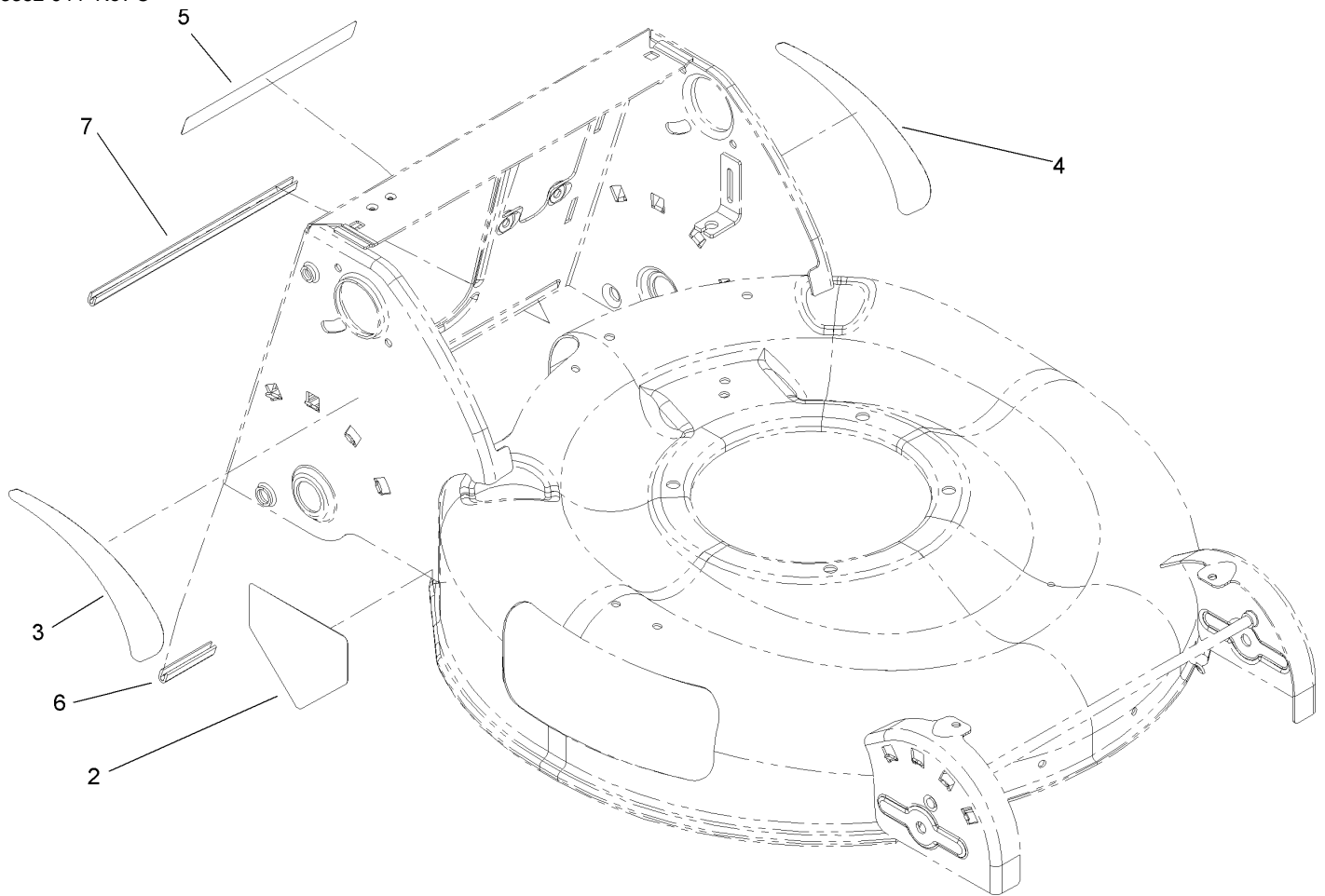
- | | |
|--|--------------------------------------|
| ❶ Not illustrated | ❷ Not serviced separately |
| ❸ Obtain from your local Tecumseh dealer | ❹ Included in Repair Kit No. 632760B |



Front Wheel and Tunnel Assembly

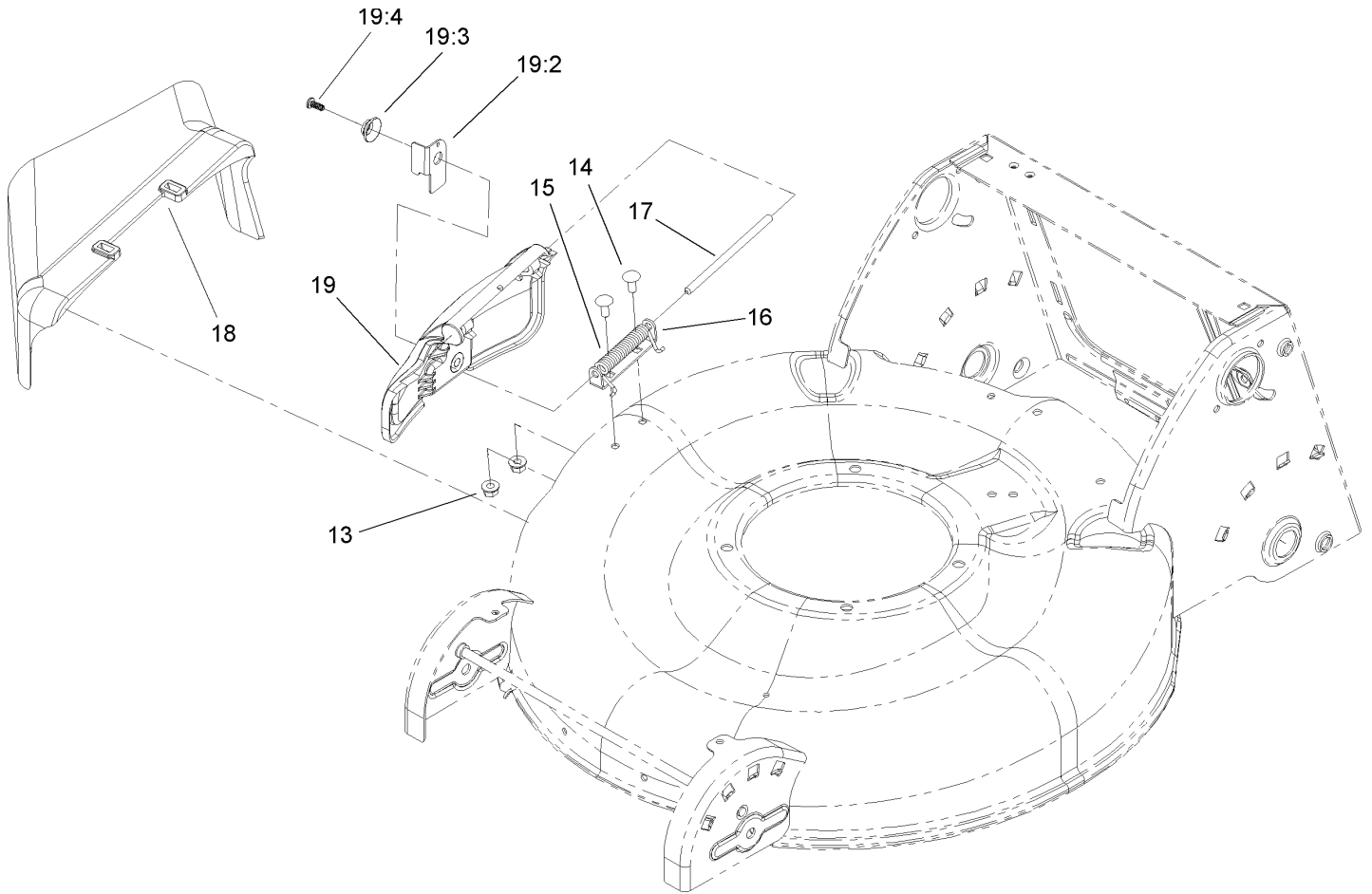
Ref	Part No.	Qty.	Description
1	108-9346	1	Housing ASM
2	107-3886	2	Cover-Wheel, 7 Inch
3	614650	2	Bolt-Shoulder
4	107-3891	2	7 Inch Wheel ASM
5	614672	2	Bolt-Shoulder
6	40-1940	2	Washer
7	107-3877	1	Arm-Pivot, RH
8	92-4890	2	Washer
9	107-3878	2	Arm-Spring
10	107-1904	2	Knob-Lever, HOC
11	107-3926	1	Cover-Front
12	108-7476	5	Screw-Plastite
13	3296-39	2	Nut-Lock, NI
14	108-9348	1	Cover-Rear
14:2	107-3888	1	Decal-Safety
15	107-3905	1	Tunnel
16	107-3907	1	Plug-Chute
17	108-1038	1	Latch-Plug
18	108-0956	1	Retainer-Latch
19	108-7475	2	Screw-Plastite
20	108-0967	1	Module-Switch
21	94-1610	2	Nut-Clip
22	32144-111	1	Screw-PPH
23	108-0965	2	Screw-PTH

Ref	Part No.	Qty.	Description
24	105-6849	2	Screw-Thread Forming
28	108-1048	2	Washer-Support, Front
29	108-1044	1	Arm-Pivot, LH
30	108-7453	1	Decal
33	108-7461	1	Decal
36	108-7502	1	Insert-Housing
39	110-1751	1	Mulch Plug ASM



Housing Assembly No. 108-9346

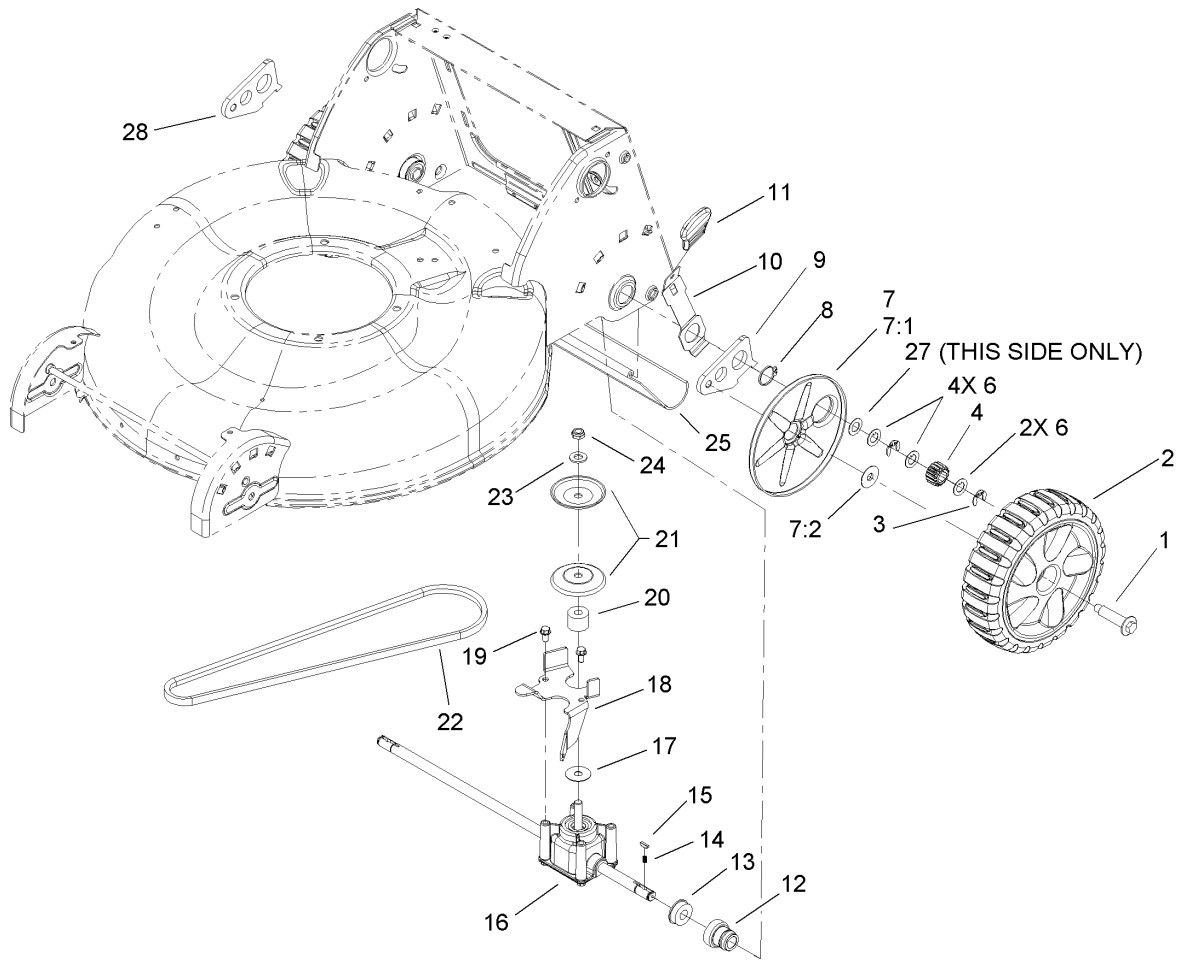
Ref	Part No.	Qty.	Description				
2	94-8072	1	Decal-Danger				
3	108-7450	1	Decal-HOC, RH				
4	108-7451	1	Decal-HOC, LH				
5	107-3889	1	Decal-Safety				
6	108-7504	1	Strip-Edge				
7	108-9380	1	Strip-Edge				



Side Discharge Assembly

Ref	Part No.	Qty.	Description
13	32128-32	2	Nut-HHF
14	3229-11	2	Screw-CARR
15	99-5293	1	Spring-Torsion
16	99-5292	1	Bracket-Cover
17	99-5291	1	Rod-Cover
18	105-3028	1	Chute-Discharge, Side
19	106-8376	1	Discharge Door ASM
19:2	107-0795	1	Latch-Door
19:3	107-7456	1	Cap-Door
19:4	107-7461	1	Screw-Plastite

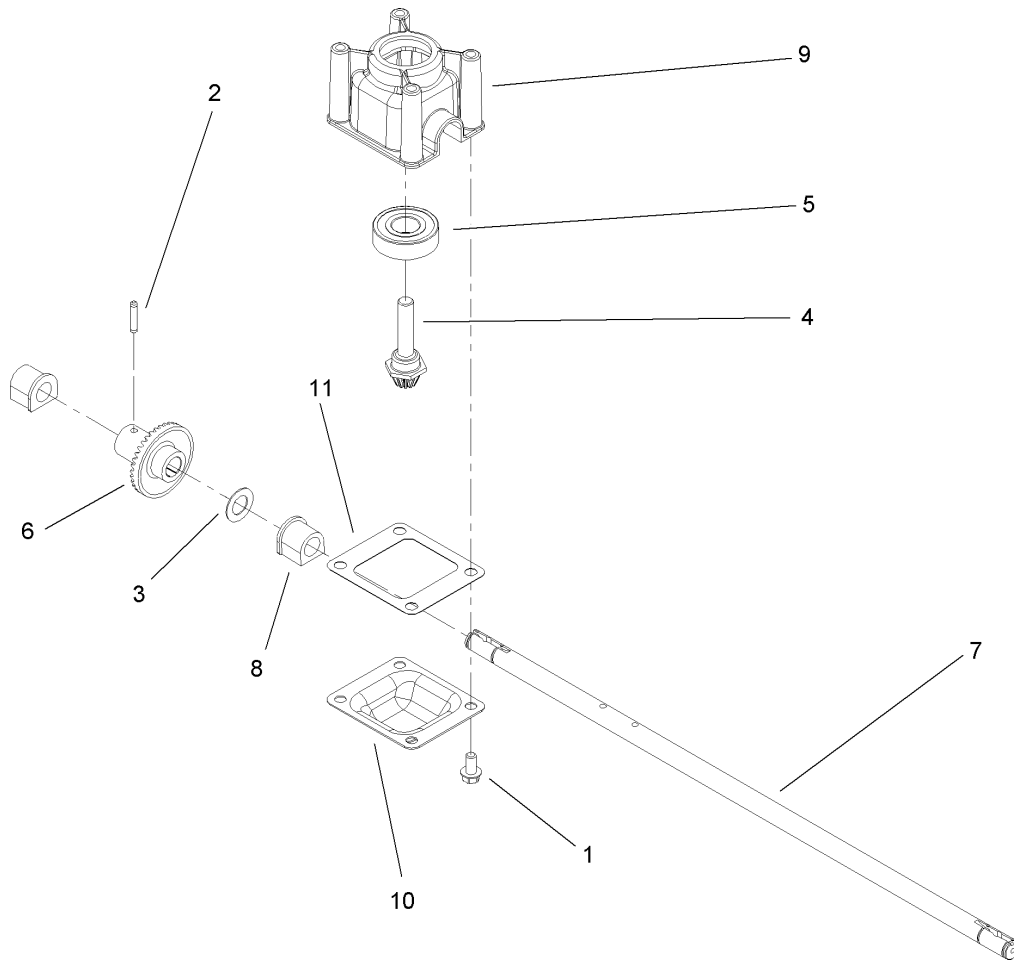
--	--	--	--



Rear Axle and Transmission Assembly

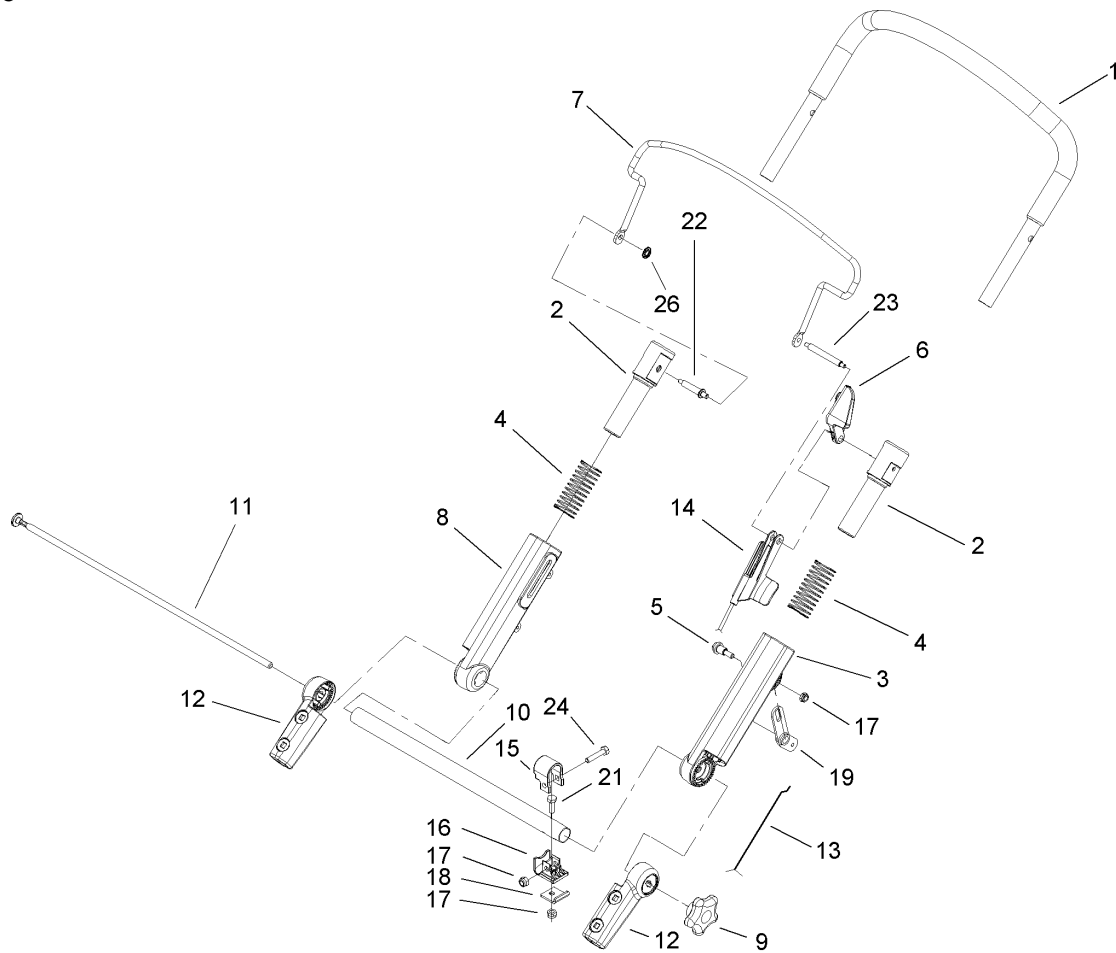
Ref	Part No.	Qty.	Description
1	614650	2	Bolt-Shoulder
2	107-3906	2	Rear Wheel ASM
3	65-2720	4	Klipring-Locking
4	105-3040	2	Gear-Pinion, 15T
6	105-6840	6	Washer-Thrust
7		2	Wheel Cover ASM
7:1	107-1919	1	Cover-Wheel
7:2	614426	1	Washer-Stepped
8	32151-36	2	Ring-Retaining
9	108-9344	1	Arm-Rear Pivot, LH
10	107-3880	2	Arm-Spring, Rear
11	107-1904	2	Knob-Lever, HOC
12	104-8698	2	Retainer-Bearing, HOC
13	104-8699	2	Bearing-Ball
14	39-9650	2	Spring-Compression
15	612066	2	Key
16	107-3860	1	Transmission ASM
17	105-6814	1	Washer-Shield
18	107-3884-03	1	Bracket-Transmission
19	32144-4	2	Screw-HWH
20	92-5791	1	Spacer
21	100-1176	2	Pulley-Half
22	91-2258	1	V-Belt
23	3256-24	1	Washer-Flat

Ref	Part No.	Qty.	Description
24	3296-5	1	Nut-Lock
25	107-3904	1	Shield-Trailing
27	36-4780	1	Washer
28	108-9343	1	Arm-Rear Pivot, RH



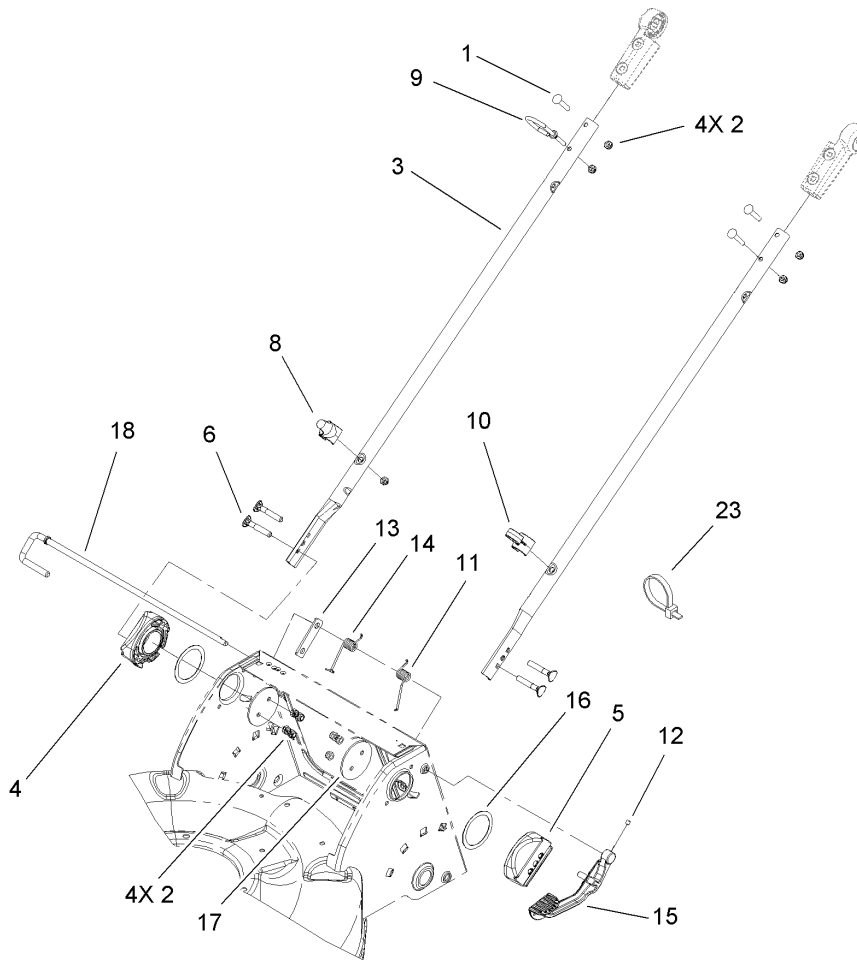
Transmission Assembly No. 107-3860

Ref	Part No.	Qty.	Description
1	32144-4	4	Screw-HWH
2	3285-19	1	Pin-Groove
3	36-4780	1	Washer
4	92-5790	1	Pinion
5	100-1048	1	Bearing-Ball
6	104-8671	1	Gear-Bevel, 37T
7	107-3861	1	Shaft-Output
8	104-8673	2	Bushing-Shaft, Output
9	104-8674	1	Gearcase-Upper
10	104-8675-03	1	Cover-Gearcase
11	105-6839	1	Gasket-Gearcase



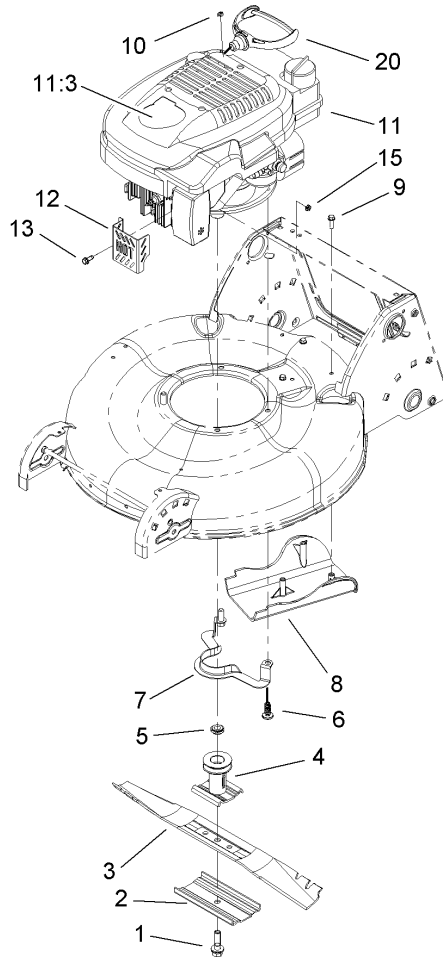
Upper Handle Assembly

Ref	Part No.	Qty.	Description
1	108-0974	1	Upper Handle ASM
2	107-3866	2	Sleeve-Handle
3	107-3864	1	Slide-Top, LH
4	107-3869	2	Spring-Compression
5	104-0858	1	Bolt-Shoulder
6	107-3943	1	Stop-Bail
7	107-3874-03	1	Bail-Brake
8	107-3863	1	Slide-Top, RH
9	107-3937	1	Knob
10	107-3867-03	1	Tube-Cross
11	107-3871	1	Rod-Threaded
12	107-3865	2	Mount-Handle, Lower
13	107-3902	1	Cable-Traction
14	108-0963	1	Cable-Brake
15	108-1045	1	Support-Cable
16	108-1046	1	Support-Guide, Cable
17	3296-73	2	Nut-Lock, NI
18	108-7454	1	Clamp-Cable
19	107-3893	1	Lever-Traction
21	321-4	1	Screw-HH
22	108-0959	1	Pin-Handle
23	108-1008	1	Pin-Bail, LH
24	108-0988	1	Screw-CARR
26	108-9378	1	Retainer-Push On



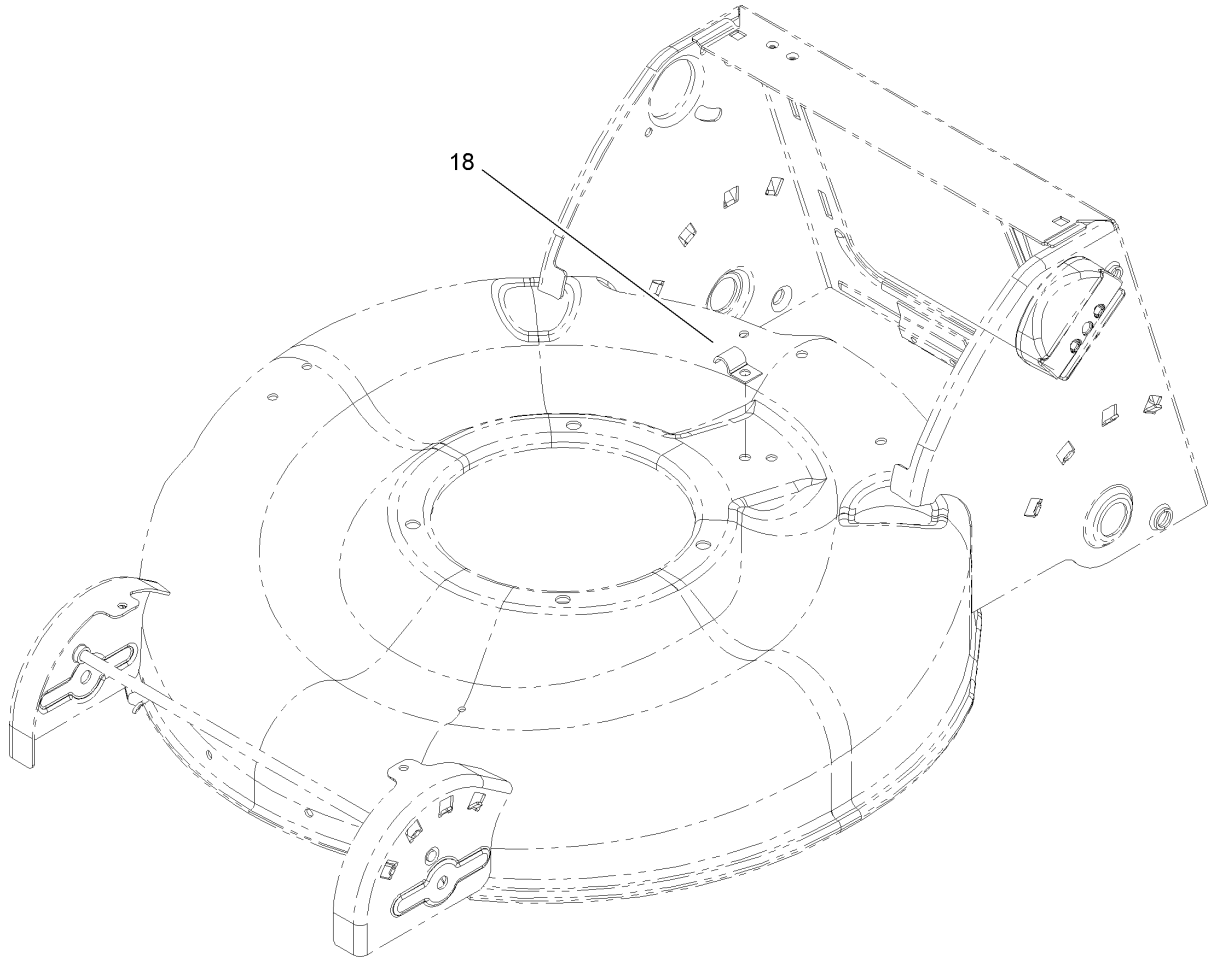
Lower Handle Assembly

Ref	Part No.	Qty.	Description
1	108-0988	3	Screw-CARR
2	3296-73	8	Nut-Lock, NI
3	107-3887-03	2	Tube-Lower
4	108-9339-03	1	Mount-Handle, RH
5	108-9340-03	1	Mount-Handle, LH
6	95-4453	4	Screw
8	108-0994	1	Guide-Rope, Lower
9	107-3908	1	Guide-Rope, Upper
10	106-6805	1	Guide-Cable
11	108-0952	1	Spring-Torsion, LH
12	108-0989	1	Screw-Set
13	108-0953	1	Spring-Torsion, RH
14	107-3946	1	Plate-Lock, Handle
15	108-0985-03	1	Lever-Release
16	107-3947	2	Washer-Nylon
17	107-3944-03	2	Plate
18	107-3892	1	Rod-Release
23	614249	1	Strap-Tie



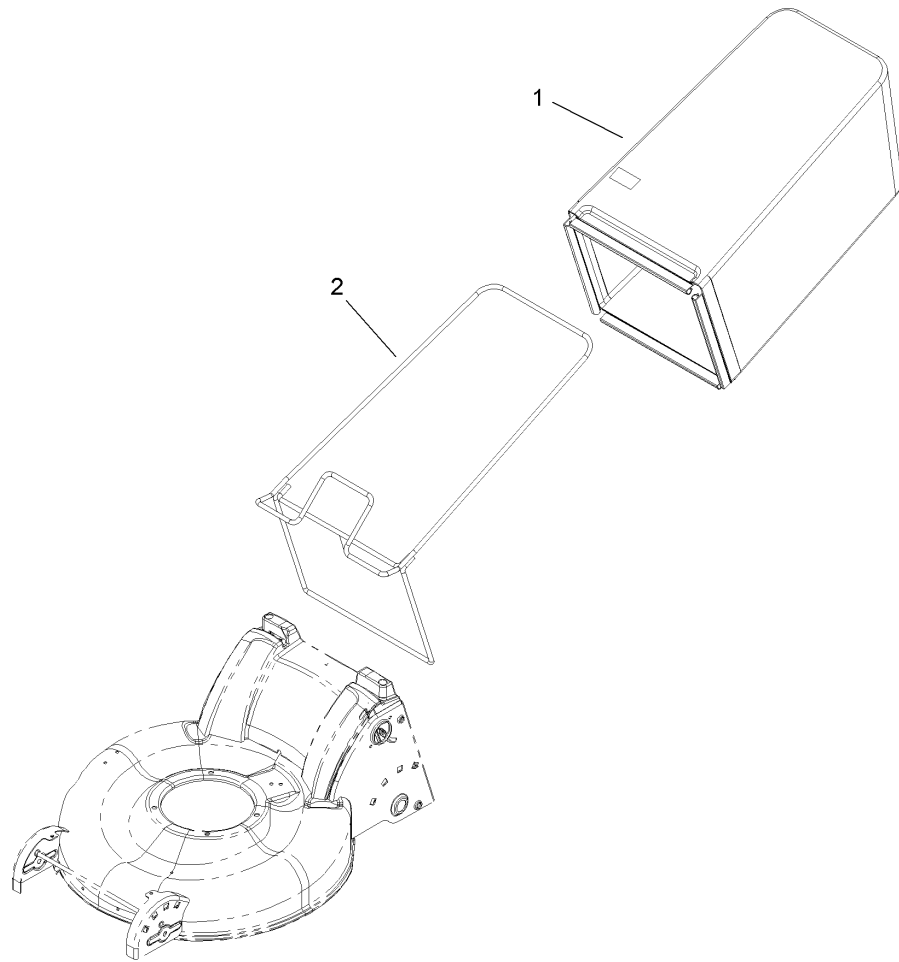
Blade and Engine Assembly

Ref	Part No.	Qty.	Description				
1	105-8579	1	Bolt-Blade				
2	108-3766-03	1	Support-Blade				
3	108-0954-03	1	Blade-21 Inch				
4	106-3987	1	Blade Driver ASM				
5	106-3999	1	Spacer-Driver				
6	92-1624	3	Screw				
7	105-3030-03	1	Guide-Belt				
8	107-3909	1	Cover-Belt				
9	46-8091	3	Screw-HWH				
10	92-1701	1	Stop-Rope				
11		1	Engine-Tecumseh, Lv195Ea-362044C				
11:3	108-7452	1	Decal-Recoil				
12	106-8346	1	Guard-Muffler				
13	32144-85	1	Screw-HWH				
15	32149-7	1	Nut-Keps				
20	106-8345	1	Handle-Recoil				



Clip Assembly

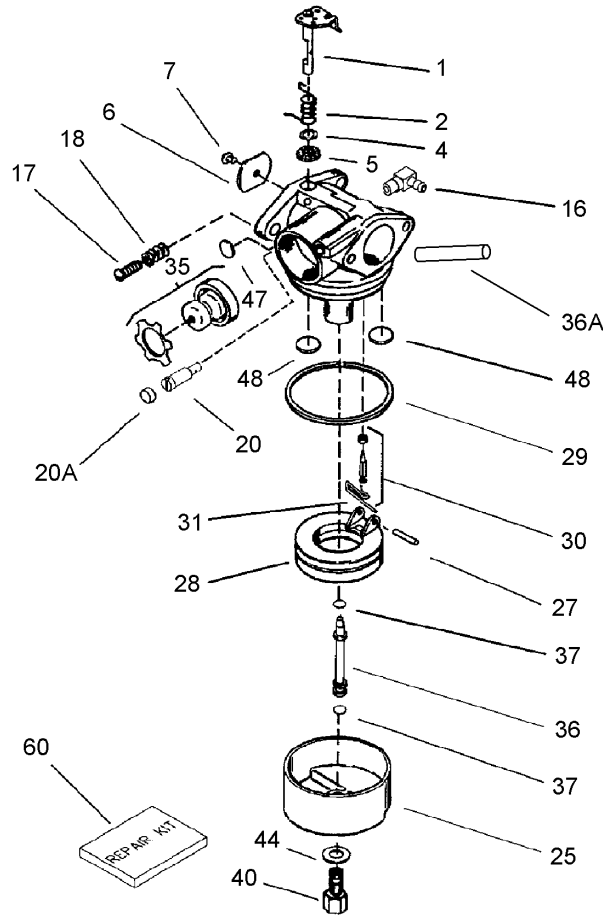
Ref	Part No.	Qty.	Description				
18	2412-90	1	Clip-Half				



Rear Bag Assembly

Ref	Part No.	Qty.	Description
1	107-3911	1	Bag-Grass
2	107-3912-03	1	Bag Frame ASM

--	--	--	--



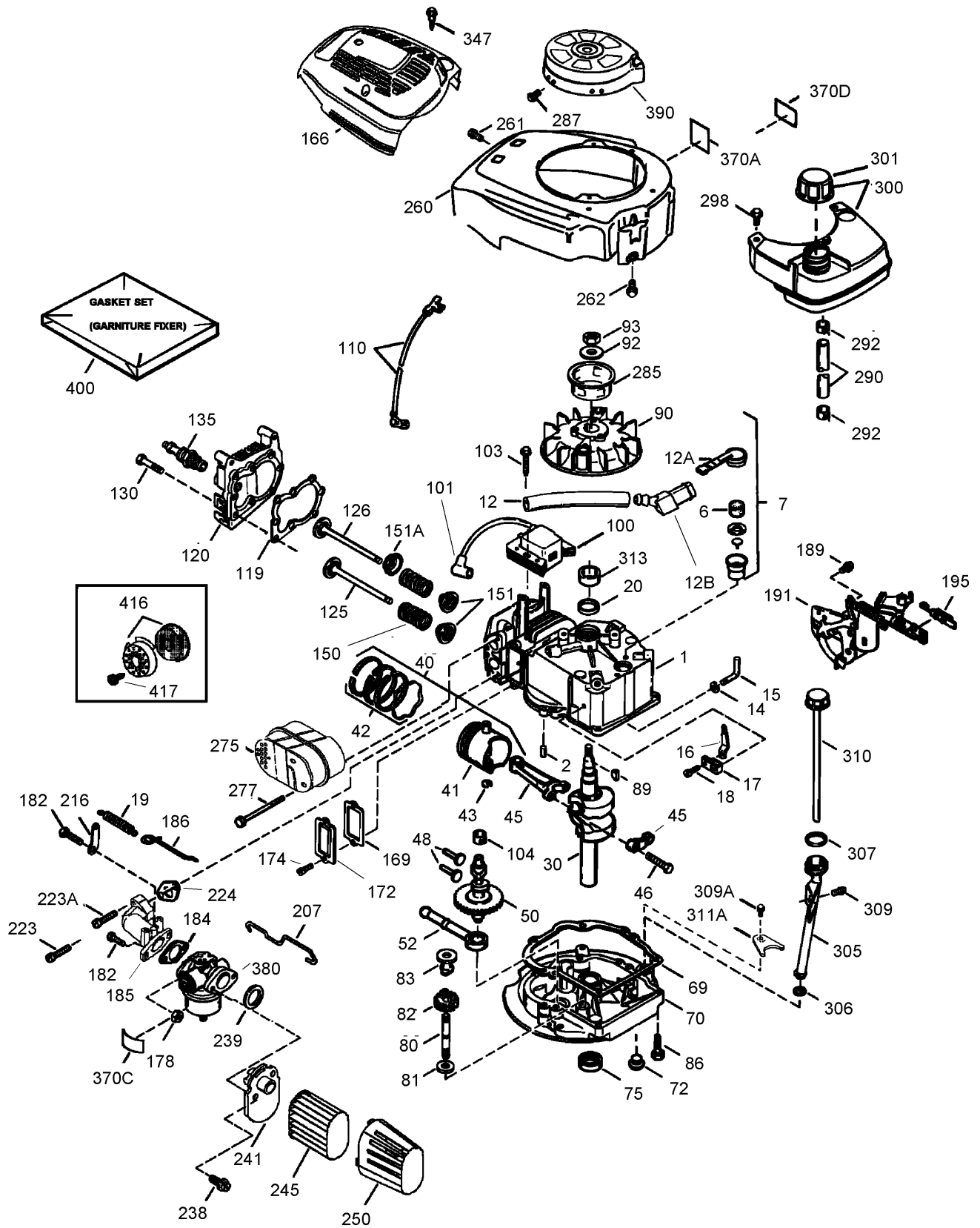
Carburetor Assembly No. 640350 Tecumseh LV195EA-362044C

Ref	Part No.	Qty.	Description
③0	640350	1	Carburetor ASM
③1	631615	1	Throttle Shaft And Lever ASM
③2	631767	1	Spring-Return, Throttle
③④4	631184	1	Washer-Seal, Dust
③④5	631183	1	Dust Seal (Throttle)
③6	640070	1	Shutter-Throttle
③④7	650506	1	Screw-Shutter
③16	631807	1	Fitting-Fuel
③17	651025	1	Screw-Throttle Crack/Idle Speed
③18	630766	1	Spring-Tension
③20	640016	1	Screw-Restrictor, Idle
③20A	640200	1	Cap-Screw, Restrictor Idle
③25	631867	1	Bowl-Float (No Drain)
③④27	631024	1	Shaft-Float
③28	632802	1	Float (Plastic)
③④29	631028	1	O-Ring-Bowl, Float
③④30	631021A	1	Inlet Needle, Seat And Clip ASM
③31	631022	1	Clip-Spring
③35	640351	1	Primer Bulb/Valve Repair Kit
③36	640080	1	Tube-Nozzle, Main
③36A	632766	1	Tube-Carburetor
③④37	632547	2	O-Ring-Nozzle Tube, Main
③40	640030	1	Nut-Bowl, High Speed
③④44	27110A	1	Washer-Nut, Bowl

Ref	Part No.	Qty.	Description
③④47	630748	1	Plug-Welch, Idle Mixture Well
③④48	631027	2	Plug-Welch, Atmospheric Vent
③60	632760B	1	Repair Kit

Engine Assembly No. 1

Tecumseh LV195EA-362044C



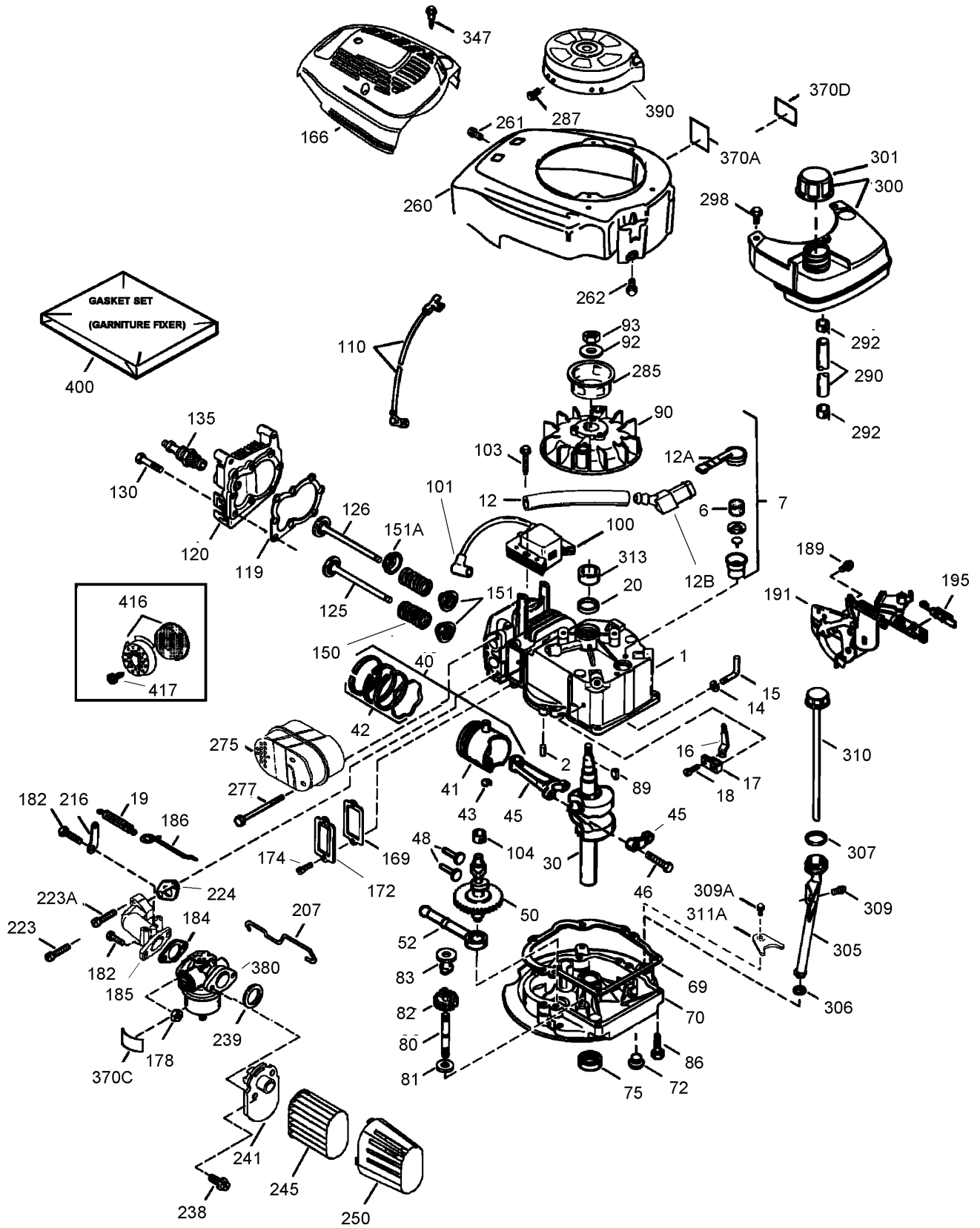
Engine Assembly No. 1

Tecumseh LV195EA-362044C

Ref	Part No.	Qty.	Description				
①1	37465	1	Cylinder ASM				
①2	26727	2	Pin-Dowel				
①6	33734	1	Element-Breather				
①7	36557	1	Breather ASM				
①12	37944	1	Tube-Breather				
①12A	36558	1	Breather Cover And Tube ASM				
①12B	36694	1	Elbow-Tube, Breather				
①14	28277	1	Washer-Flat				
①15	30589	1	Governor Rod ASM				
①16	34839A	1	Lever-Governor				
①17	31335	1	Clamp-Lever, Governor				
①18	651018	1	Screw (T-15, 8-32 X 19/64)				
①19	36281	1	Spring-Extension				
①20	32600	1	Seal-Oil				
①30	37692	1	Crankshaft				
①40	40027	1	Piston, Pin And Ring Set (STD.)				
①41	40042	1	Piston And Pin ASM (STD.)				
①42	40006	1	Ring Set (STD)				
①43	20381	2	Ring-Retaining, Piston Pin				
①45	36777	1	Connecting Rod ASM				
①46	32610A	2	Bolt-Rod, Connecting				
①48	27241	2	Lifter-Valve				
①50	37460	1	Camshaft ASM (Exhaust Mcr)				
①52	29914	1	Oil Pump ASM				
①69	37609	1	Gasket-Flange, Mounting				
①70	37608	1	Mounting Flange ASM				
①72	37614	1	Plug-Drain, Oil				
①75	27897	1	Seal-Oil				
①80	30574A	1	Shaft-Governor				
①81	30590A	1	Washer				
①82	30591	1	Governor Gear ASM				
①83	30588A	1	Spool-Governor				
①86	650488	6	Screw (1/4-20 X 1-1/4)				
①89	611298	1	Key-Flywheel				
①90	611299	1	Flywheel				
①92	650815	1	Washer-Belleville				
①93	650816	1	Nut-Flywheel				
①100	34443C	1	Ignition-Solid State				
①101	610118	1	Cover-Spark Plug				
①103	651007	2	Screw (T-15, 10-24 X 15/16)				
①104	37480	1	Bushing-Cam				

Engine Assembly No. 2

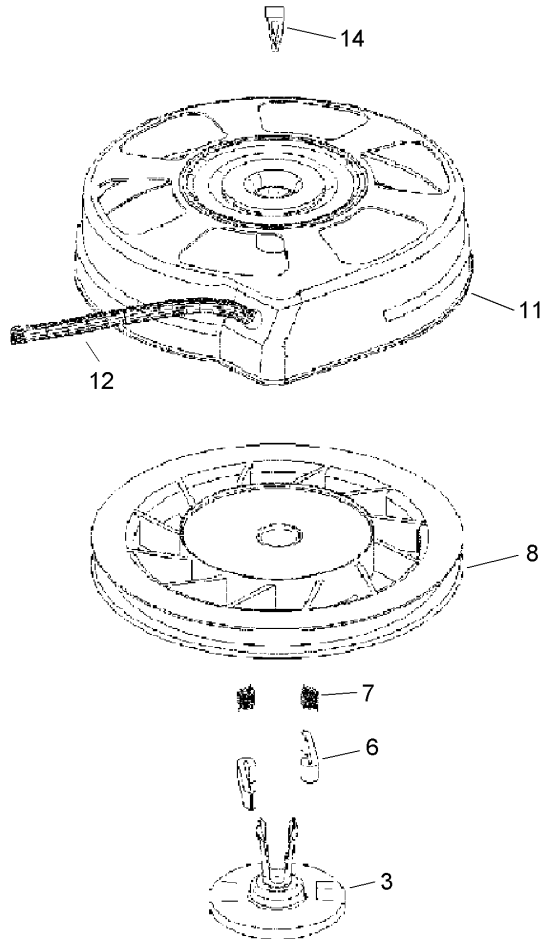
Tecumseh LV195EA-362044C



Engine Assembly No. 2

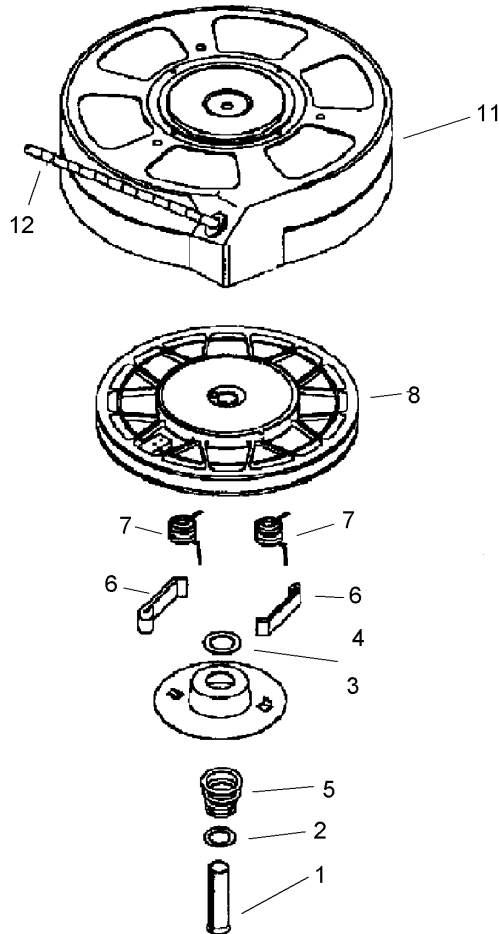
Tecumseh LV195EA-362044C

Ref	Part No.	Qty.	Description	Ref	Part No.	Qty.	Description
③110	37047	1	Wire-Ground (10.50 With Male And Female Flag Terminals)	③311A	37611	1	Bracket-Holddown
③119	37796	1	Gasket-Head, Cylinder	③313	34080	1	Spacer
③120	37714	1	Head-Cylinder	③347	650898A	4	Screw (10-32 X 27/32)
③125	36780	1	Valve-Exhaust (1/32 Os)	③370A	36261	2	Decal-Lubrication
③125	37288	1	Valve-Exhaust (STD)	③370C	37695	1	Decal-Primer
③126	37289	1	Valve-Intake (STD)	③370D	35977	1	Decal-Warning
③130	6021A	8	Screw (5/16-18X1-1/2)	③380	640350	1	Carburetor ASM
③135	35395	1	Spark Plug-Resistor (R J19 L M)	③390	590739	1	Rewind Starter ASM
③150	31672	2	Spring-Valve	③400	37613A	1	Gasket Set
③151	31673	2	Cap-Valve, Spring	③416	37530	1	Spark Arrestor Kit
③151A	40017	1	Seal-Valve, Intake				
③166	37813	1	Shroud-Engine				
③169	36783	1	Gasket-Cover, Valve				
③172	36784	1	Cover-Valve				
③174	30200	2	Screw (10-24 X 9/16)				
③178	29752	2	Nut And Lock Washer (1/4-28)				
③182	6201	2	Screw (1/4-28 X 7/8)				
③184	26756	1	Gasket-Carburetor To Intake Pipe				
③185	37466	1	Pipe-Intake				
③186	32653	1	Link-Governor				
③189	650839	2	Screw (1/4-20 X 3/8)				
③191	36559A	1	Bracket-Brake				
③195	610973	1	Terminal				
③207	34336A	1	Link-Throttle				
③216	33086	1	Lever-Adjusting, Rpm				
③223	650451	1	Screw (1/4-20 X 1)				
③223A	651074	1	Stud-Pipe, Intake				
③224	36786	1	Gasket-Pipe, Intake				
③238	650932	2	Screw (10-32 X 49/64)				
③239	34338	1	Gasket-Air Cleaner				
③241	36919	1	Collar-Air Cleaner				
③245	36905	1	Filter-Air Cleaner				
③250	37122	1	Cover-Air Cleaner				
③260	37696A	1	Housing-Blower				
③261	30200	2	Screw (10-24 X 9/16)				
③262	650831	2	Screw (1/4-20 X 1/2)				
③275	37498	1	Muffler				
③277	650988	2	Screw (1/4-20 X 2-9/32)				
③285	35000A	1	Cup-Starter				
③287	650926	2	Screw (8-32 X 21/64)				
③290	29774	1	Line-Fuel (8.62)				
③292	26460	2	Clamp-Line, Fuel				
③298	28763	2	Screw (10-32 X 35/64)				
③300	37947	1	Fuel Tank ASM				
③301	37844	1	Cap-Fuel (Black) (1-1/2 Id)				
③305	35647	1	Tube-Fill, Oil				
③306	37610	1	O-Ring				
③307	35499	1	O-Ring				
③309	650562	1	Screw (10-32 X 1/2)				
③309A	650783	1	Screw (10-24 X 3/4)				
③310	35648	1	Dipstick				



Rewind Starter Assembly No. 590739 Tecumseh LV195EA-362044C

Ref	Part No.	Qty.	Description				
●0	590739	1	Rewind Starter ASM				
●3	590740	1	Retainer				
●6	590616	2	Dog-Starter				
●7	590617	2	Spring-Dog				
●8	590618A	1	Pulley And Rewind Spring ASM				
●11	590638A	1	Starter Housing ASM				
●12	590535	1	98 Starter Rope (Cut To Length)				
●14	590760	1	Clip-Spring				



Recoil Starter Assembly No. 590702 (Optional) Tecumseh LV195EA-362044C

Ref	Part No.	Qty.	Description				
●0	590702	1	Starter-Recoil				
●1	590599A	1	Spring Pin ASM				
●2	590600	1	Washer				
●3	590696	1	Retainer				
●4	590601	1	Washer				
●5	590697	1	Spring-Brake				
●6	590698	2	Dog-Starter				
●7	590699	2	Spring-Dog				
●8	590700	1	Pulley And Rewind Spring ASM				
●11	590703A	1	Starter Housing ASM				
●12	590535	1	98 Starter Rope (Cut To Length)				

Attachments and Accessories

For 10685 - Insight Lawn Mower

Product Name	Model/Part
Loose Parts Kit	108-9353
Replacement Bag	89815
Rear Bag Kit	89913
21 Inch Blade	89914
Cruise Control Kit	89919
Air Filter	89945
Spark Plug	89946

NOTES

NOTES

NOTES

