



Insight™ Gold Lawn Mower

Model No. 10695 - 260000001 and up.

Parts Catalog

Ordering Replacement Parts

To order replacement parts, please supply the part number, the quantity, and the description of each part desired.

Understanding Reference Numbers

Each identified part in an illustration has a reference number. The reference number for a part also appears in the parts list, along with other information about the part.

This catalog uses two special reference number formats, one to indicate parts in a service assembly and another to indicate the quantity of a given part in an illustration.

Service Assembly Reference Numbers

Parts in service assemblies have reference numbers in the form a:b. The a represents the reference number of the entire service assembly and the b represents a sequential number unique to each part within the service assembly.

For example, a wheel assembly might be identified by reference number 6, the tire by 6:1, the valve by 6:2, and the wheel by 6:3. When you order the assembly identified by reference number 6, you receive all parts identified by reference numbers 6:1, 6:2, and 6:3. However, you may also order any part individually. Reference numbers of this type appear in illustrations and in part lists.

Reference Numbers Indicating Quantity

In an illustration, if a reference number indicates more than one part, the reference number has the form nX y. The n represents the quantity of the part, the X is the multiplication symbol, and the y represents the reference number.

For example, in an illustration, the reference number 2X 37 means that two of the parts identified by reference number 37 are indicated.

Contents

Description	Page	Description	Page
Front End and Tunnel Assembly 3	Camshaft Pulley Assembly Honda GCV160A STL1 15
Housing Assembly No. 108-9346 4	Recoil Starter Assembly Honda GCV160A STL1 16
Rear Axle and Transmission Assembly 5	Fan Cover Assembly Honda GCV160A STL1 17
Transmission Assembly No. 107-3860 6	Carburetor Assembly Honda GCV160A STL1 18
Upper Handle Assembly 7	Air Cleaner Assembly Honda GCV160A STL1 19
Lower Handle Assembly 8	Muffler Assembly Honda GCV160A STL1 20
Blade and Engine Assembly 9	Flywheel Assembly Honda GCV160A STL1 21
Rear Bag Assembly 10	Control Assembly Honda GCV160A STL1 22
Cylinder Barrel Assembly Honda GCV160A STL1 11	Choke Base Assembly Honda GCV160A STL1 23
Oil Pan Assembly Honda GCV160A STL1 12	Top Cover Assembly Honda GCV160A STL1 24
Crankshaft Assembly Honda GCV160A STL1 13	Label Assembly Honda GCV160A STL1 25
Piston and Connecting Rod Assembly Honda GCV160A STL1 14	Attachments and Accessories List 26

Part Description Abbreviations

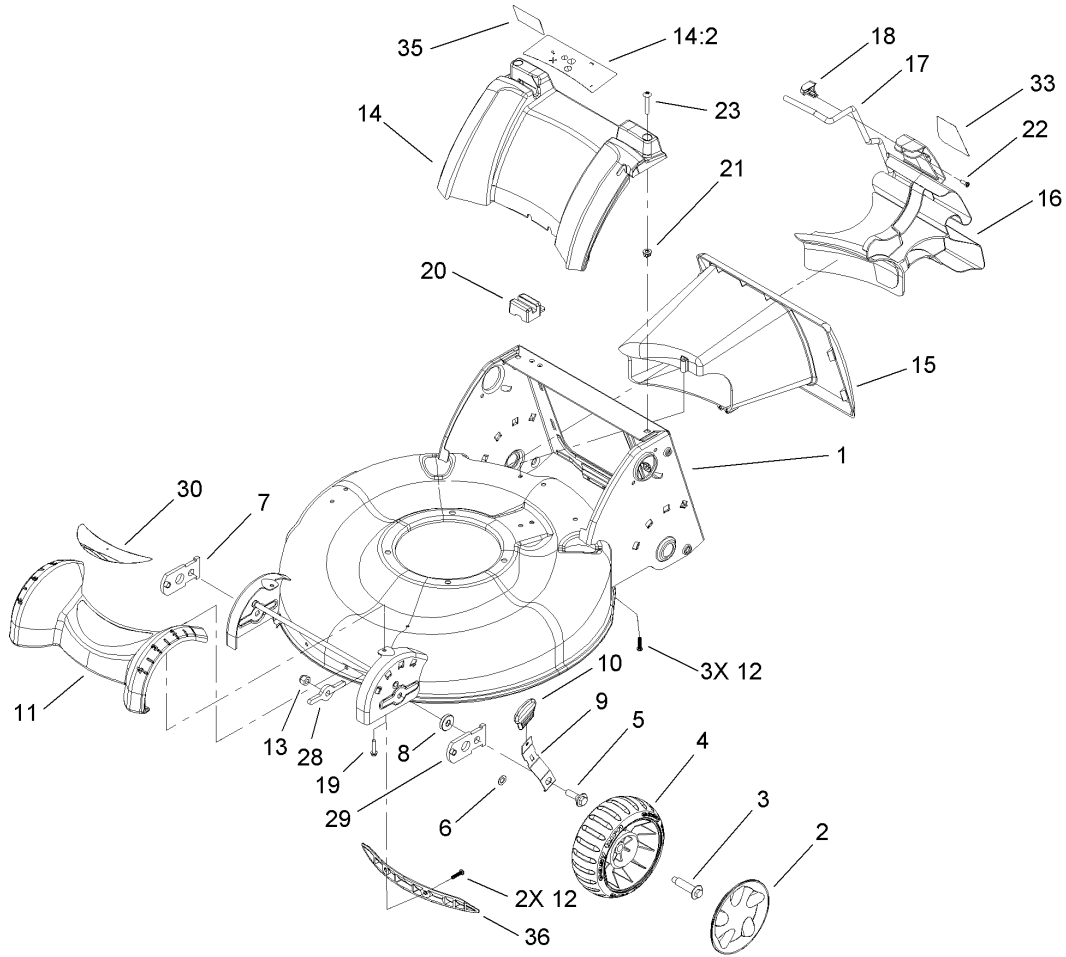
Part descriptions in this catalog may include the following abbreviations.

AR. as required	INC. incorporated
ASM. assembly	LH. left hand
BBC. blade brake clutch	NI. nylon insert
CARR. carriage	NPTF. national pipe thread fine
DEG. degrees	PFH. phillips flat head
EXT. external	PPH. phillips pan head
FH. flat head	PPHTF. phillips pan head thread forming
GA. gauge	PRH. phillips round head
HF. hex flange	PTH. phillips truss head
HH. hex head	PTO. power-take-off
HHF. hex head flange	RH. right hand
HHFTF. hex head flange thread forming	ROPS. roll-over-protection-system
HJ. hex jam	SFH. slotted fillister head
HLH. hex lag head	SHH. slotted hex head
HOC. height-of-cut	SHWH. slotted hex washer head
HSBH. hex socket button head	SPH. slotted pan head
HSFH. hex socket flat head	SQH. square head
HSH. hex socket head	SRH. slotted round head
HWH. hex washer head	STD. standard
HWHTF. hex washer head thread forming	TAP. self tapping
HYD. hydraulic	TTH. torx truss head

Footnotes

- ❶ Not illustrated
- ❷ Obtain from your local Honda dealer

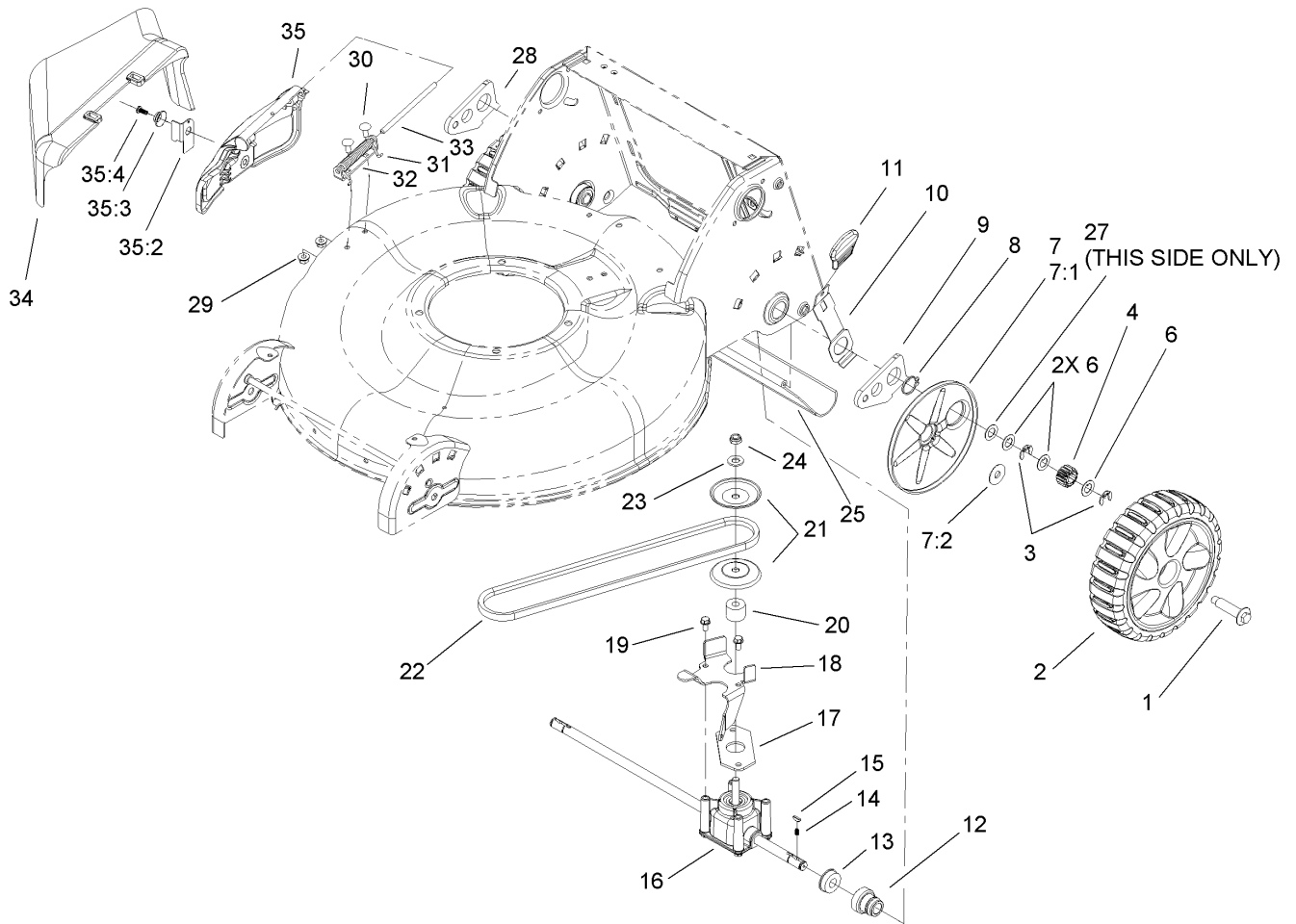
- ❸ Not serviced separately



Front End and Tunnel Assembly

Ref	Part No.	Qty.	Description
1	108-9346	1	Housing ASM
2	107-3886	2	Cover-Wheel, 7 Inch
3	614650	2	Bolt-Shoulder
4	107-3891	2	7 Inch Wheel ASM
5	614672	2	Bolt-Shoulder
6	40-1940	2	Washer
7	107-3877	1	Arm-Pivot, RH
8	92-4890	2	Washer
9	107-3878	2	Arm-Spring
10	107-1904	2	Knob-Lever, HOC
11	107-3926	1	Cover-Front
12	108-7476	5	Screw-Plastite
13	3296-39	2	Nut-Lock, NI
14	108-9349	1	Cover-Rear
14:2	107-3888	1	Decal-Safety
15	107-3905	1	Tunnel
16	107-3907	1	Plug-Chute
17	108-1038	1	Latch-Plug
18	108-0956	1	Retainer-Latch
19	108-7475	2	Screw-Plastite
20	110-1786	1	Module-Switch
21	94-1610	2	Nut-Clip
22	32144-111	1	Screw-PPH
23	108-0965	2	Screw-PTH

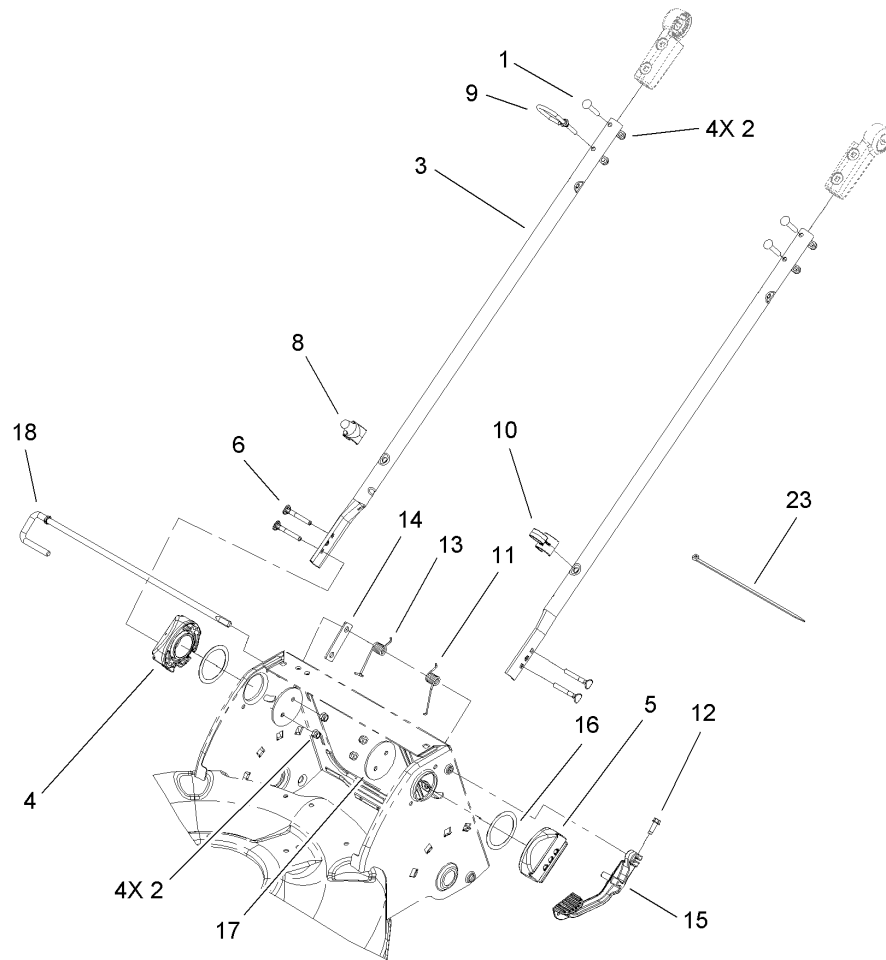
Ref	Part No.	Qty.	Description
28	108-1048	2	Washer-Support, Front
29	108-1044	1	Arm-Pivot, LH
30	108-7453	1	Decal
33	108-7461	1	Decal
35	107-1938	1	Decal-Bag Attachment
36	108-7502	1	Insert-Housing
39	110-1751	1	Mulch Plug ASM



Rear Axle and Transmission Assembly

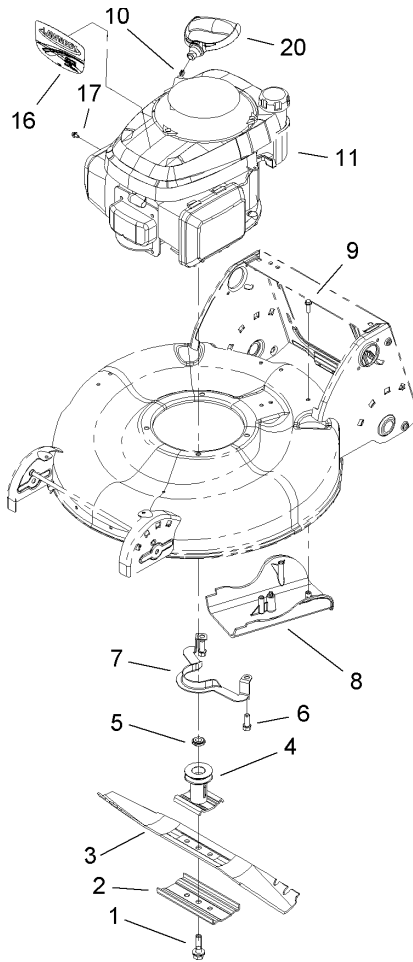
Ref	Part No.	Qty.	Description
1	614650	2	Bolt-Shoulder
2	107-3906	2	Rear Wheel ASM
3	65-2720	4	Klipring-Locking
4	105-3040	2	Gear-Pinion, 15T
6	105-6840	6	Washer-Thrust
7	108-7505	2	Wheel Cover ASM
7:1		1	Cover-Wheel
7:2	614426	1	Washer-Stepped
8	32151-36	2	Ring-Retaining
9	108-9344	1	Arm-Rear Pivot, LH
10	107-3880	2	Arm-Spring, Rear
11	107-1904	2	Knob-Lever, HOC
12	104-8698	2	Retainer-Bearing, HOC
13	104-8699	2	Bearing-Ball
14	39-9650	2	Spring-Compression
15	612066	2	Key
16	107-3860	1	Transmission ASM
17	108-9756	1	Gasket-Gearbox
18	107-3884-03	1	Bracket-Transmission
19	32144-4	2	Screw-HWH
20	92-5791	1	Spacer
21	100-1176	2	Pulley-Half
22	91-2258	1	V-Belt
23	3256-24	1	Washer-Flat

Ref	Part No.	Qty.	Description
24	3296-5	1	Nut-Lock
25	107-3904	1	Shield-Trailing
27	36-4780	1	Washer
28	108-9343	1	Arm-Rear Pivot, RH
29	32128-32	2	Nut-HHF
30	3229-11	2	Screw-CARR
31	99-5293	1	Spring-Torsion
32	99-5292	1	Bracket-Cover
33	99-5291	1	Rod-Cover
34	105-3028	1	Chute-Discharge, Side
35	106-8376	1	Discharge Door ASM
35:2	107-0795	1	Latch-Door
35:3	107-7456	1	Cap-Door
35:4	107-7461	1	Screw-Plastite



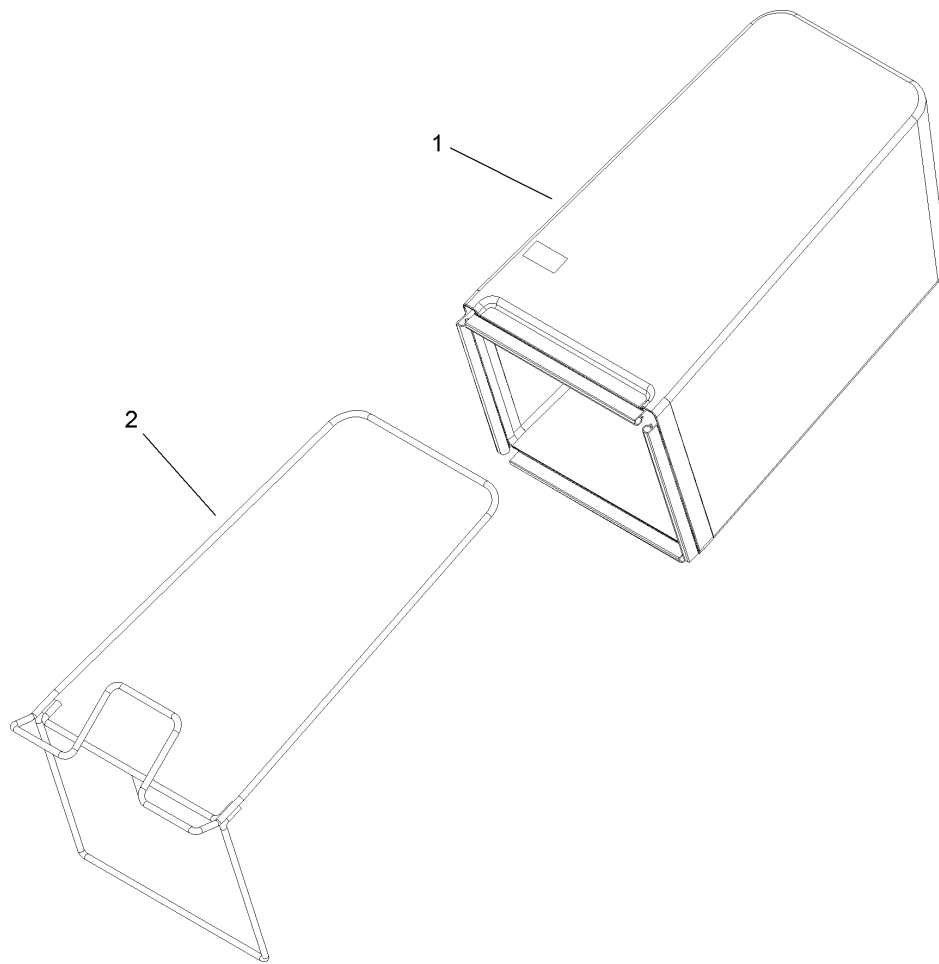
Lower Handle Assembly

Ref	Part No.	Qty.	Description
1	108-0988	3	Screw-CARR
2	3296-73	8	Nut-Lock, NI
3	107-3887-03	2	Tube-Lower
4	108-9339-03	1	Mount-Handle, RH
5	108-9340-03	1	Mount-Handle, LH
6	95-4453	4	Screw
8	108-0994	1	Guide-Rope, Lower
9	107-3908	1	Guide-Rope, Upper
10	106-6805	1	Guide-Cable
11	108-0952	1	Spring-Torsion, LH
12	49-2040	1	Screw-HWHTF
13	108-0953	1	Spring-Torsion, RH
14	107-3946	1	Plate-Lock, Handle
15	110-1823-03	1	Lever-Release
16	107-3947	2	Washer-Nylon
17	107-3944-03	2	Plate
18	110-1822	1	Rod-Handle Release
23	614249	1	Strap-Tie



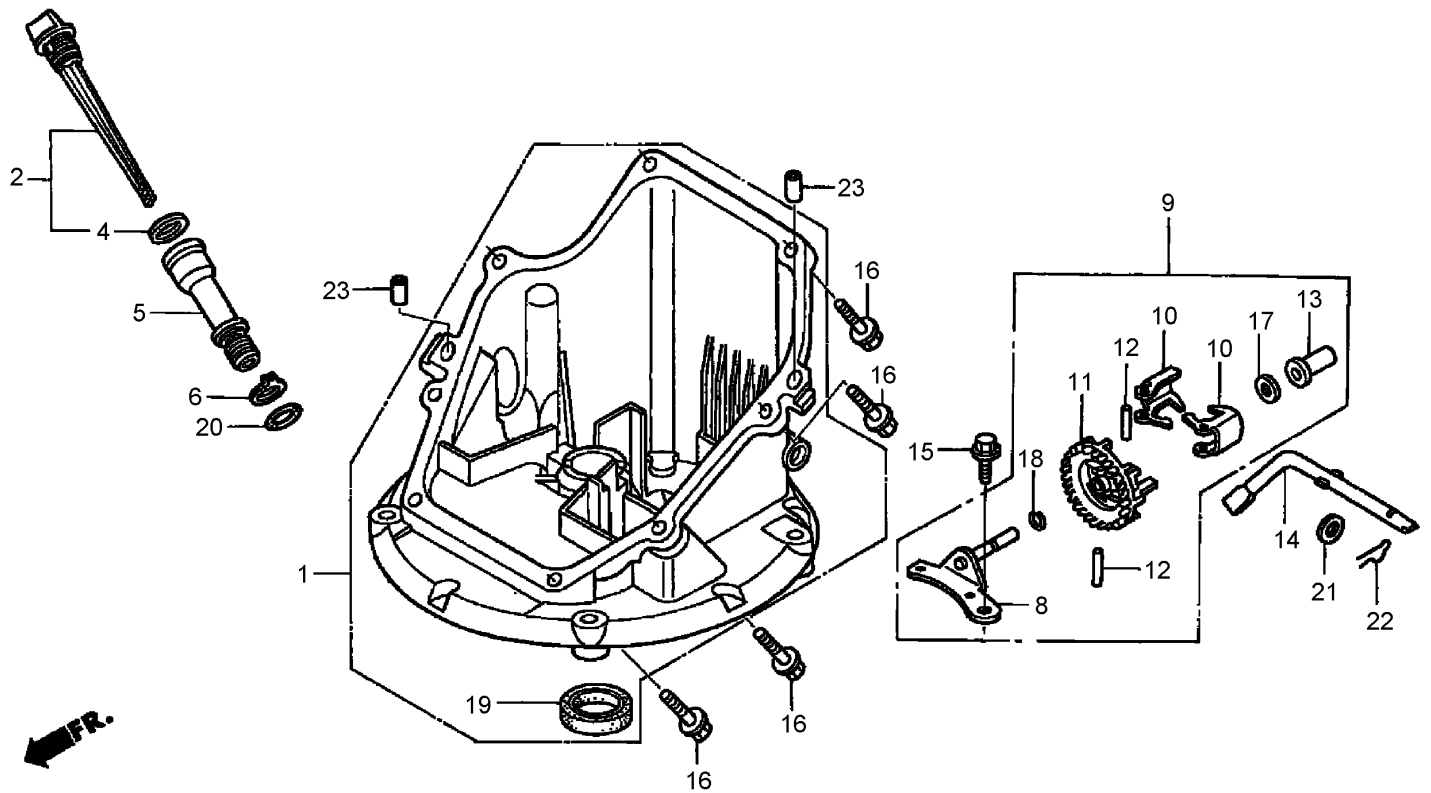
Blade and Engine Assembly

Ref	Part No.	Qty.	Description				
1	105-8579	1	Bolt-Blade				
2	108-3766-03	1	Support-Blade				
3	108-0954-03	1	Blade-21 Inch				
4	106-3987	1	Blade Driver ASM				
5	106-3999	1	Spacer-Driver				
6	92-1624	3	Screw				
7	105-3030-03	1	Guide-Belt				
8	110-1832	1	Cover-Belt				
9	46-8091	3	Screw-HWH				
10	92-1701	1	Stop-Rope				
11		1	Engine-Honda, Gcv160A Stl1				
16	108-7529	1	Decal				
17	98-1394	1	Screw-HWH				
20	106-8345	1	Handle-Recoil				



Rear Bag Assembly

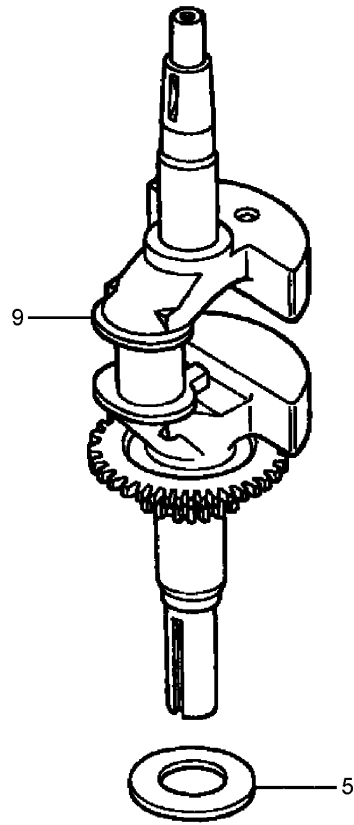
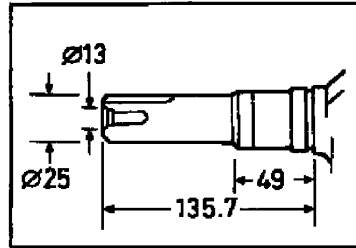
Ref	Part No.	Qty.	Description
1	107-3911	1	Bag-Grass
2	107-3912-03	1	Bag Frame ASM



Oil Pan Assembly Honda GCV160A STL1

Ref	Part No.	Qty.	Description
❶	11300-ZM0-405	1	Oil Pan ASM (000)
❷	15650-ZM0-801	1	Dipstick-Oil
❸	15625-ZE6-000	1	Gasket-Cap, Oil Filler
❹	15631-ZM0-000	1	Extension-Filler, Oil
❺	15639-ZM0-000	1	Washer-Lock, Extension
❻	16508-ZM0-010	1	Shaft-Holder, Governor
❼	16510-ZM0-010	1	Governor ASM
❽	16511-ZL8-000	2	Weight-Governor
❾	16512-ZM0-000	1	Holder-Weight, Governor
❿	16513-ZE1-000	2	Pin-Weight, Governor
⓫	16531-ZE1-000	1	Slider-Governor
⓬	16541-ZM0-000	1	Shaft-Arm, Governor
⓭	90014-952-000	1	Bolt-Flange (6X14)

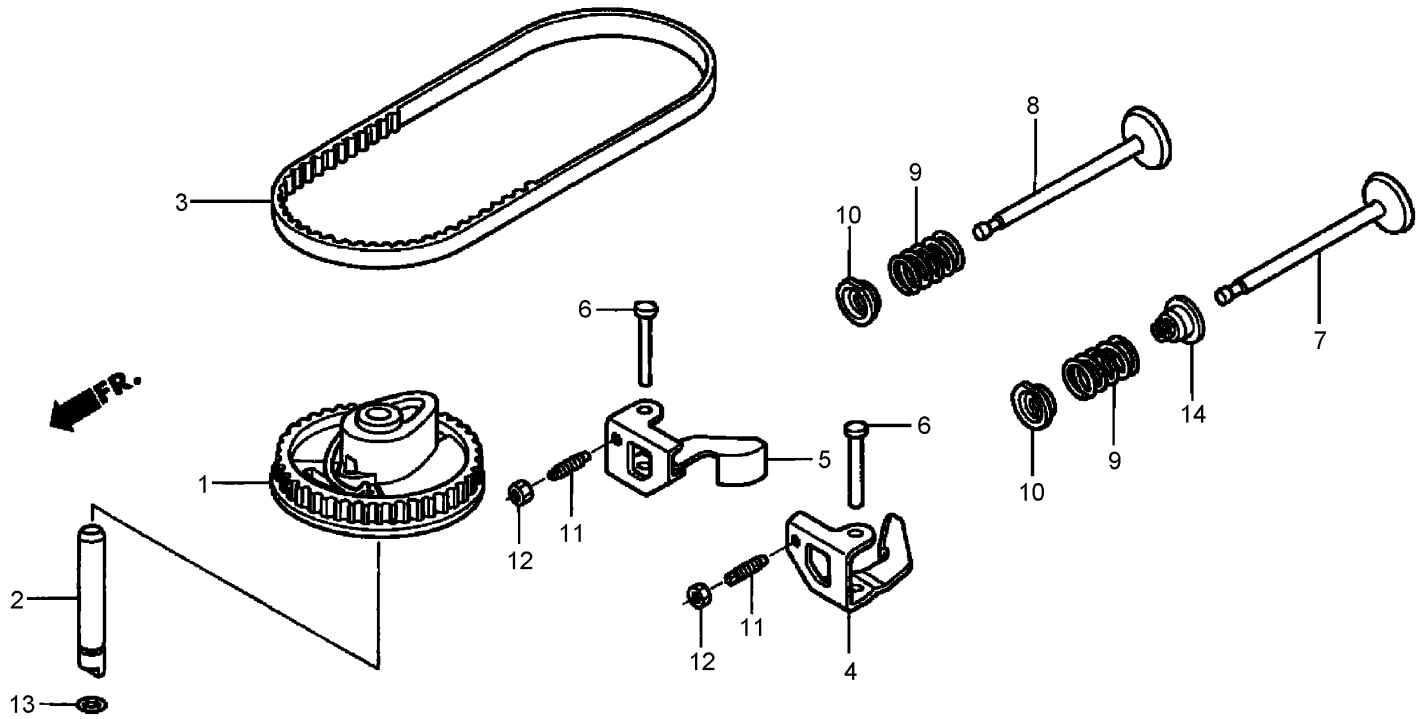
Ref	Part No.	Qty.	Description
❶❹	90121-952-000	8	Bolt-Flange (6X25)
❶❷	90451-ZE1-000	1	Washer-Thrust (6Mm)
❶❸	90602-ZE1-000	1	Clip-Holder, Governor
❶❹	91202-ZL8-003	1	Seal-Oil (28X41.25X6)
❶❺	91303-KF0-003	1	O-Ring (14.8X2.4) (Arai)
❶❻	91356-MA6-005	1	O-Ring
❶❼	94101-06800	1	Washer-Plain (6Mm)
❶❽	94251-08000	1	Pin-Lock (8Mm)
❶❾	94301-08200	2	Pin-Dowel (8X20)



Crankshaft Assembly Honda GCV160A STL1

Ref	Part No.	Qty.	Description
5	90402-ZL8-000	1	Washer-Thrust
9	13310-Z0L-V70	1	Crankshaft

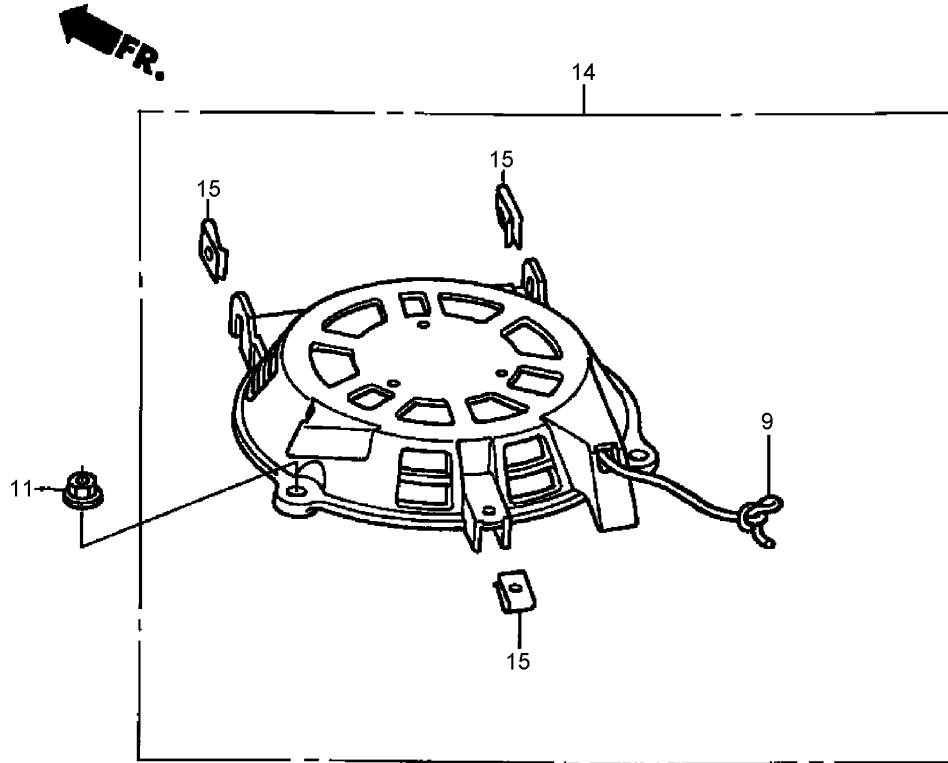
--	--	--	--



Camshaft Pulley Assembly Honda GCV160A STL1

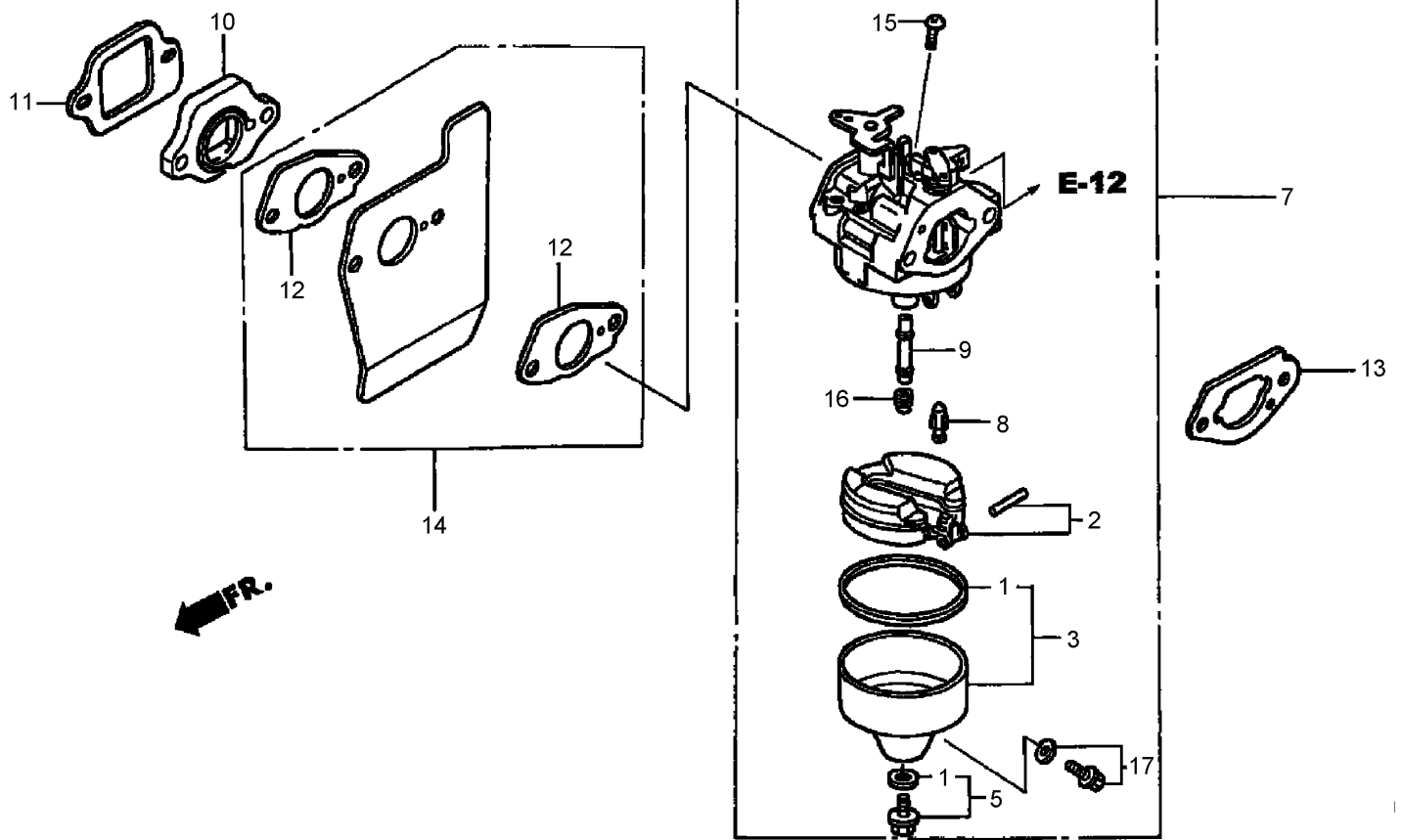
Ref	Part No.	Qty.	Description
❶	14320-ZL8-010	1	Pulley-Camshaft
❷	14324-ZL8-000	1	Shaft-Pulley
❸	14400-Z0J-014	1	Belt-Timing (84Hu7 G-200)
❹	14431-Z0J-000	1	Rocker Arm-Valve, Intake
❺	14441-Z0J-000	1	Rocker Arm-Valve, Exhaust
❻	14461-ZL8-000	2	Shaft-Arm, Rocker
❼	14711-Z0J-000	1	Valve-Intake
❽	14721-ZL8-000	1	Valve-Exhaust
❾	14751-ZL8-000	2	Spring-Valve
❿	14771-Z0J-000	2	Retainer-Spring, Valve
⓫	90012-333-000	2	Screw-Tappet, Adj.
⓬	90206-001-000	2	Nut-Tappet, Adj.
⓭	91301-ZM0-V31	1	O-Ring (6.8X1.9)

Ref	Part No.	Qty.	Description
⓮	12209-ZM0-003	1	Seal-Stem, Valve



Recoil Starter Assembly Honda GCV160A STL1

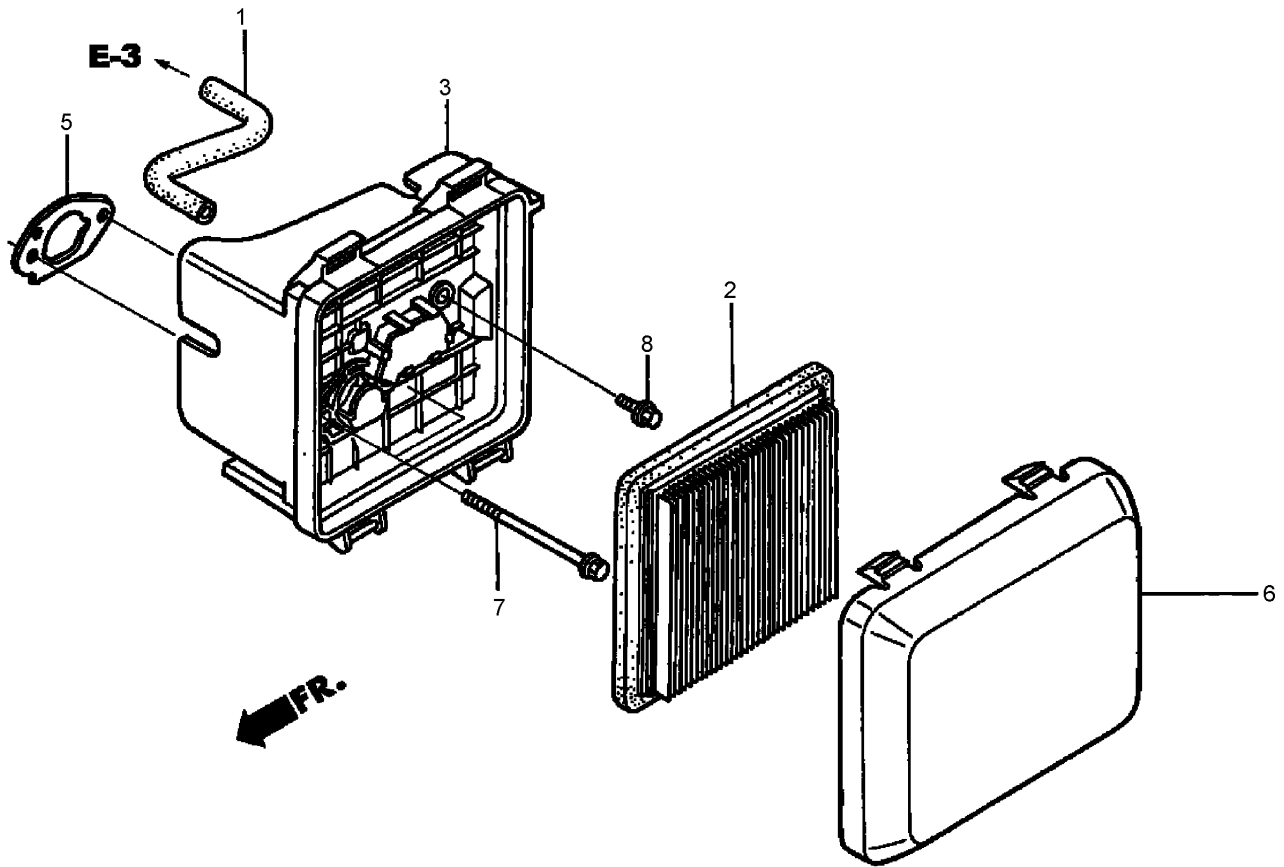
Ref	Part No.	Qty.	Description				
9	28462-Z0L-V71	1	Rope-Starter, Recoil				
11	90201-ZM0-000	3	Nut-Flange (6Mm)				
14	28400-Z0L-V72	1	Recoil Starter ASM				
15	66871-KY2-700	3	Nut-Cowl				



Carburetor Assembly Honda GCV160A STL1

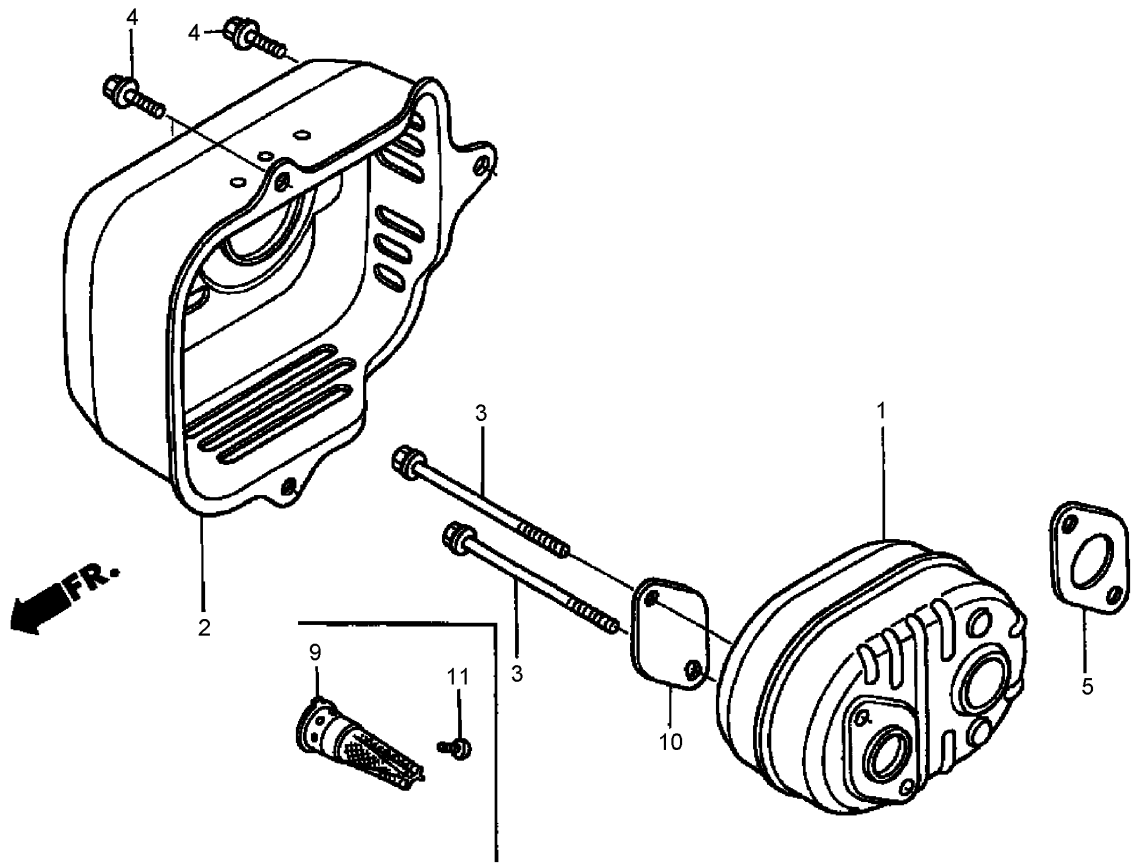
Ref	Part No.	Qty.	Description
●1	16010-883-015	1	Gasket Set
●2	16013-ZL1-003	1	Float Set
●3	16015-887-782	1	Chamber Set-Float
●5	16028-ZE0-005	1	Screw-Set
●7	16100-Z0L-802	1	Carburetor ASM (Bb62G B)
●8	16155-ZM0-013	1	Valve-Float (Carburetor No.)
●9	16166-ZM0-003	1	Nozzle-Main
●10	16211-ZL8-000	1	Insulator-Carburetor
●11	16212-ZL8-000	1	Gasket-Insulator
●12	16221-883-800	2	Gasket-Carburetor
●13	16228-ZL8-000	1	Gasket-Carburetor (Choke Side)
●14	19650-ZM0-000	1	Guide-Air
●15	93500-05006-0H	1	Screw-Pan (5X6)

Ref	Part No.	Qty.	Description
●16	99101-124-0600	1	Jet-Main (#60)
●16	99101-124-0620	1	Jet-Main (#62)
●16	99101-124-0650	1	Jet-Main (#65)
●17	16024-ZE1-811	1	Screw Set-Drain



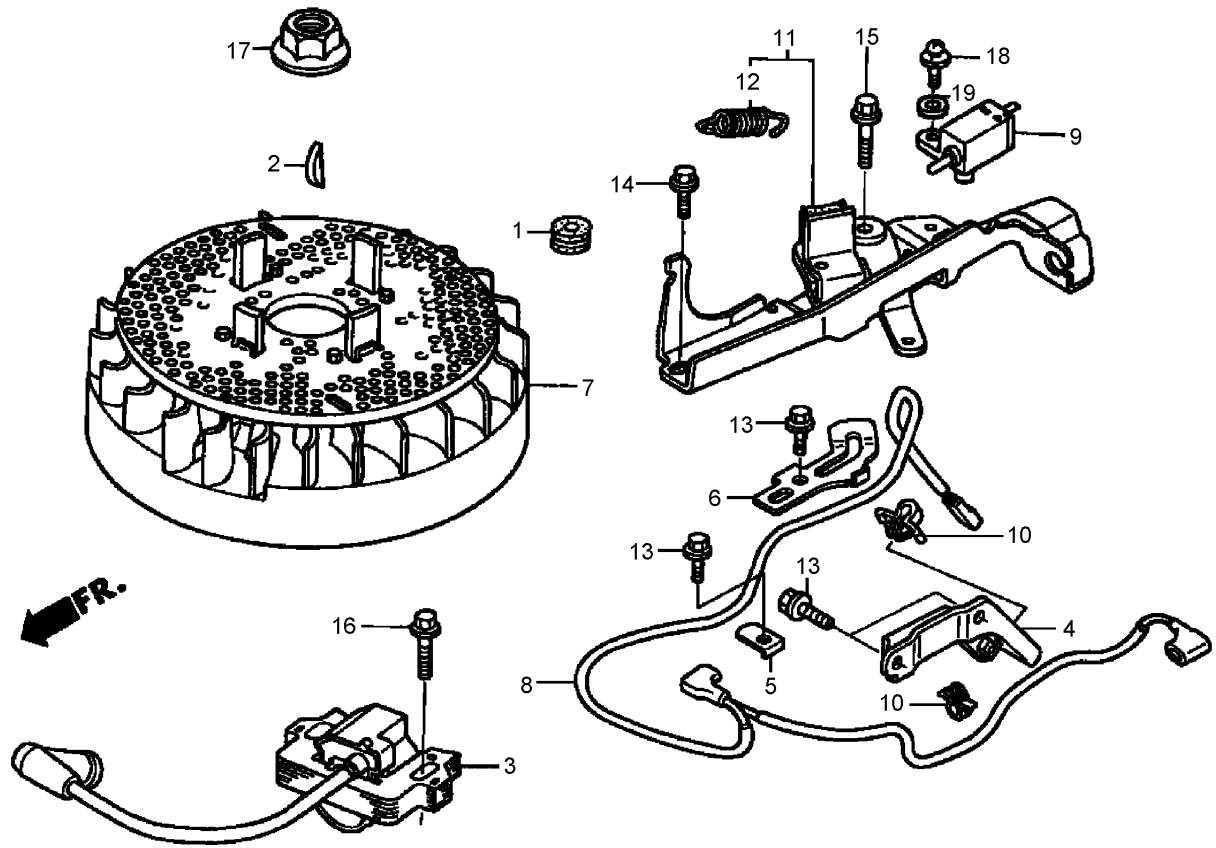
Air Cleaner Assembly Honda GCV160A STL1

Ref	Part No.	Qty.	Description
❶	15721-ZM0-000	1	Tube-Breather
❷	17211-ZL8-013	1	Element-Cleaner, Air
❸	17220-ZM0-000	1	Air Cleaner Case ASM
❺	17228-ZM0-000	1	Gasket-Cleaner, Air
❻	17231-Z0L-030	1	Cover-Cleaner, Air
❼	90003-ZM0-000	2	Bolt-Flange (6X86) (Ct200)
❽	95701-06014-08	1	Bolt-Flange (6X14)



Muffler Assembly Honda GCV160A STL1

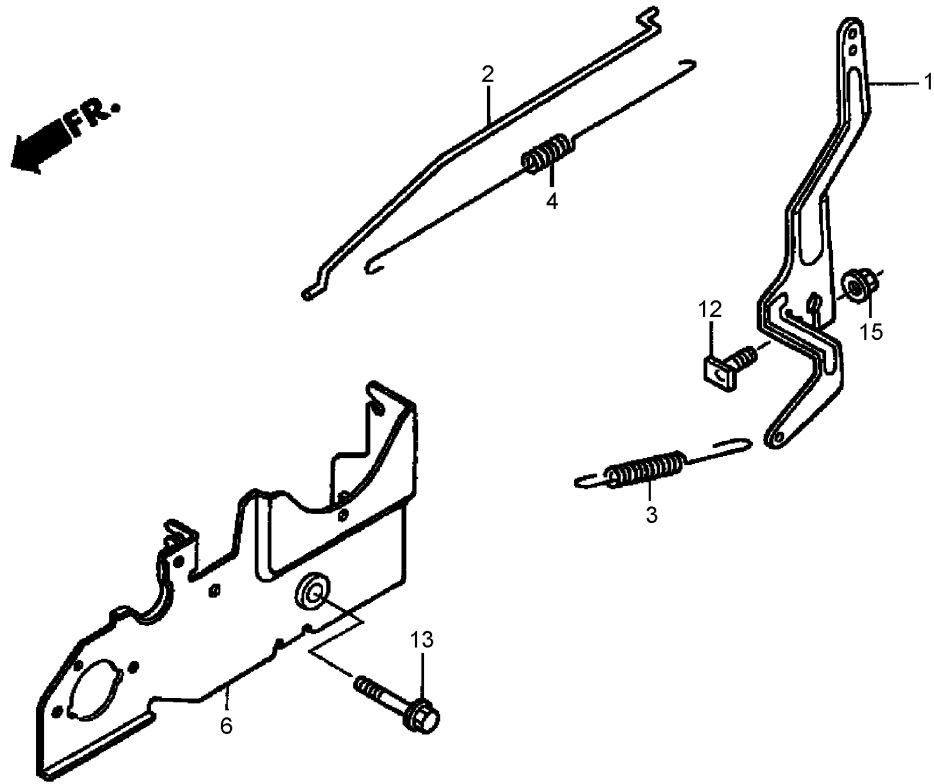
Ref	Part No.	Qty.	Description	
1	18310-ZM0-000	1	Muffler	
2	18321-Z0L-J00	1	Protector-Muffler (Cbu)	
3	90004-ZL8-000	2	Bolt-Flange (6X79) (Ct200)	
4	90013-883-000	3	Bolt-Flange (6X12) (Ct200)	
5	18381-ZL8-305	1	Gasket-Muffler	
9	18350-ZL8-000	1	Arrester-Spark	
10	18356-ZL8-000	1	Plate-Number, Arrester	
11	90055-ZE1-000	1	Screw-Tapping (4X6)	



Flywheel Assembly Honda GCV160A STL1

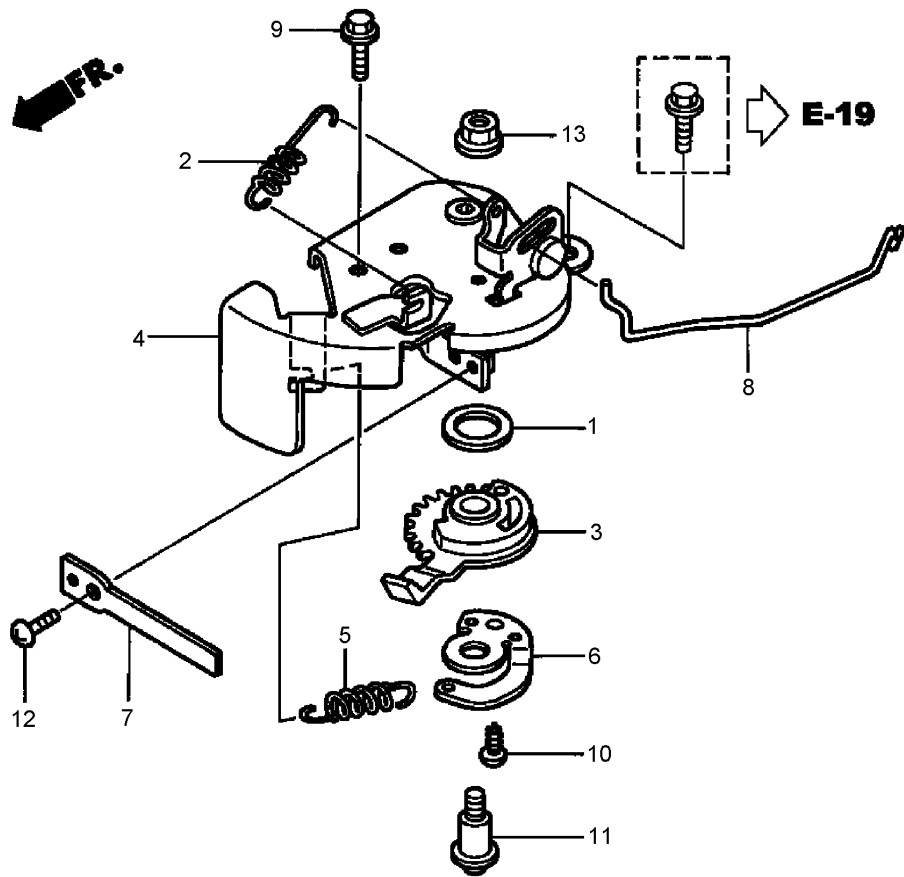
Ref	Part No.	Qty.	Description
❶	11344-MB0-000	1	Grommet-Cover, A-Rr
❷	13331-357-000	1	Key-Woodruff (25X18)
❸	30500-ZL8-004	1	Ignition Coil ASM
❹	30547-Z0L-S00	1	Clamp-Wire, Stop Switch
❺	30548-ZL8-000	1	Clamp-Wire, Stop Switch
❻	30549-ZL8-000	1	Clamp-Wire
❼	31105-ZM0-000	1	Flywheel ASM
❽	32195-Z0L-S00	1	Wire-Switch, Stop
❾	35120-ZM0-003	1	Engine Stop Switch ASM
❿	51125-Z0L-003	2	Holder-Wire
❿	90681-959-003	2	Clip-Cable (A)
⓫	75110-Z0L-800	1	Brake Sub ASM
⓬	75113-ZM0-000	1	Spring-Lever, Brake

Ref	Part No.	Qty.	Description
⓭	90013-883-000	4	Bolt-Flange (6X12) (Ct200)
⓮	90014-952-000	1	Bolt-Flange (6X14)
⓯	90018-ZE1-000	1	Bolt-Flange
⓰	90022-888-010	1	Bolt-Flange (6X20)
⓱	90201-878-003	1	Nut (14Mm)
⓲	93892-04012-00	1	Screw-Washer
⓳	94103-04000	1	Washer-Plain



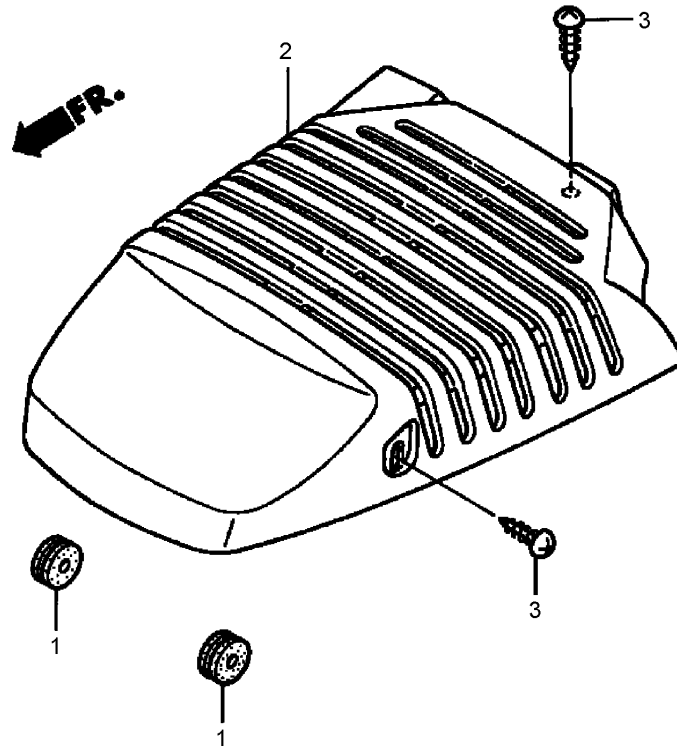
Control Assembly Honda GCV160A STL1

Ref	Part No.	Qty.	Description
❶	16551-ZM0-010	1	Arm-Governor
❷	16555-Z0L-800	1	Rod-Governor
❸	16561-Z0L-000	1	Spring-Governor
❹	16562-ZM0-000	1	Spring-Return, Throttle
❻	16580-Z0L-810	1	Base-Control
❸❷	90015-ZE5-010	1	Bolt-Arm, Governor
❸❸	90016-ZE8-000	1	Bolt-Flange (6X45)
❸❹	94050-06000	1	Nut-Flange (6Mm)



Choke Base Assembly Honda GCV160A STL1

Ref	Part No.	Qty.	Description				
❶	16251-Z0L-800	1	Seal-Lever, Choke				
❷	16592-ZJ1-000	1	Spring-Return, Cable				
❸	16612-Z0L-800	1	Lever-Choke				
❹	16613-Z0L-800	1	Base-Choke				
❺	16614-Z0L-800	1	Spring-Lever, Choke				
❻	16616-Z0L-800	1	Hook-Spring, Choke				
❼	16619-Z0L-800	1	Plate-Choke				
❽	16632-Z0L-800	1	Rod-Stop				
❾	90029-888-000	1	Bolt-Flange (6X16)				
❿	90102-SP1-003	1	Screw-Tapping (4X8) (Po)				
⓫	90141-KT8-000	1	Screw-Pan (5X19)				
⓬	93500-04008-0H	1	Screw-Pan (4X8)				
⓭	94050-05000	1	Nut-Flange (5Mm)				



Top Cover Assembly Honda GCV160A STL1

Ref	Part No.	Qty.	Description				
●1	16613-883-610	2	Grommet-Rod, Choke				
●2	19721-Z0L-000ZA	1	Cover-Top				
●3	90137-SH3-000	3	Screw-Tapping (4X16)				

Attachments and Accessories

For 10695 - Insight Gold Lawn Mower

Product Name	Model/Part
Loose Parts Kit	108-9355
Replacement Bag	89815
Rear Bag Kit	89913
21 Inch Blade	89914
Cruise Control Kit	89919
Air Filter	89928
Spark Plug	89947

NOTES

