



**21in Mulching/Rear Bagging
Lawn Mower**

Model No. 17754—Serial No. 40000000 and Up

Parts Catalog



Ordering Replacement Parts

To order replacement parts, please supply the part number, the quantity, and the description of each part desired.

Understanding Reference Numbers

Each identified part in an illustration has a reference number. The reference number for a part also appears in the parts list, along with other information about the part.

This catalog uses two special reference number formats, one to indicate parts in a service assembly and another to indicate the quantity of a given part in an illustration.

Service Assembly Reference Numbers

Parts in service assemblies have reference numbers in the form a:b. The a represents the reference number of the entire service assembly and the b represents a sequential number unique to each part within the service assembly.

For example, a wheel assembly might be identified by reference number 6, the tire by 6:1, the valve by 6:2, and the wheel by 6:3. When you order the assembly identified by reference number 6, you receive all parts identified by reference numbers 6:1, 6:2, and 6:3. However, you may also order any part individually. Reference numbers of this type appear in illustration and in parts lists.

Reference Numbers Indicating Quantity

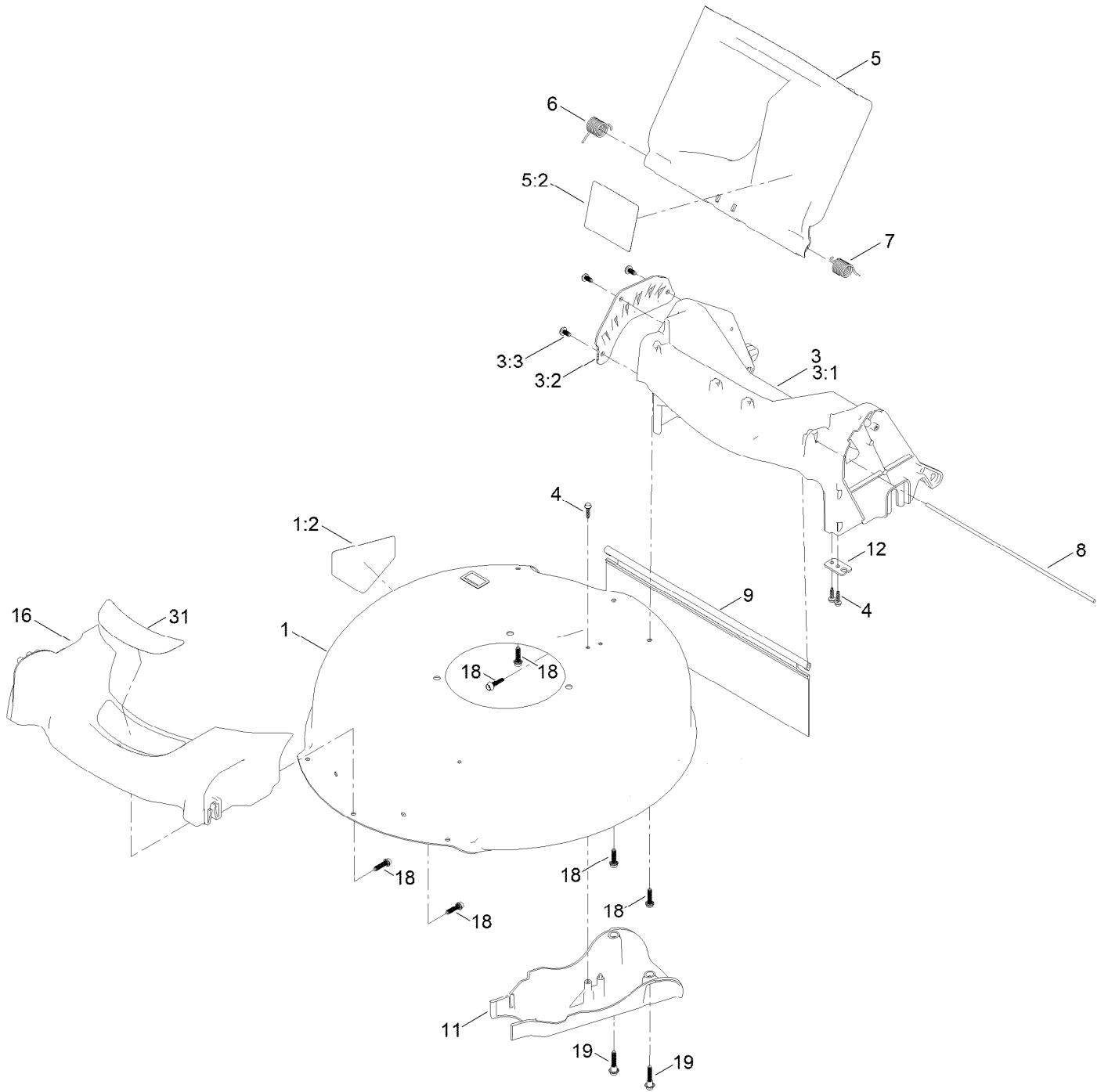
In an illustration, if a reference number indicates more than one part, the reference number has the form nX y. The n represents the quantity of the part, the X is the multiplication symbol, and the y represents the reference number.

For example, in an illustration, the reference number 2X 37 means that two of the parts identified by reference number 37 are indicated.

Contents

Housing Assembly	4
Rear Bag Assembly	6
Engine and Blade Assembly	8
Front Wheel and Height-of-Cut Assembly	10
Rear Wheel and Height-of-Cut Assembly	12
Handle Assembly	14
Electrical Assembly	16
Attachments and Accessories	18

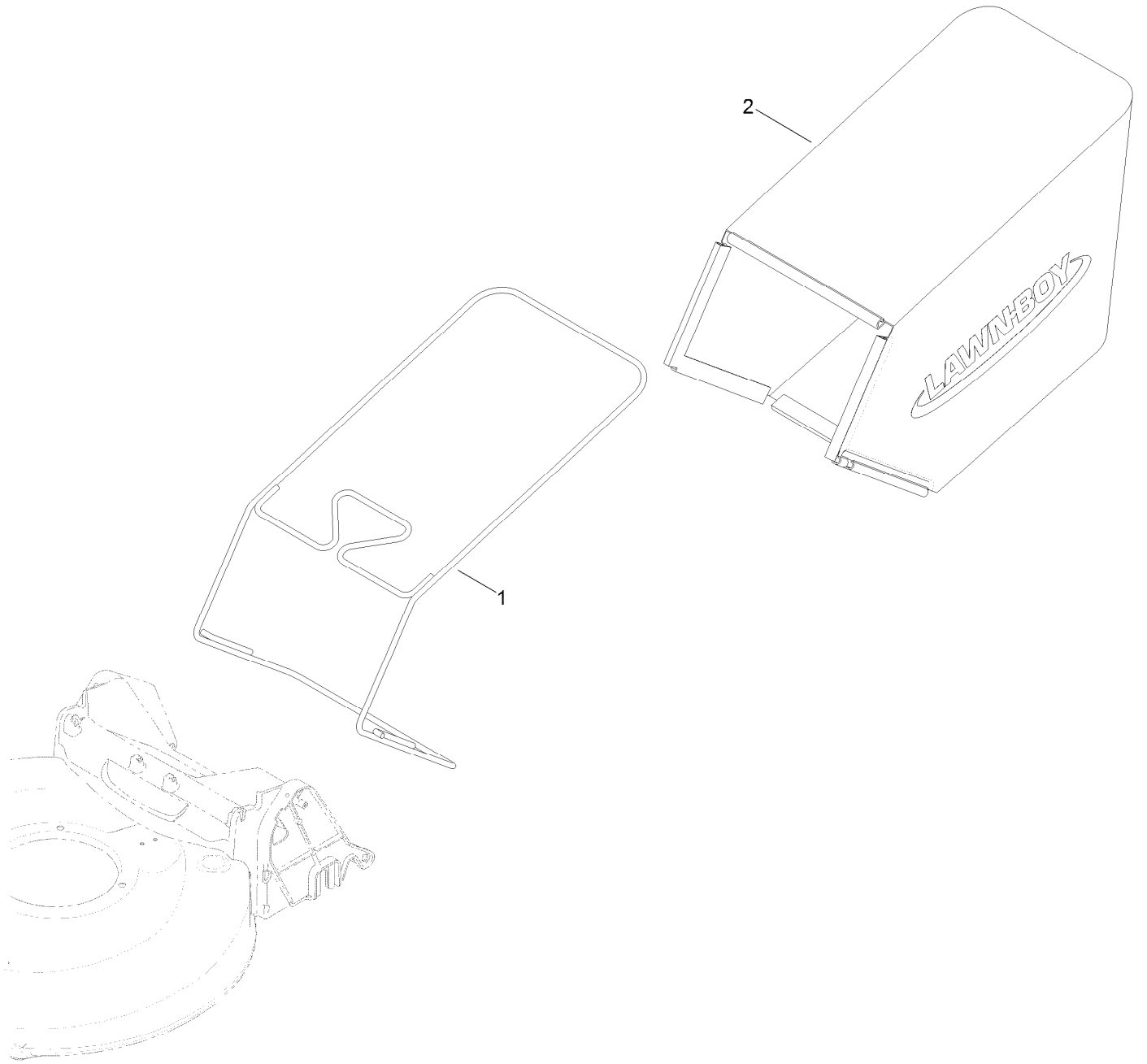
Housing Assembly



Housing Assembly (continued)

<i>Ref.</i>	<i>Part Number</i>	<i>Qty.</i>	<i>Description</i>	<i>Ref.</i>	<i>Part Number</i>	<i>Qty.</i>	<i>Description</i>
1	133-1938	1	Housing ASM	7	138-5378	1	Spring-Torsion
1:2	94-8072	1	Decal-Danger	8	127-0698	1	Rod-Door
3	139-1805	1	Chute ASM	9	127-0724	1	Shield-Trailing
3:1	140-4160	1	Chute-Sp/Awd, 21 In	11	127-0723	1	Cover-Belt
3:2	133-1905-03	1	Plate-HOC	12	127-0730	1	Bracket-Cable
3:3	139-1679	3	Screw-Plastic,PH	16	127-0677	1	Bumper
4	127-6831	3	Screw-HWH	18	130-6658	7	Screw-Flange, Plastic
5	130-2368	1	Rear Deflector ASM	19	131-0837	2	Screw-Shoulder, HHF
5:2	117-4143	1	Decal-Warning	31	127-6830	1	Decal-Deck
6	127-6807	1	Spring-Torsion				

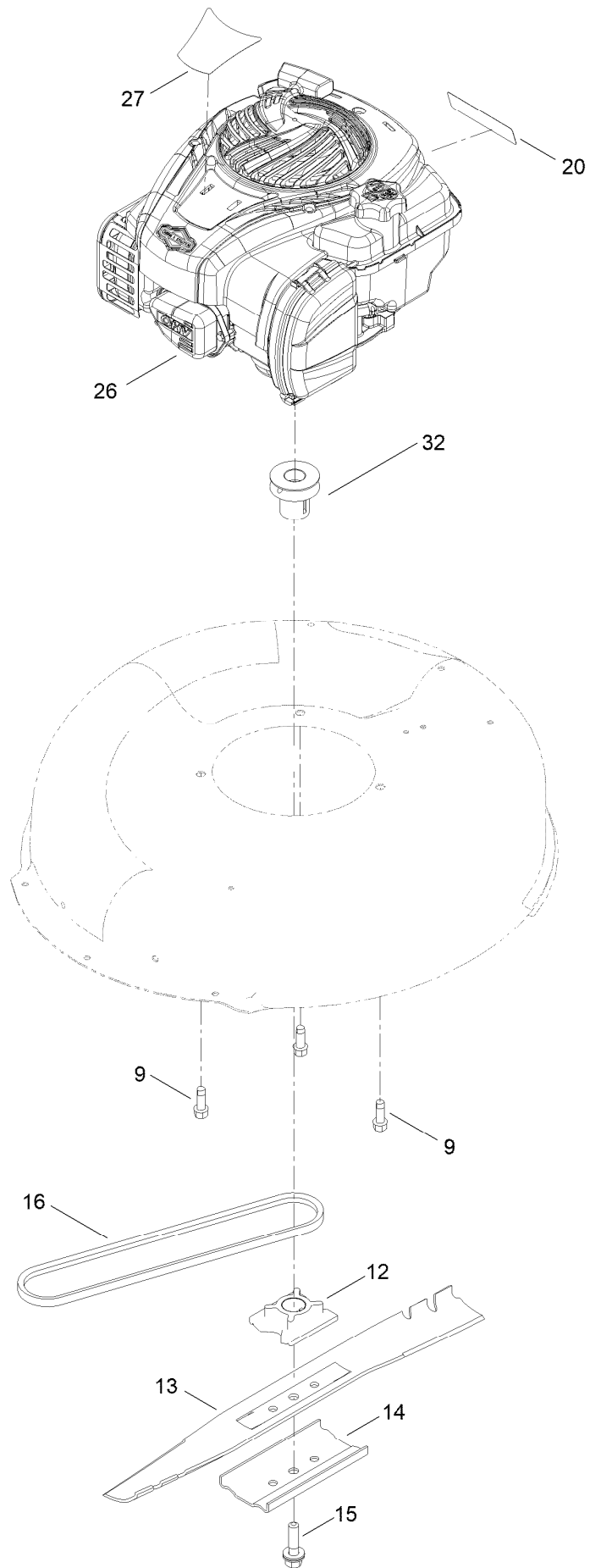
Rear Bag Assembly



Rear Bag Assembly (continued)

<i>Ref.</i>	<i>Part Number</i>	<i>Qty.</i>	<i>Description</i>
1	131-9697-03	1	Frame-Bag
2	127-0701	1	Grass Bag ASM

Engine and Blade Assembly



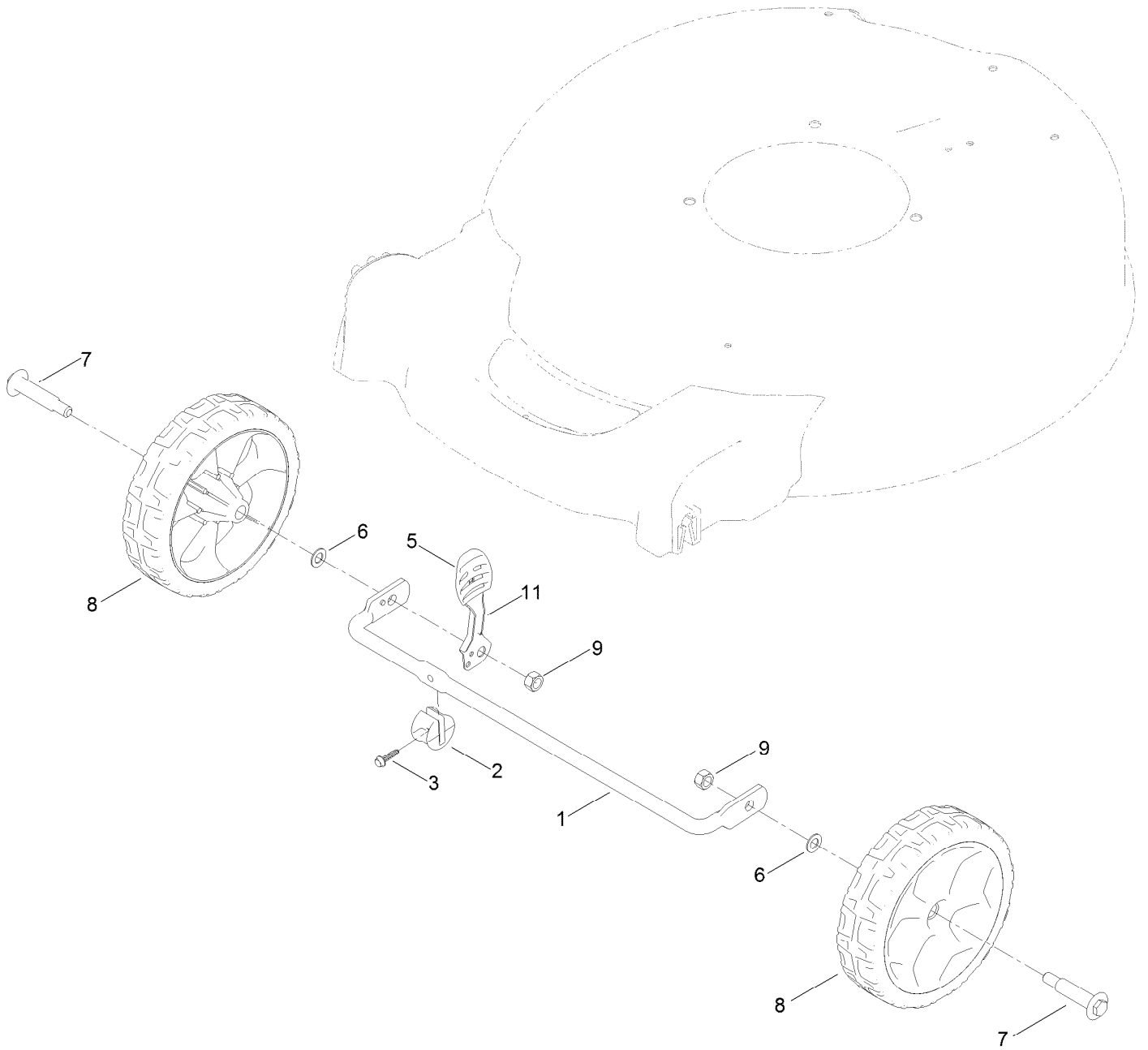
Engine and Blade Assembly (continued)

<i>Ref.</i>	<i>Part Number</i>	<i>Qty.</i>	<i>Description</i>	<i>Ref.</i>	<i>Part Number</i>	<i>Qty.</i>	<i>Description</i>
9	95-1726	3	Screw-Taptite	20	133-8062	1	Decal-Arrestor, Spark
12	125-2454	1	Retainer-Blade	26		1	Engine-Briggs 09P705S01770 ●■
13	133-8182-03	1	Blade-21In	27	125-2518	1	Decal-Engine
14	108-3766-03	1	Support-Blade	32	144-3130	1	Pulley
15	117-5270	1	Bolt-Blade				
16	110-9429	1	V-Belt				

● Not serviced separately

■ Obtain parts from www.briggsandstratton.com

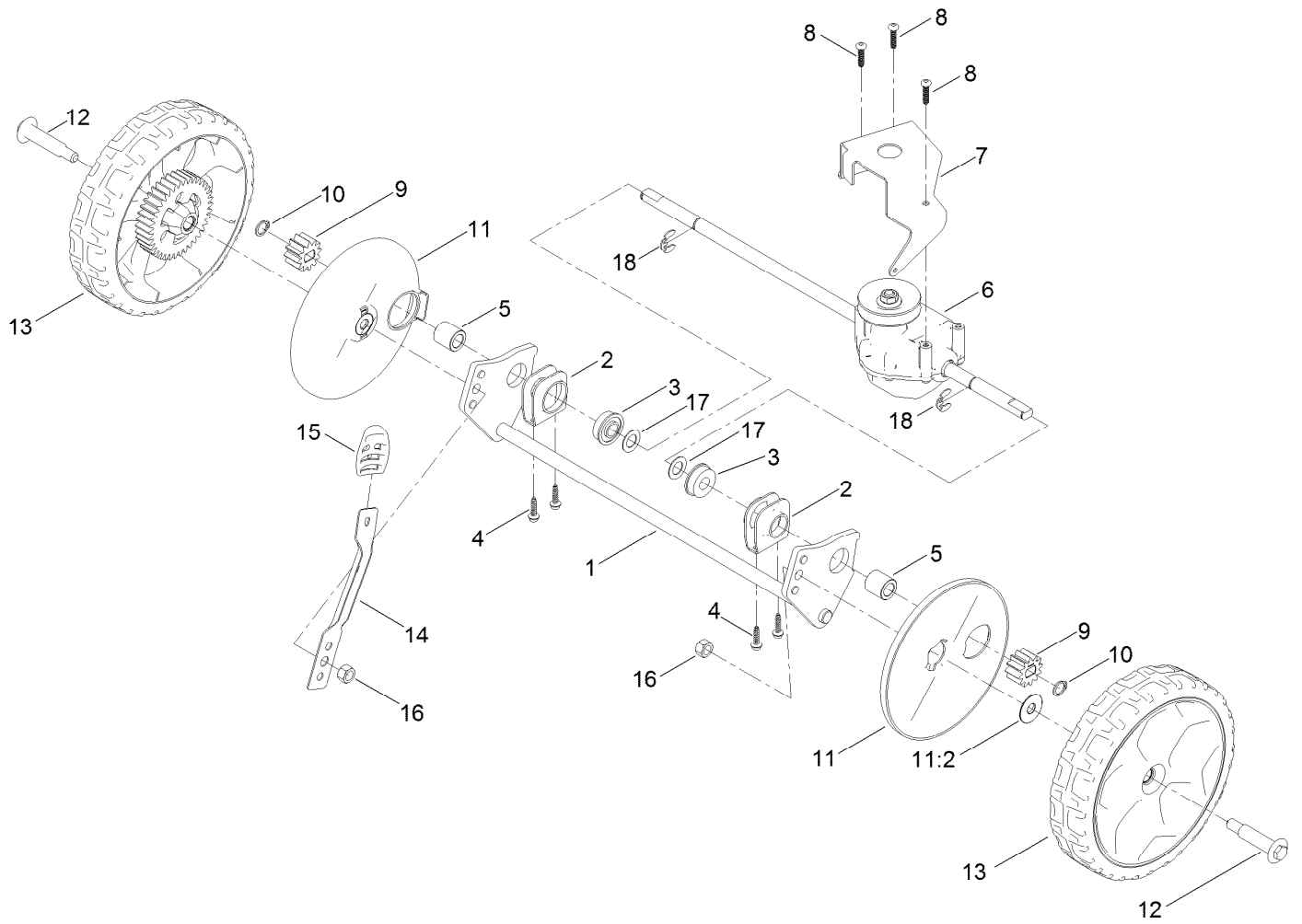
Front Wheel and Height-of-Cut Assembly



Front Wheel and Height-of-Cut Assembly (continued)

<i>Ref.</i>	<i>Part Number</i>	<i>Qty.</i>	<i>Description</i>	<i>Ref.</i>	<i>Part Number</i>	<i>Qty.</i>	<i>Description</i>
1	127-0668-03	1	Axle-Front	7	92-1057	2	Bolt-Shoulder
2	127-6800	1	Stop-Axle	8	127-0683	2	7 Inch Wheel ASM
3	127-6831	1	Screw-HWH	9	603773	2	Locknut
5	105-3042	1	Knob-Lever, HOC	11	133-8154	1	Arm-Spring
6	40-1940	2	Washer				

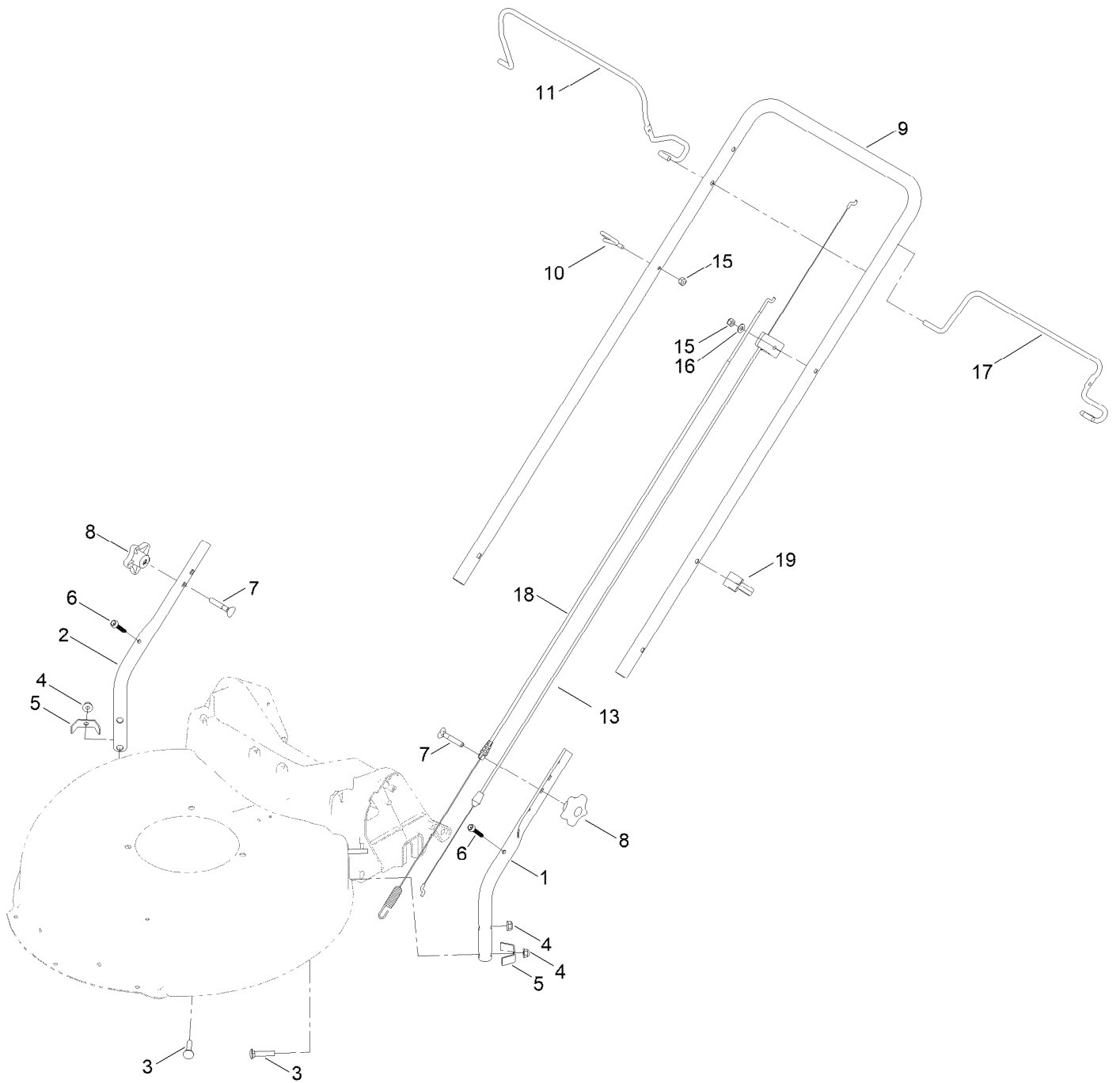
Rear Wheel and Height-of-Cut Assembly



Rear Wheel and Height-of-Cut Assembly (continued)

<i>Ref.</i>	<i>Part Number</i>	<i>Qty.</i>	<i>Description</i>	<i>Ref.</i>	<i>Part Number</i>	<i>Qty.</i>	<i>Description</i>
1	127-0708-03	1	Axle-Rear	11	127-6840	2	Wheel Cover ASM
2	138-3234	2	Retainer-Bearing	11:2	614426	1	Washer-Stepped
3	104-8699	2	Bearing-Ball	12	92-1057	2	Bolt-Shoulder
4	127-6831	4	Screw-HWH	13	127-0692	2	8 Inch Wheel Gear ASM
5	127-6896	2	Bushing-Sleeve	14	127-0711	1	Arm-Spring
6	131-0881	1	Transmission	15	105-3042	1	Knob-Lever, HOC
7	114-7977-03	1	Bracket-Transmission	16	603773	2	Locknut
8	108-7476	3	Screw-Plastite	17	36-4780	2	Washer-Plain
9	115-4668	2	Gear-Pinion	18	65-2720	2	Ring-Retaining, Clip
10	32151-61	2	Ring-Retaining				

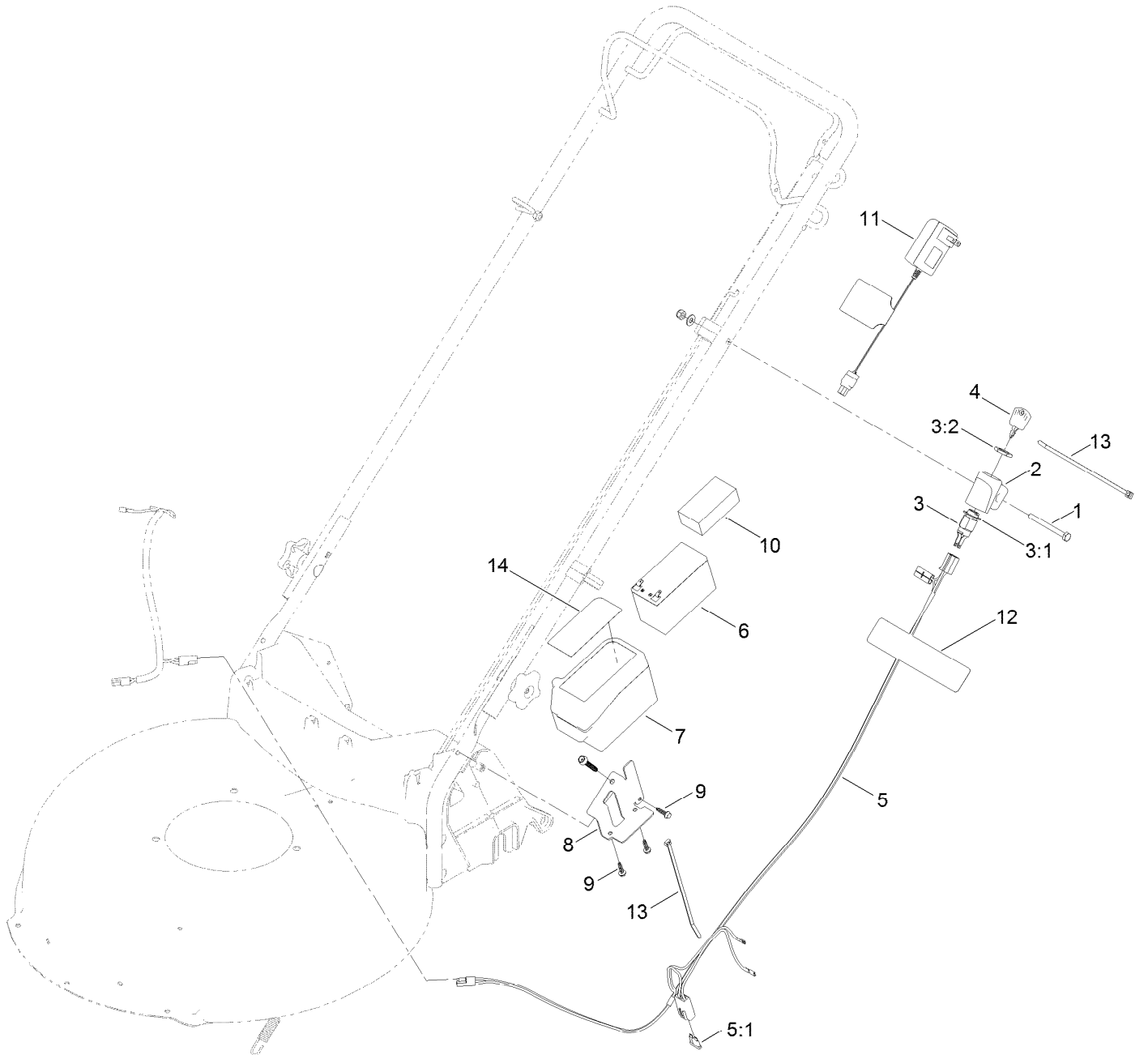
Handle Assembly



Handle Assembly (continued)

<i>Ref.</i>	<i>Part Number</i>	<i>Qty.</i>	<i>Description</i>	<i>Ref.</i>	<i>Part Number</i>	<i>Qty.</i>	<i>Description</i>
1	136-5923-05	1	Handle-Lower, LH	10	86-9671	1	Guide-Rope
2	136-5924-05	1	Handle-Lower, RH	11	138-3268-03	1	Bail-Brake
3	130-6654	4	Bolt-CARR	13	112-8818	1	Cable-Brake
4	130-6655	4	Nut-Flange, NI	15	3296-73	2	Nut-Lock, NI
5	127-0699	2	Bracket-Chute	16	3256-1	1	Washer-Flat
6	130-6659	2	Screw-Flange, Serrated	17	127-0719-03	1	Bail-Traction
7	92-2260	2	Screw-Handle	18	127-0733	1	Cable-Traction
8	117-5976	2	Knob-Handle	19	114-7988	1	Guide-Cable
9	140-3915-05	1	Handle-Upper				

Electrical Assembly



Electrical Assembly (continued)

<i>Ref.</i>	<i>Part Number</i>	<i>Qty.</i>	<i>Description</i>	<i>Ref.</i>	<i>Part Number</i>	<i>Qty.</i>	<i>Description</i>
1	138-3634	1	Screw-HH	7	127-0695	1	Battery Box ASM
2	108-9760	1	Mount-Switch	8	127-6835-03	1	Bracket-Battery
3	46-5780	1	Starter Switch ASM	9	127-6831	3	Screw-HWH
3:1	3254-5	1	Washer-Lock	10	107-3774	1	Foam-Battery, Top
3:2	218-461	1	Nut-HH	11	136-9126	1	Charger, Battery (12V)
4	700918	1	Key	12	140-4357	1	Decal-Battery Charging
5	127-6837	1	Harness-Wire	13	614249	2	Tie-Cable
5:1	99-6124	1	Fuse-40 Amp	14	130-6650	1	Decal
6	127-0694	1	Battery-Nonspillable, 12 V				

Attachments and Accessories

For 17754 21in Mulching/Rear Bagging Lawn Mower

Product Name	Model/Part
21in Lawn-Boy Replacement Bag.....	89500
21in Lawn-Boy Bag and Frame Kit	89501
Side-Discharge Deflector, 2013 and After 21in Steel Deck Mower	136-7060
21in Blade.....	89914P
Lawn-Boy Premium Fuel Treatment .5 Oz	130-6653
Lawn Striping Kit with 22in Roller.....	20601
Lawn-Boy WPM Cover	215326
Lawn-Boy Oil	89885
Lawn-Boy Paint	110-8800

Notes:

