



**21in Mulching/Rear Bagging  
Lawn Mower**

Model No. 17752—Serial No. 40000000 and Up

**Parts Catalog**



# Ordering Replacement Parts

To order replacement parts, please supply the part number, the quantity, and the description of each part desired.

## Understanding Reference Numbers

Each identified part in an illustration has a reference number. The reference number for a part also appears in the parts list, along with other information about the part.

This catalog uses two special reference number formats, one to indicate parts in a service assembly and another to indicate the quantity of a given part in an illustration.

## Service Assembly Reference Numbers

Parts in service assemblies have reference numbers in the form a:b. The a represents the reference number of the entire service assembly and the b represents a sequential number unique to each part within the service assembly.

For example, a wheel assembly might be identified by reference number 6, the tire by 6:1, the valve by 6:2, and the wheel by 6:3. When you order the assembly identified by reference number 6, you receive all parts identified by reference numbers 6:1, 6:2, and 6:3. However, you may also order any part individually. Reference numbers of this type appear in illustration and in parts lists.

## Reference Numbers Indicating Quantity

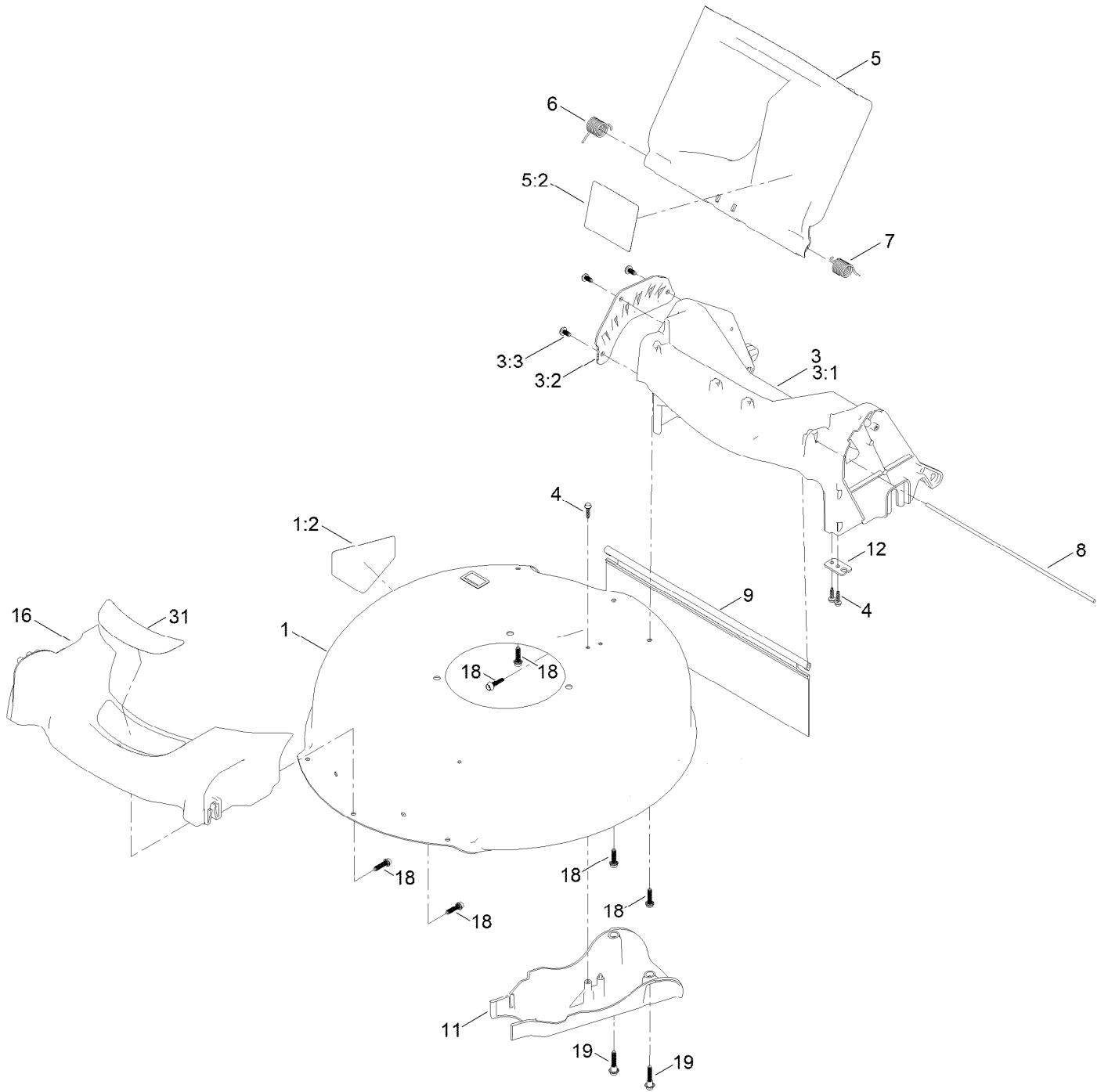
In an illustration, if a reference number indicates more than one part, the reference number has the form nX y. The n represents the quantity of the part, the X is the multiplication symbol, and the y represents the reference number.

For example, in an illustration, the reference number 2X 37 means that two of the parts identified by reference number 37 are indicated.

# Contents

Housing Assembly .....	4
Rear Bag Assembly .....	6
Engine and Blade Assembly .....	8
Front Wheel and Height-of-Cut Assembly .....	10
Rear Wheel and Height-of-Cut Assembly .....	12
Handle Assembly .....	14
Attachments and Accessories .....	16

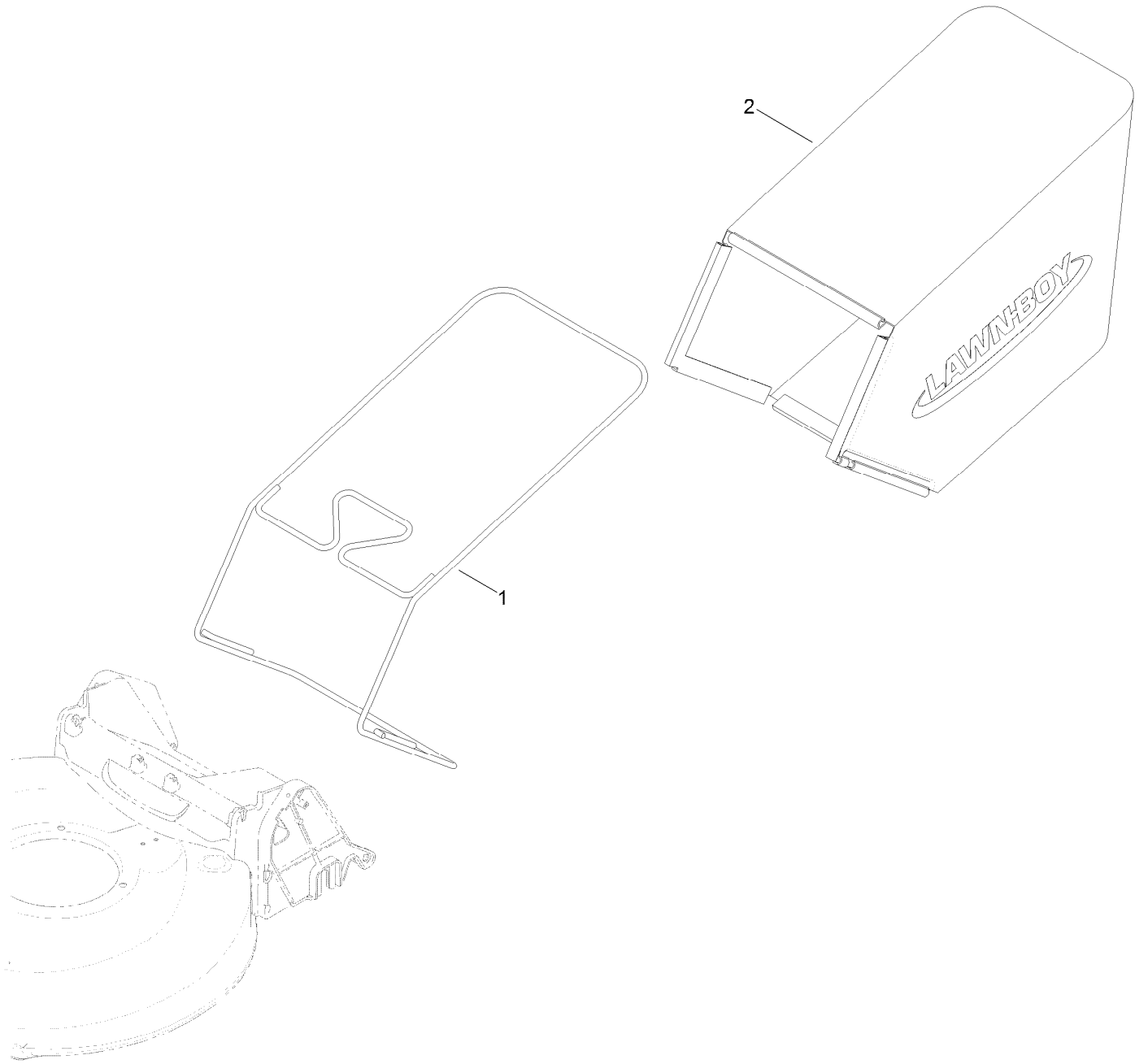
# Housing Assembly



## Housing Assembly (continued)

<i>Ref.</i>	<i>Part Number</i>	<i>Qty.</i>	<i>Description</i>	<i>Ref.</i>	<i>Part Number</i>	<i>Qty.</i>	<i>Description</i>
1	133-1938	1	Housing ASM	7	138-5378	1	Spring-Torsion
1:2	94-8072	1	Decal-Danger	8	127-0698	1	Rod-Door
3	139-1805	1	Chute ASM	9	127-0724	1	Shield-Trailing
3:1	140-4160	1	Chute-Sp/Awd, 21 In	11	127-0723	1	Cover-Belt
3:2	133-1905-03	1	Plate-HOC	12	127-0730	1	Bracket-Cable
3:3	139-1679	3	Screw-Plastic,PH	16	127-0677	1	Bumper
4	127-6831	3	Screw-HWH	18	130-6658	7	Screw-Flange, Plastic
5	130-2368	1	Rear Deflector ASM	19	131-0837	2	Screw-Shoulder, HHF
5:2	117-4143	1	Decal-Warning	31	127-6830	1	Decal-Deck
6	127-6807	1	Spring-Torsion				

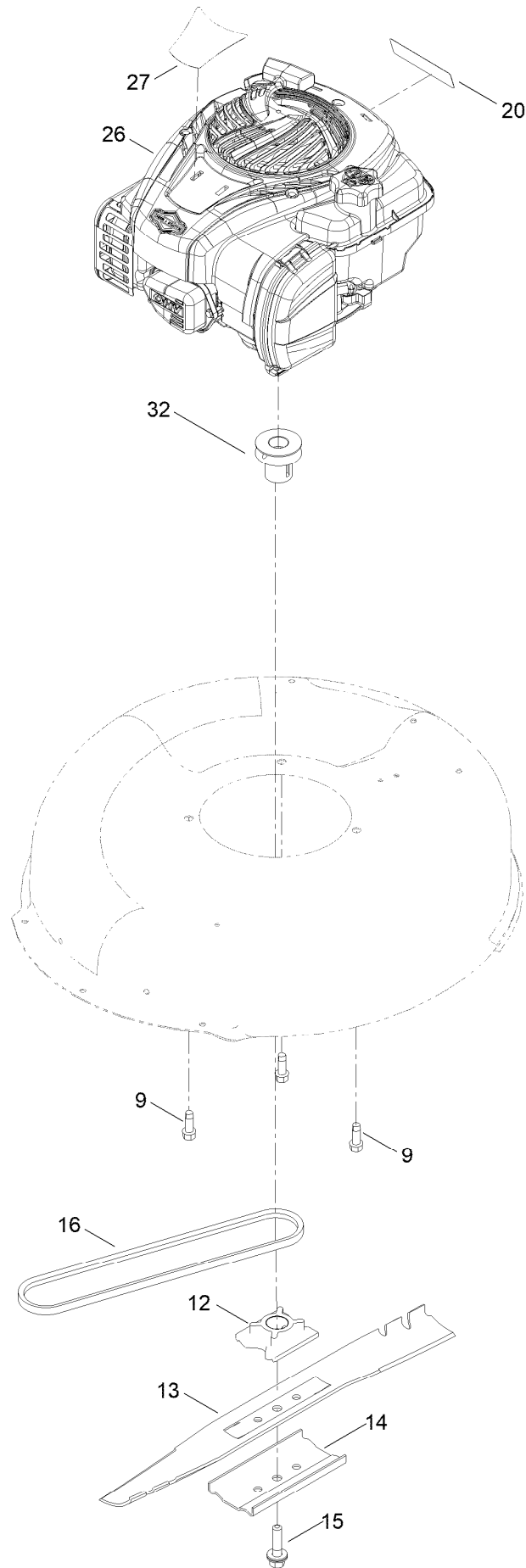
# Rear Bag Assembly



## Rear Bag Assembly (continued)

<i>Ref.</i>	<i>Part Number</i>	<i>Qty.</i>	<i>Description</i>
1	131-9697-03	1	Frame-Bag
2	127-0701	1	Grass Bag ASM

# Engine and Blade Assembly





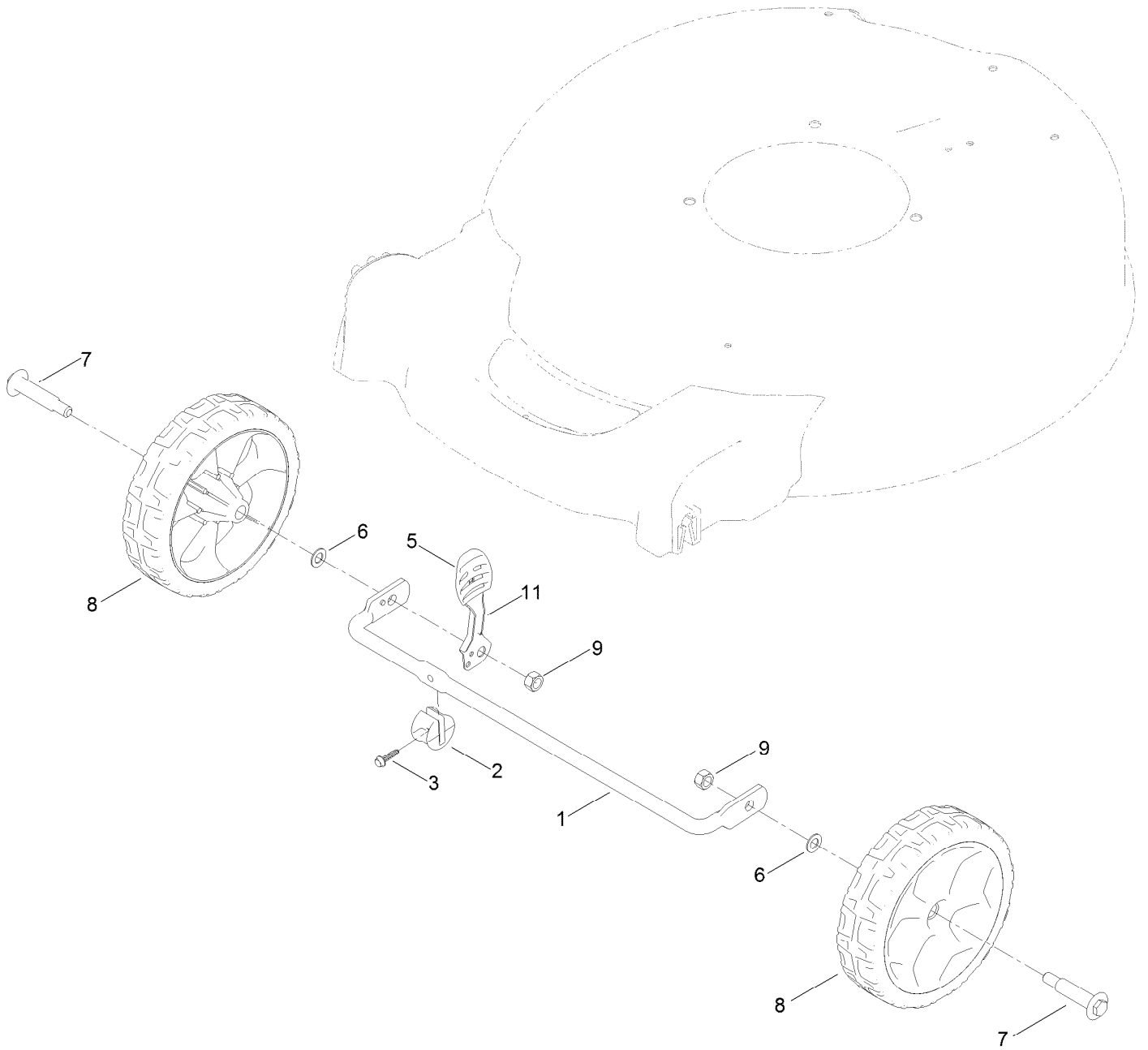
## Engine and Blade Assembly (continued)

<i>Ref.</i>	<i>Part Number</i>	<i>Qty.</i>	<i>Description</i>	<i>Ref.</i>	<i>Part Number</i>	<i>Qty.</i>	<i>Description</i>
9	95-1726	3	Screw-Taptite	16	110-9429	1	V-Belt
12	125-2454	1	Retainer-Blade	20	133-8062	1	Decal-Arrestor, Spark
13	133-8182-03	1	Blade-21In	26		1	Engine-Briggs, 550 Ex ●■
14	108-3766-03	1	Support-Blade	27	125-2518	1	Decal-Engine
15	117-5270	1	Bolt-Blade	32	144-3130	1	Pulley

● Not serviced separately

■ Obtain parts from [www.briggsandstratton.com](http://www.briggsandstratton.com)

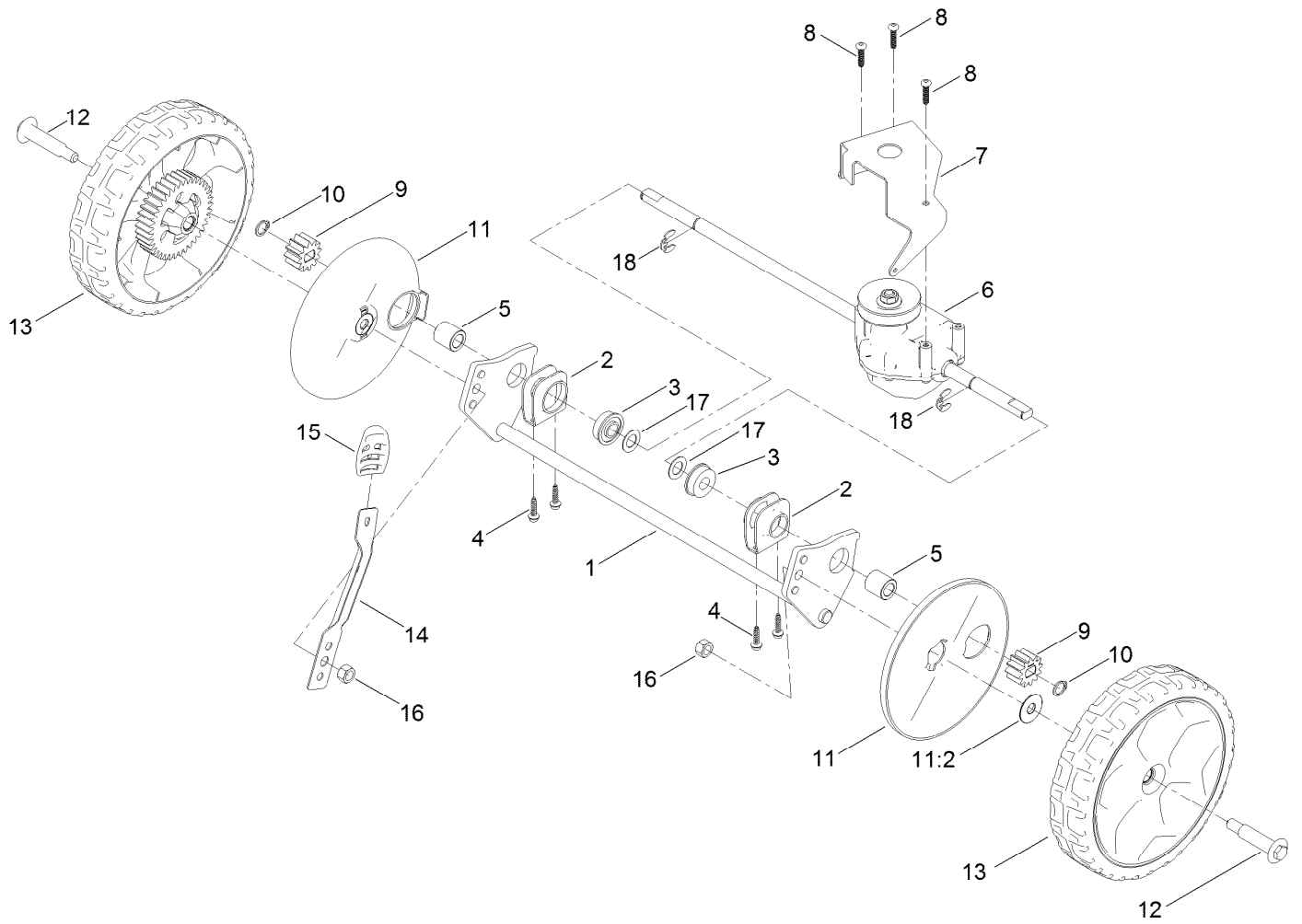
# Front Wheel and Height-of-Cut Assembly



## Front Wheel and Height-of-Cut Assembly (continued)

<i>Ref.</i>	<i>Part Number</i>	<i>Qty.</i>	<i>Description</i>	<i>Ref.</i>	<i>Part Number</i>	<i>Qty.</i>	<i>Description</i>
1	127-0668-03	1	Axle-Front	7	92-1057	2	Bolt-Shoulder
2	127-6800	1	Stop-Axle	8	127-0683	2	7 Inch Wheel ASM
3	127-6831	1	Screw-HWH	9	603773	2	Locknut
5	105-3042	1	Knob-Lever, HOC	11	133-8154	1	Arm-Spring
6	40-1940	2	Washer				

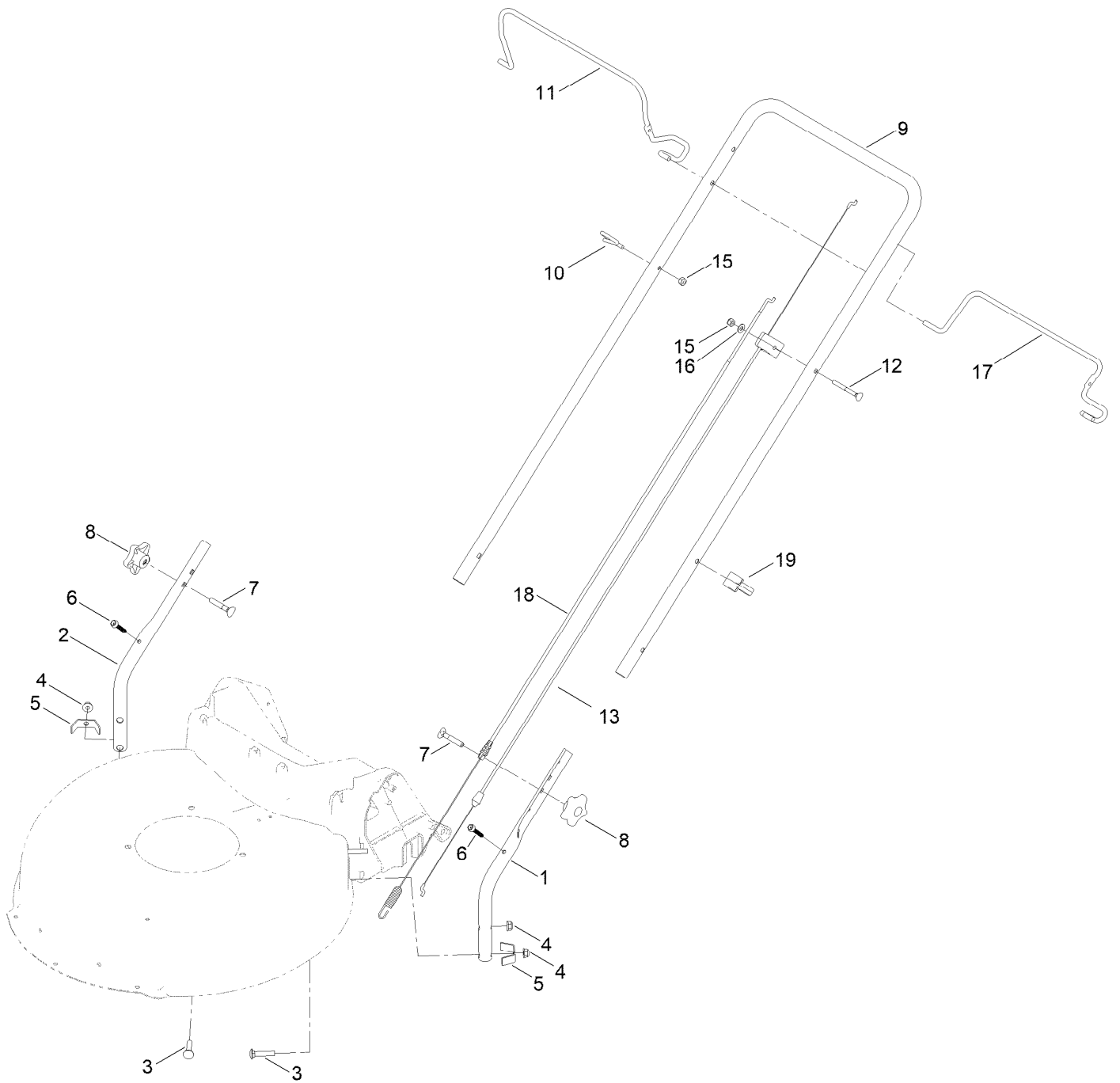
# Rear Wheel and Height-of-Cut Assembly



## Rear Wheel and Height-of-Cut Assembly (continued)

<i>Ref.</i>	<i>Part Number</i>	<i>Qty.</i>	<i>Description</i>	<i>Ref.</i>	<i>Part Number</i>	<i>Qty.</i>	<i>Description</i>
1	127-0708-03	1	Axle-Rear	11	127-6840	2	Wheel Cover ASM
2	138-3234	2	Retainer-Bearing	11:2	614426	1	Washer-Stepped
3	104-8699	2	Bearing-Ball	12	92-1057	2	Bolt-Shoulder
4	127-6831	4	Screw-HWH	13	127-0692	2	8 Inch Wheel Gear ASM
5	127-6896	2	Bushing-Sleeve	14	127-0711	1	Arm-Spring
6	131-0881	1	Transmission	15	105-3042	1	Knob-Lever, HOC
7	114-7977-03	1	Bracket-Transmission	16	603773	2	Locknut
8	108-7476	3	Screw-Plastite	17	36-4780	2	Washer-Plain
9	115-4668	2	Gear-Pinion	18	65-2720	2	Ring-Retaining, Clip
10	32151-61	2	Ring-Retaining				

# Handle Assembly



## Handle Assembly (continued)

<i>Ref.</i>	<i>Part Number</i>	<i>Qty.</i>	<i>Description</i>	<i>Ref.</i>	<i>Part Number</i>	<i>Qty.</i>	<i>Description</i>
1	136-5923-05	1	Handle-Lower, LH	10	86-9671	1	Guide-Rope
2	136-5924-05	1	Handle-Lower, RH	11	138-3268-03	1	Bail-Brake
3	130-6654	4	Bolt-CARR	12	92-2270	1	Screw-Handle
4	130-6655	4	Nut-Flange, NI	13	112-8818	1	Cable-Brake
5	127-0699	2	Bracket-Chute	15	3296-73	2	Nut-Lock, NI
6	130-6659	2	Screw-Flange, Serrated	16	3256-1	1	Washer-Flat
7	92-2260	2	Screw-Handle	17	127-0719-03	1	Bail-Traction
8	117-5976	2	Knob-Handle	18	127-0733	1	Cable-Traction
9	140-3915-05	1	Handle-Upper	19	114-7988	1	Guide-Cable

# Attachments and Accessories

## For 17752 21in Mulching/Rear Bagging Lawn Mower

<b>Product Name</b>	<b>Model/Part</b>
21in Lawn-Boy Replacement Bag.....	89500
21in Lawn-Boy Bag and Frame Kit .....	89501
Side-Discharge Deflector, 2013 and After 21in Steel Deck Mower .....	136-7060
21in Blade.....	89914P
Lawn-Boy Premium Fuel Treatment .5 Oz .....	130-6653
Lawn Striping Kit with 22in Roller.....	20601
Lawn-Boy WPM Cover .....	215326
Lawn-Boy Oil .....	89885
Lawn-Boy Paint .....	110-8800



**Notes:**

**Notes:**

**Notes:**

