

# LAWN-BOY®

## 320R, 320E

### Snowthrower

Model No. 28220-00000001 and Up

Model No. 28220-20000001 and Up

Model No. 28222-00000001 and Up

Model No. 28222-20000001 and Up

## Parts Catalog

### Ordering Replacement Parts

To order replacement parts, please supply: the part number, the quantity, and the description of each part desired.

### Understanding Reference Numbers

Each identified part in an illustration has a reference number. The reference number for a part also appears in the parts list, along with other information about the part.

This catalog uses two special reference number formats, one to indicate parts in a service assembly and another to indicate the quantity of a given part in an illustration.

### Service Assembly Reference Numbers

Parts in service assemblies have reference numbers in the form **a:b**. The **a** represents the reference number of the entire service assembly and the **b** represents a sequential number unique to each part within the service assembly.

For example, a wheel assembly might be identified by reference number **6**, the tire by **6:1**, the valve by **6:2**, and the wheel by **6:3**. When you order the assembly identified by reference number **6**, you receive all parts identified by reference numbers **6:1**, **6:2**, and **6:3**. However, you may also order any part individually.

Reference numbers of this type appear in illustrations and in part lists.

### Reference Numbers Indicating Quantity

In an illustration, if a reference number indicates more than one part, the reference number has the form **nX y**. The **n** represents the quantity of the part, the **X** is the multiplication symbol, and the **y** represents the reference number.

For example, in an illustration, the reference number **2X 37** means that two of the parts identified by reference number **37** are indicated.

## Contents

Description	Page	Description	Page
Deflector & Control Panel Assembly .....	3	Rotor Assembly .....	10
Deflector & Control Panel Assembly (cont.) .....	4	Carburetor No. 640086 .....	11
Housing & Side Plate Assembly .....	5	Engine Tecumseh	
Engine & Gas Tank Assembly .....	6	Model No. HSK-600-1681T .....	12
Engine & Gas Tank Assembly (cont.) .....	7	Engine Tecumseh	
Motor & Switch Housing Assembly (120 Volt)		Model No. HSK-600-1681T (cont.) .....	13
(Model No. 28222 Only) .....	8	Recoil Starter No. 590743 .....	14
Handle Assembly .....	9	Maintenance .....	15

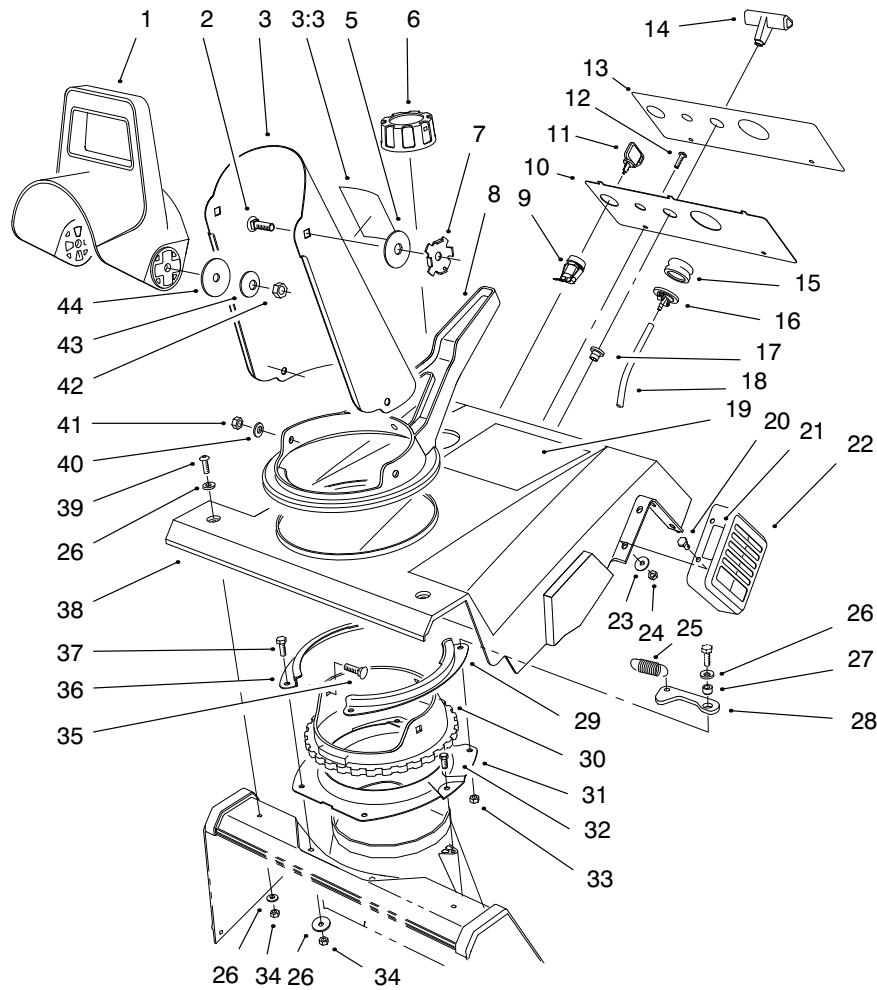
## Accessories

Description	Model / Part No.	Description	Model / Part No.
-------------	------------------	-------------	------------------

## Part Description Abbreviations

Part descriptions in this catalog may include the following abbreviations.

Abbreviation	Meaning	Abbreviation	Meaning
AR .....	as required	INC .....	incorporated
ASM .....	assembly	LH .....	left hand
CARR .....	carriage	NI .....	nylon insert
DEG .....	degrees	PPH .....	Phillips pan head
FH .....	flat head	PTH .....	Phillips truss head
GA .....	gauge	PTO .....	power take off
HF .....	hex flange	RH .....	right hand
HH .....	hex head	SFH .....	slotted fillister head
HHF .....	hex head flange	SHH .....	slotted hex head
HLH .....	hex lag head	SQH .....	square head
HJ .....	hex jam	SHWH .....	slotted hex washer head
HOC .....	height-of-cut	SPH .....	slotted pan head
HS .....	hex socket	SRH .....	slotted round head
HSBH .....	hex socket button head	STD .....	standard
HSFH .....	hex socket flat head	TAP .....	self tapping
HSH .....	hex socket head	TTH .....	Torx truss head
HWH .....	hex washer head	WH .....	wing head
HWHTF .....	hex washer head thread forming		



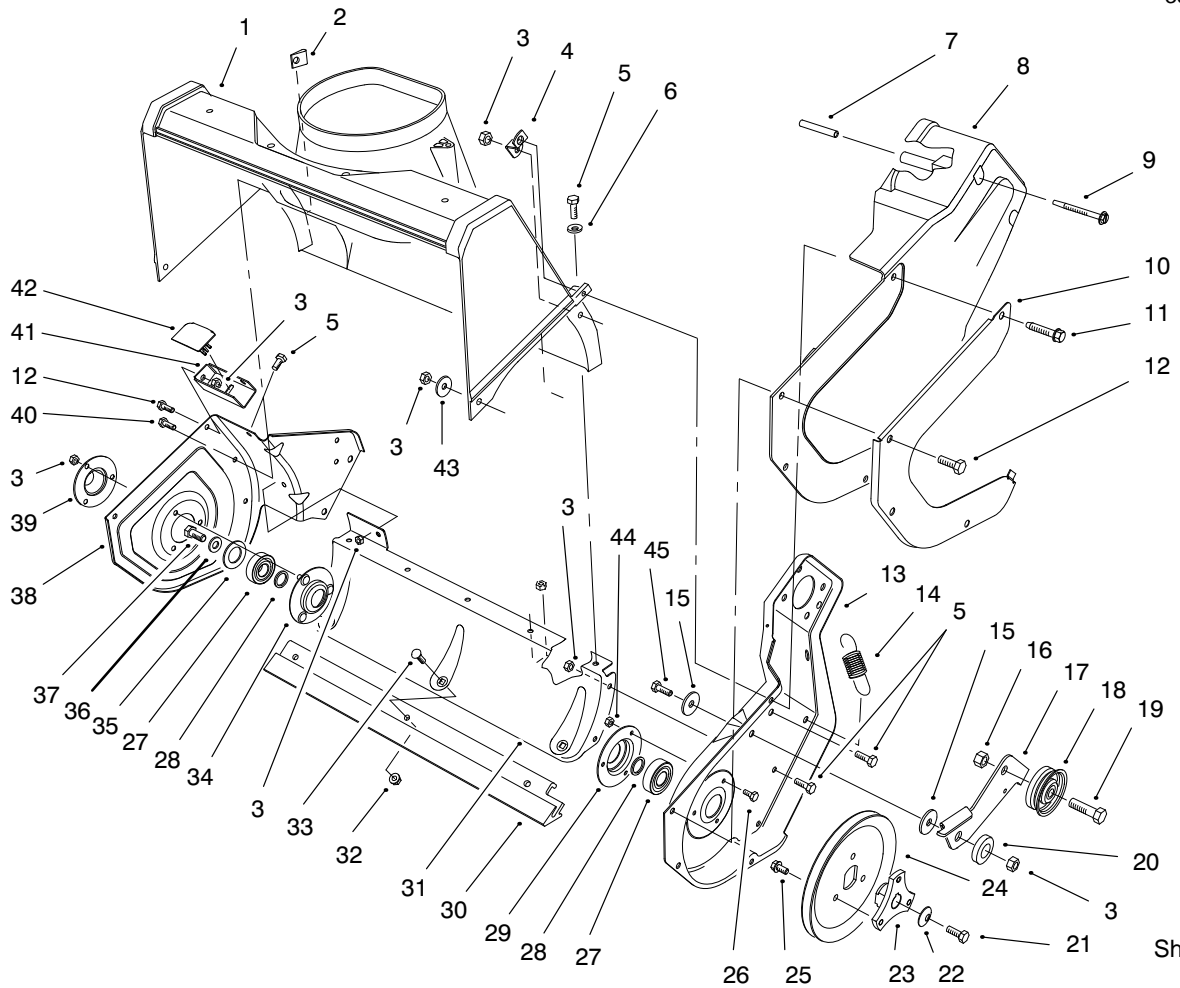
Sheet No.:2

## Deflector & Control Panel Assembly

Ref. No.	Part No.	Qty.	Description
1	56-2680	1	Chute-Deflector
2	3230-22	2	Screw-CARR
3	94-2790	1	ASM - Chute w/Decal
3:3	94-2900	1	Decal - Danger Discharge
5	20-4320	2	Washer-Rubber
6	55-3573	1	ASM-Gas Cap
7	55-8950	2	Plate-Friction
8	71-4940	1	Chute - Handle
9	40-5940	1	On-Off Switch
10	71-5240-03	1	Control Panel (only on: 28220)
10	71-5241-03	1	Control Panel (only on: 28222)
11	700918	1	Key
12	32144-53	2	Screw-Self TAP
13	95-2666	1	Decal - Control Panel (only on: 28222)
13	95-2665	1	Decal - Control Panel (only on: 28220)
14	92-4853	1	Handle-Starter
15	66-7460	1	Bulb-Primer
16	44-2750	1	Body-Primer
17	23-7470	1	Starter Rope Guide
18	44-3173	1	Primer Hose

Ref. No.	Part No.	Qty.	Description
19	94-9878	1	Decal - 320 Recoil (only on: 28220)
19	94-9879	1	Decal - 320 Electric (only on: 28222)
20	3290-359	4	Screw-HWH
21	95-1904	1	Decal - Hot
22	71-5340-03	1	Muffler Guard
23	3256-61	4	Washer-Flat
24	3296-2	4	Nut-Lock Ni
25	80-4600	1	Spring - Detent
26	3256-22	7	Washer-Flat
27	55-9370	1	Rotor Bld Spacer
28	80-4610	1	Detent
29	71-4980-03	1	LH Chute Ring Retr
30	71-4950	1	Gear Ring, Chute
31	55-8921-03	1	Chute Supt Ring
32	46-8092	2	Plastite Screw
33	3296-56	1	Nut-Lock Ni
34	3296-42	5	Nut-Lock Ni
35	3230-16	3	Screw-HH
36	71-4990-03	1	RH Chute Ring Retr
37	321-4	4	Screw-HH
38	94-8888	1	Upper Shroud
39	3250-32	2	Screw-PPH
40	3256-70	3	Washer-Flat
41	32149-1	3	Nut-Keps



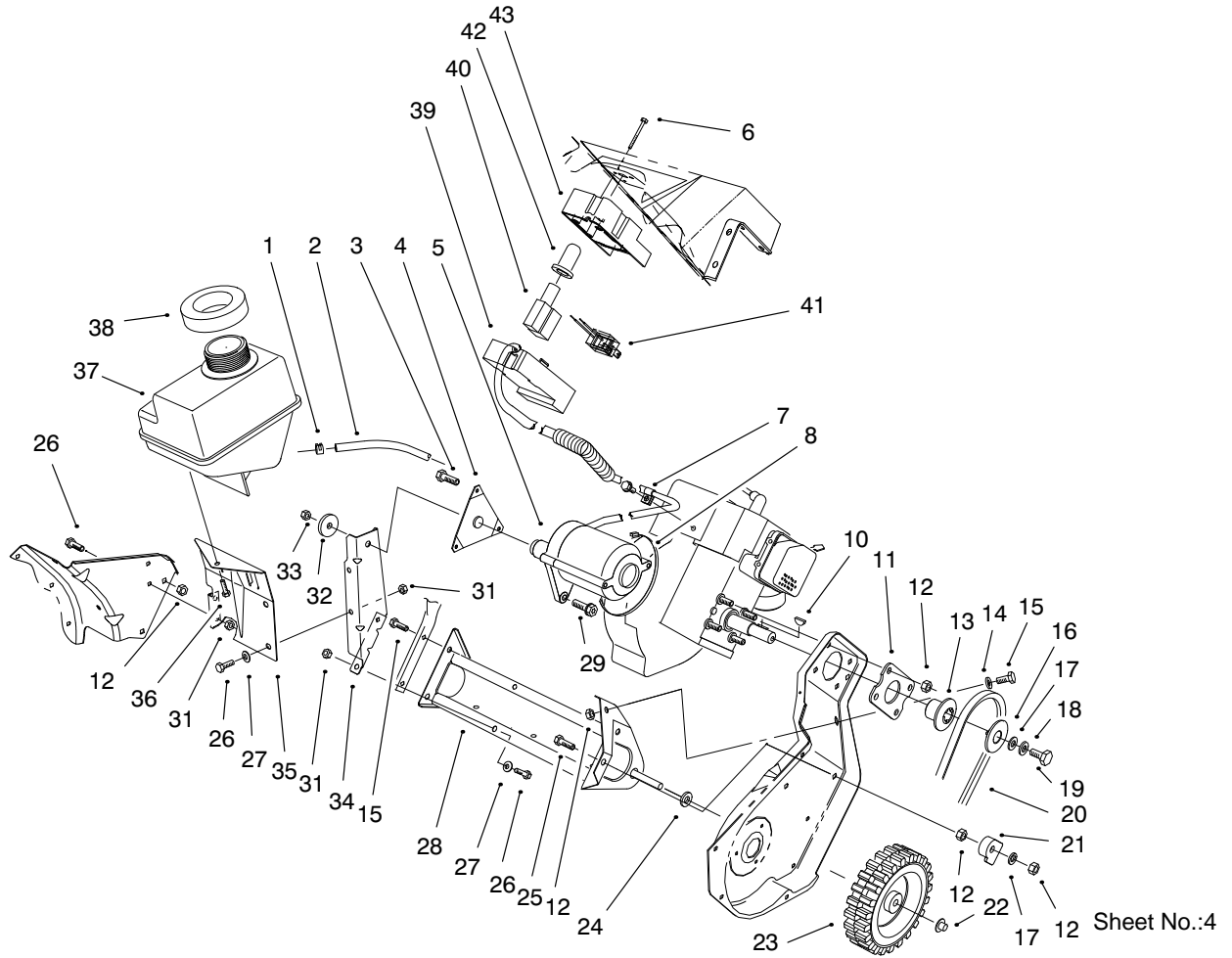


Sheet No.:3

## Housing & Side Plate Assembly

Ref. No.	Part No.	Qty.	Description
1	55-8700	1	Housing
2	32115-14	1	Speed Nut
3	3296-42	21	Nut-Lock Ni
4	55-9430	1	Hsg Brkt
5	321-4	10	Screw-HH
6	3256-22	5	Washer-Flat
7	57-3830	2	Tubular Spacer
8	71-5030	1	Drive Cover
9	71-5350	2	Thread Forming Screw
10	71-5150-03	1	Edge Guard
11	36-3860	1	Spec Screw
12	32105-15	7	Screw-Machine
13	71-4911-03	1	Left Sideplate
14	71-5470	1	Brake Spring
15	3256-55	2	Washer-Flat
16	3296-39	1	Nut-Lock Ni
17	71-5160	1	Brake Arm Idler
18	71-5260	1	Idler Pulley
19	323-44	1	Screw-HH
20	80-4620	1	Spacer
21	321-30	1	Screw-HH
22	3290-456	1	Washer-Belleville
23	71-5070	1	Hub - Mtg, Pulley
24	71-5410	1	Rotor Pulley
25	12-3270	3	Screw
26	32105-8	3	Screw

Ref. No.	Part No.	Qty.	Description
27	38-7820	2	Bearing-Ball
28	52-7280	2	Thrust Washer
29	38-8620	1	Bearing Flange
30	71-5390	1	Scraper
31	71-4930-03	1	Lower Housing
32	32128-10	3	Flange Locknut
33	3229-11	3	Screw-CARR
34	52-9110	1	Brg Flange Wa
35	52-7270	1	Rubber Washer
36	3256-24	1	Washer-Flat
37	3234-25	1	Flange Bolt
38	71-4920-03	1	RH Sideplate
39	52-7290-03	1	Brg Retainer
40	321-39	1	Screw-HH
41	71-5310-03	1	Sideplate Brkt Supt
42	71-5270	1	Bracket Cover
43	3256-67	2	Washer-Flat
44	3296-2	3	Nut-Lock Ni
45	321-6	1	Screw-HH

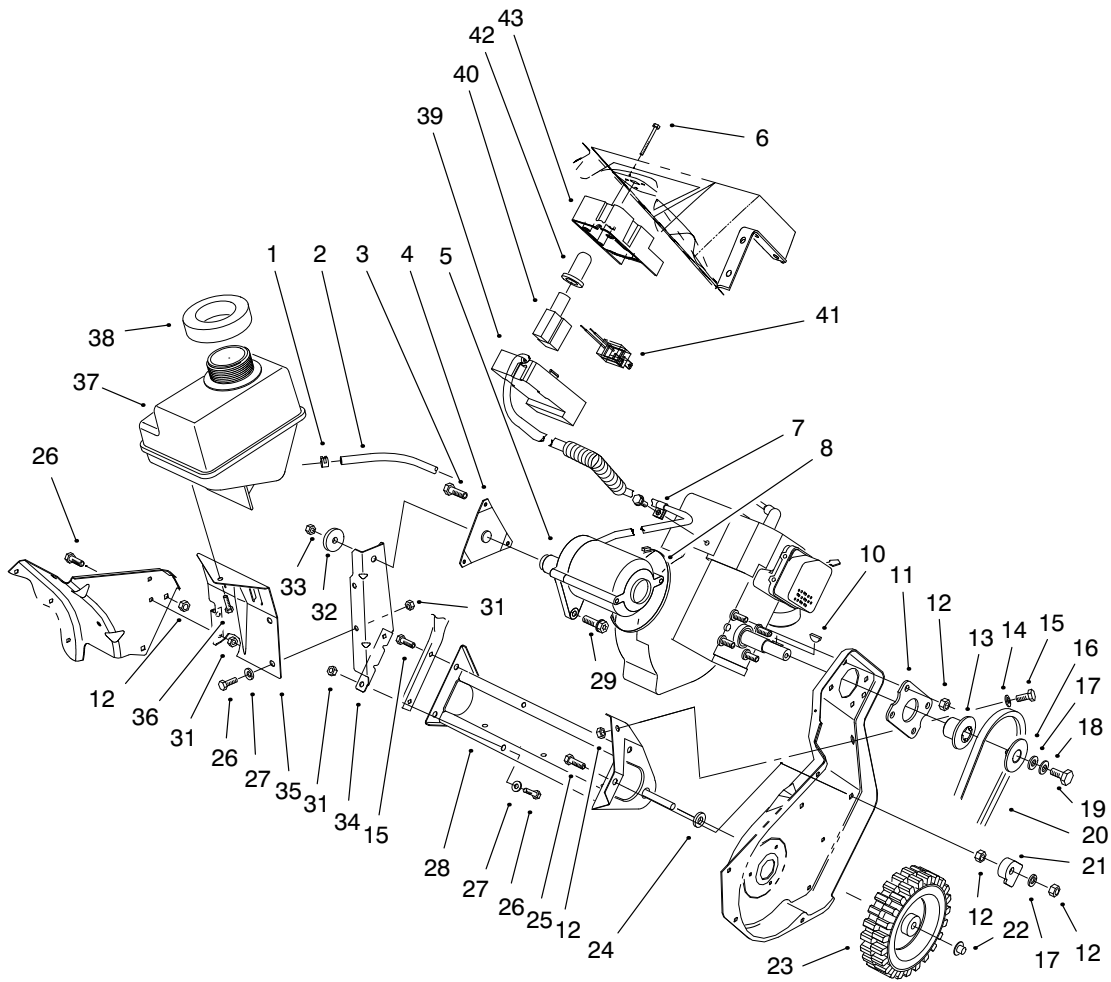


Sheet No.:4

## Engine & Gas Tank Assembly

Ref. No.	Part No.	Qty.	Description
1	2412-98	2	Clamp
2	49-2482	1	Gas Line
3	3255-10	1	Washer-Lock/Ext
3	92-6031	1	Screw
4	92-6012	1	Bracket/Stud ASM
5	77-0402	1	Starter Motor ASM [120 Volt] (only on: 28222)
6	32144-27	3	Screw-Plastite (only on: 28222)
7	2412-91	1	Clamp R (only on: 28222)
8	250-7	1	Tie-Cable
10	3257-3	1	Key-Woodruff
11	71-5290-03	1	Engine Plate
12	3296-29	8	Nut-Lock Ni
13	71-5050	1	Hub - Half Sheave
14	3256-23	1	Washer-Flat
15	322-3	3	Screw-HH
16	71-5060	1	Cap - Half Sheave
17	3256-71	2	Washer-Flat
18	3290-456	1	Washer-Belleville
19	3235-6	1	Screw-Hex Hd Cs
20	71-5381	1	Drive V-Belt
21	84-5610	1	Guide-Cable
22	3290-320	2	Retainer-Push On

Ref. No.	Part No.	Qty.	Description
23	23-3250	2	Wheel
24	71-5440	2	Wheel Spacer
25	322-5	1	Screw-HH
26	321-4	6	Screw-HH
27	3256-22	4	Washer-Flat
28	71-5200-03	1	Frame Wa
29	80-0700	2	Screw - Mtg Torx (only on: 28222)
31	3296-42	6	Nut-Lock Ni
32	71-5320	1	Engine Support Washer
33	3296-16	1	Nut-Lock Ni
34	71-5210-03	1	Engine Support
35	71-5220-03	1	Tank Bracket
36	32144-53	1	Screw-Self TAP
37	71-5020	1	Fuel Tank
38	55-9310	1	Foam Seal
39	100-3441	1	Base Housing Switch (only on: 28222)
40	61-4820	1	Switch, Starter (only on: 28222)
41	94-9933	1	Power Plug (only on: 28222)
42	61-4810	1	Boot, Switch (only on: 28222)



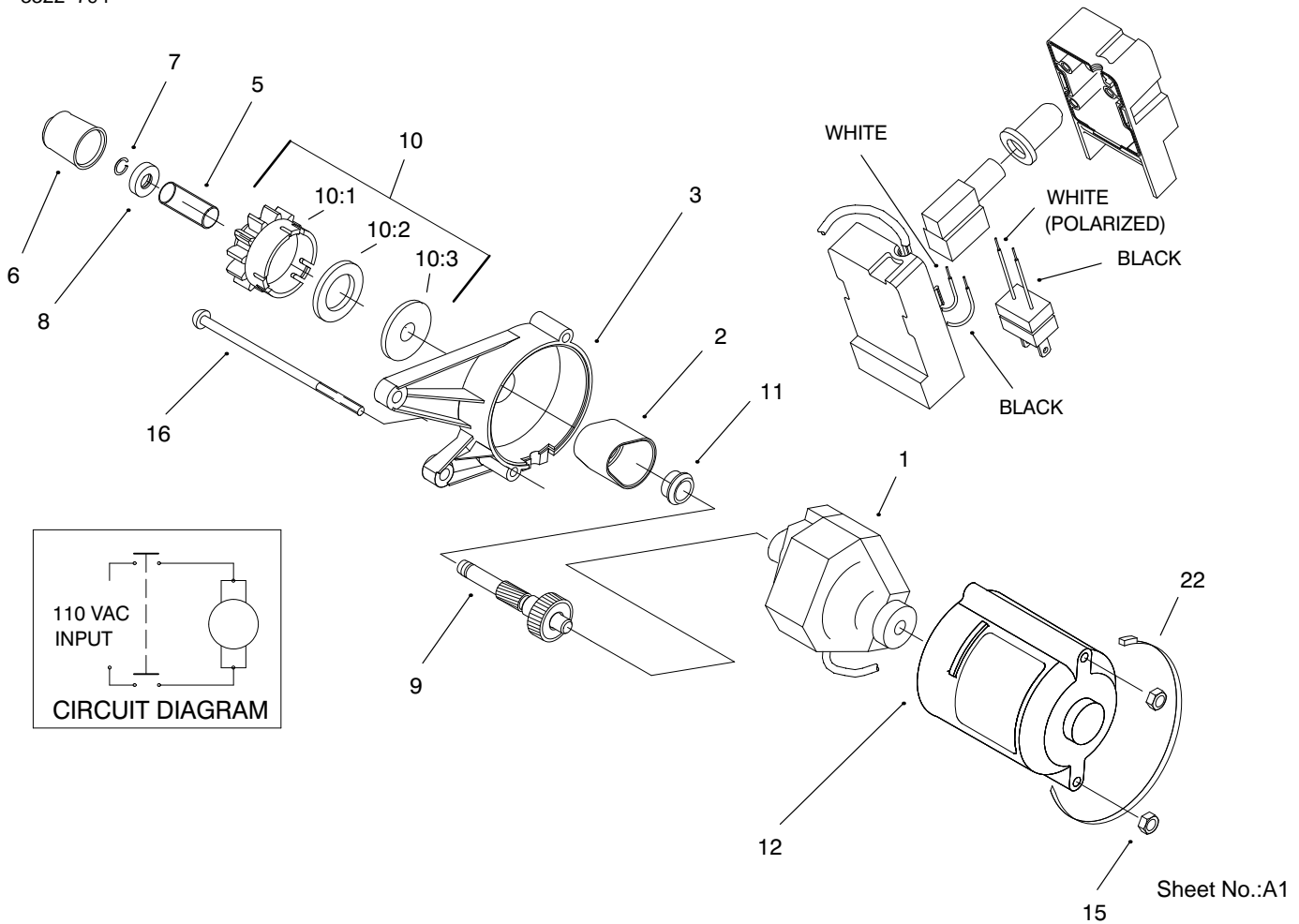
Sheet No.:4

## Engine & Gas Tank Assembly (cont.)

Ref. No.	Part No.	Qty.	Description
43	100-3442	1	Cap Housing Switch (only on: 28222)
*99	28-9170	1	Cord (only on: 28222)

Ref. No.	Part No.	Qty.	Description

\* Not illustrated

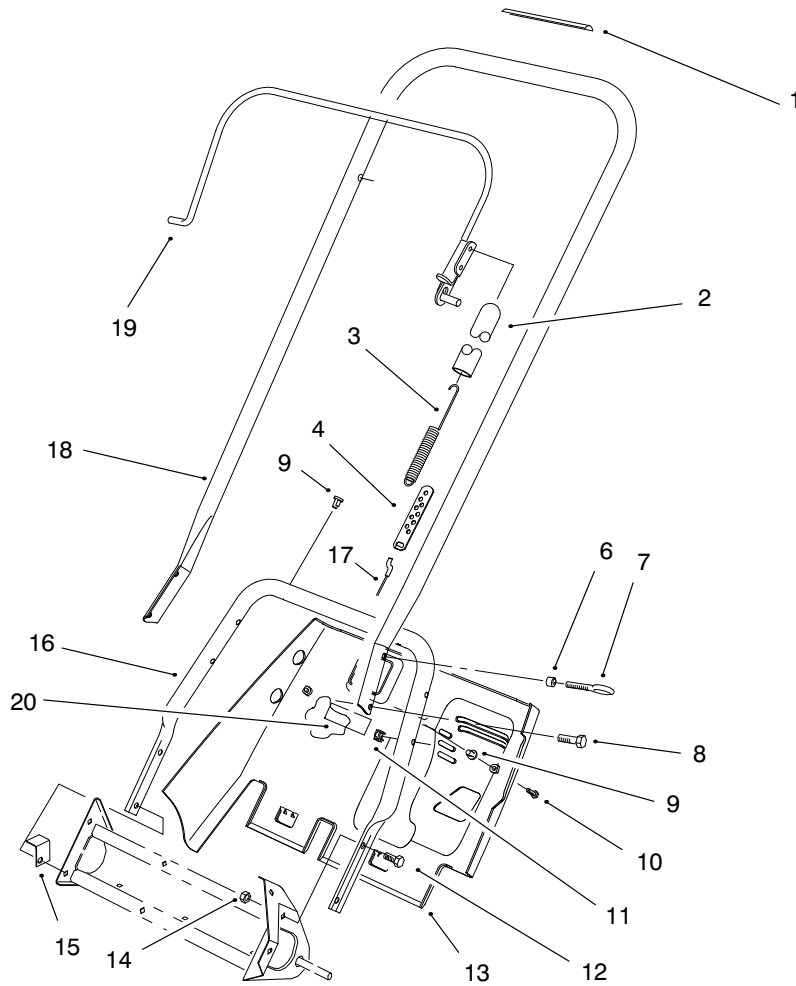


## Motor & Switch Housing Assembly (120 Volt) (Model No. 28222 Only)

Ref. No.	Part No.	Qty.	Description
1	70-7802	1	Starter Motor Assembly (only on: 28222)
2	70-7850	1	Gear Cover (only on: 28222)
3	100-3443	1	Housing Upper Starter (only on: 28222)
5	61-4690	1	Spring (only on: 28222)
6	70-7890	1	Cap Pinion (only on: 28222)
7	61-4680	1	Lock Ring (only on: 28222)
8	100-2902	1	Pinion Stop (only on: 28222)
9	92-6003	1	Shaft/Gear ASM-Service (only on: 28222)
10	84-5240	1	Pinion ASM (R & S) (only on: 28222)
10:1	70-7790	1	Nut (only on: 28222)
10:2	84-5230	1	Pinion (only on: 28222)

Ref. No.	Part No.	Qty.	Description
10:3	84-5440	1	Ring - Rubber (only on: 28222)
11	70-7900	1	Bushing (only on: 28222)
12	100-3444	1	Housing Lower Starter (only on: 28222)
15	3296-2	2	Nut-Lock Ni (only on: 28222)
16	32144-101	2	Screw-Mach (only on: 28222)
22	250-7	1	Cable Tie (only on: 28222)

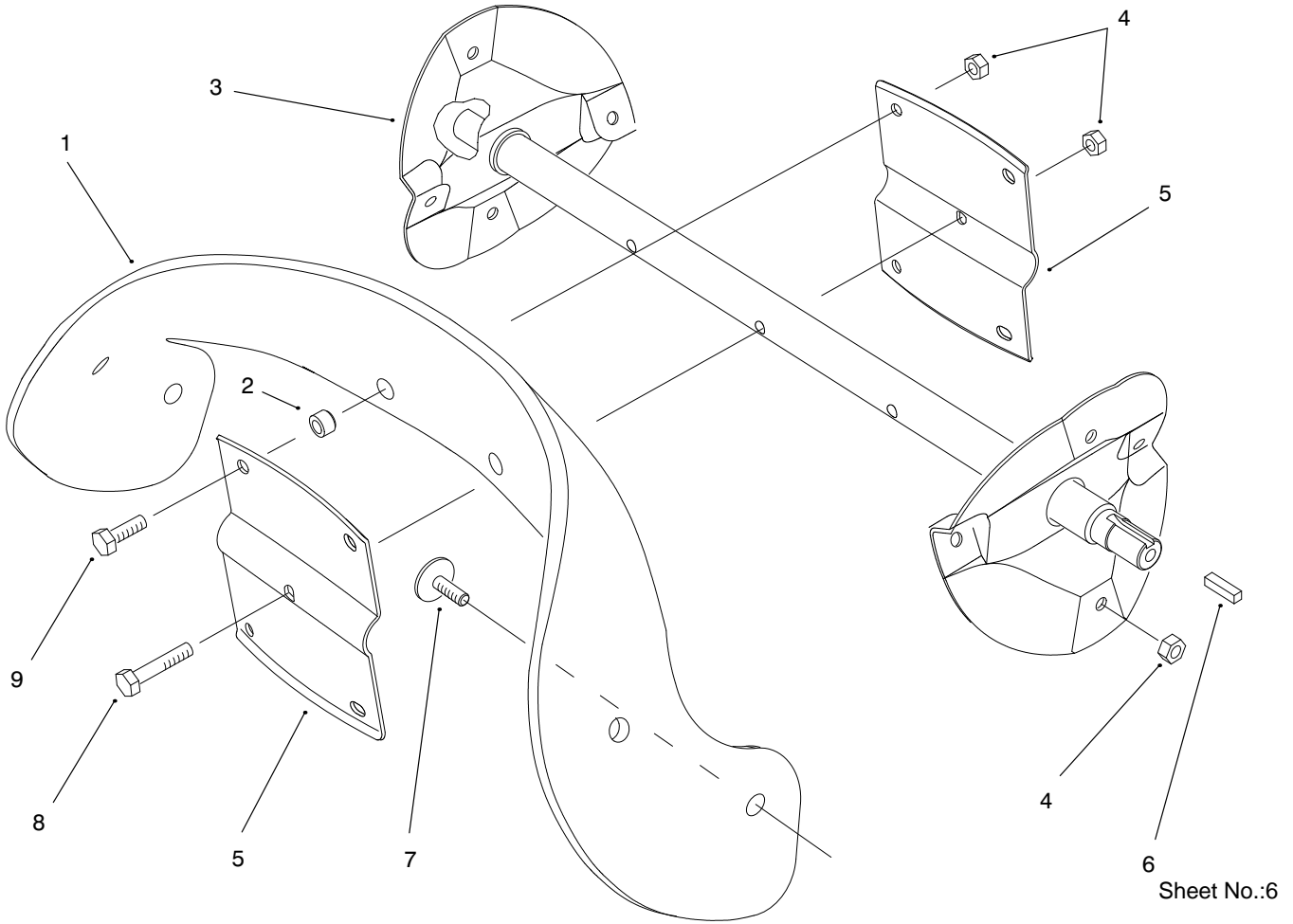




Sheet No.:5

### Handle Assembly

Ref. No.	Part No.	Qty.	Description	Ref. No.	Part No.	Qty.	Description
1	66-6870	1	Decal - Rotor Drive				
2	71-5530	1	Spring Cover				
3	71-5480	1	Clutch Spring				
4	71-5330	1	Clutch Cable Adjuster				
6	55-9370	1	Rotor Bld Spacer				
7	3299-1	1	Eyebolt				
8	32105-11	3	Screw-Hex Hd Slot				
9	3290-486	5	Expansion Type Fastener				
10	32144-53	3	Screw-Self TAP				
11	3290-225	4	Tinnerman Nut				
12	322-3	2	Screw-HH				
13	94-8889	1	Lower Shroud				
14	3296-29	2	Nut-Lock Ni				
15	71-5600	1	Shroud Bracket				
16	71-5370-03	1	Lower Handle Tube				
17	55-9322	1	Clutch Cable				
18	71-5090-03	1	Handle-Upper				
19	71-5120-03	1	Bail Wa				
20	61-4790	1	Decal (only on: 28222)				

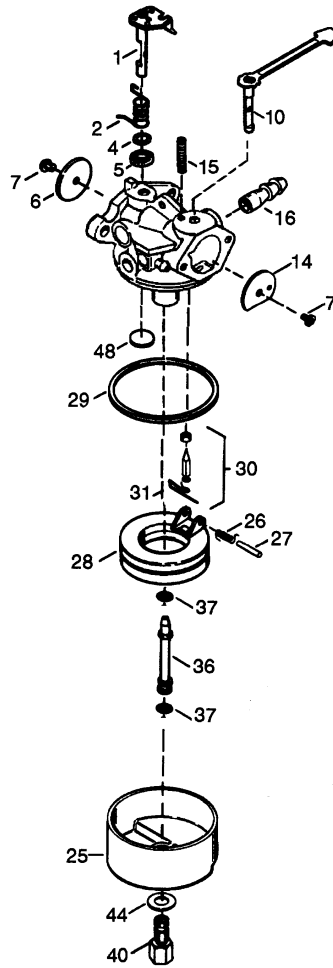


Sheet No.:6

### Rotor Assembly

Ref. No.	Part No.	Qty.	Description
1	88-0781	2	Rotor Blade (Ccr 1000)
2	55-9370	4	Rotor Bld Spacer
3	55-9202-03	1	Rotor Wa
4	3296-56	13	Nut-Lock Ni
5	66-6600-03	2	Rotor Half
6	10-8040	1	Key-Square
7	84-1971	8	Screw-Csunk Oval
8	321-8	1	Screw-HH
9	321-4	4	Screw-HH

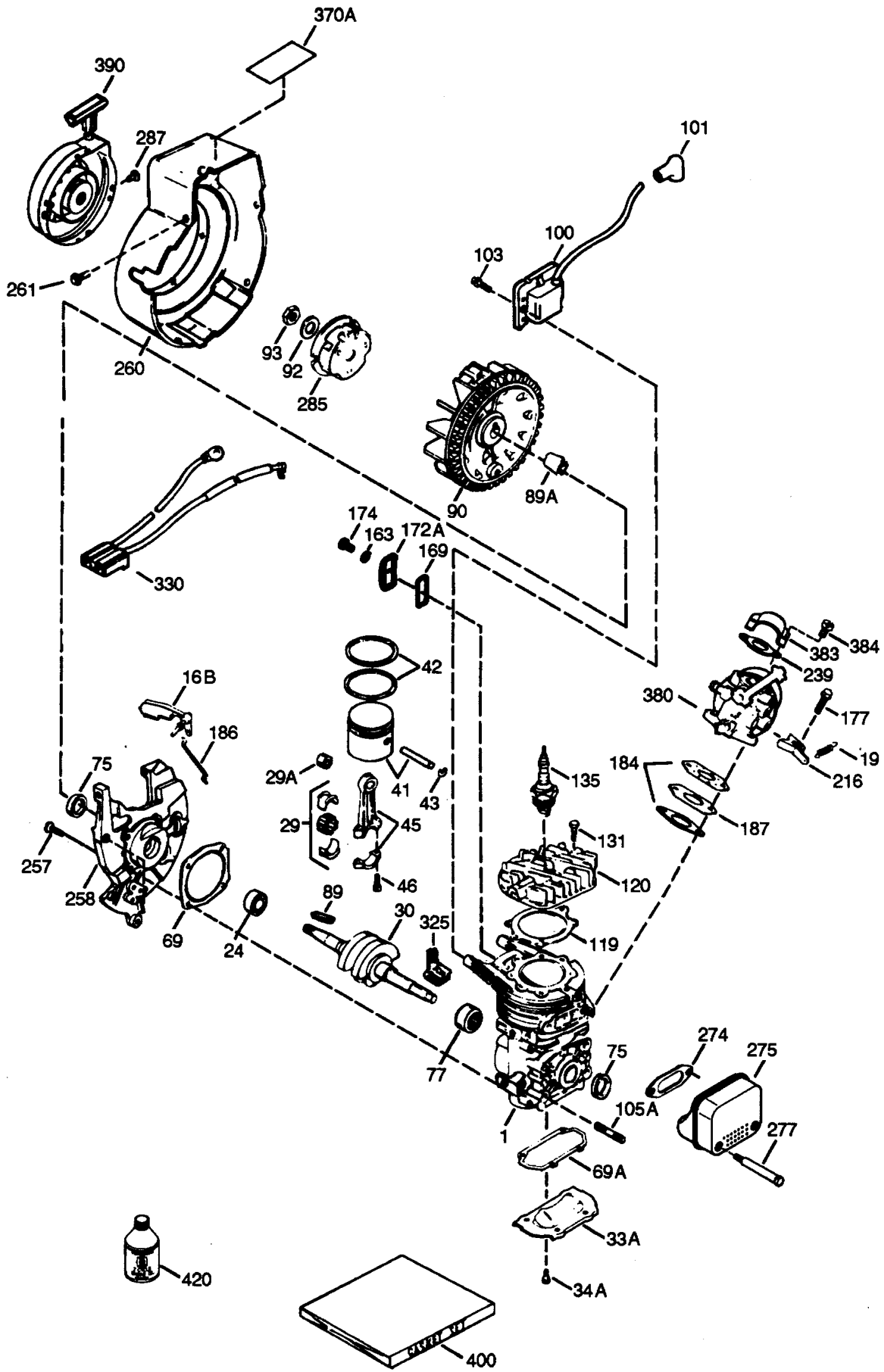
Ref. No.	Part No.	Qty.	Description



## CARBURETOR NO. 640086

Ref. No.	Part No.	Description	No. Used	Ref. No.	Part No.	Description	No. Used
1	632166A	Throttle Shaft & Lever Asm.	1	27	631024	Float shaft	1
2	632169	Throttle Return Spring	1	28	632019	Float	1
4	631184	Dust Seat Washer	1	29	631028	Float Bowl "O" Ring	1
5	631183	Dust Seat (Throttle)	1	30	631021	Inlet Needle, Seat & Clip (Incl. Ref. #31)	1
6	631621	Throttle Shutter	1	31	631022	Spring Clip	1
7	650506	Shutter Screw	2	36	640080	Main Nozzle Tube	1
10	632553	Choke Shaft & Lever Asm.	1	37	632547	"O" Ring, Main Nozzle Tube	1
14	631815	Choke Shutter	1	40	640087	High Speed Bowl Nut	1
15	630735	Choke Positioning Spring	1	44	27110	Bowl Nut Washer	1
16	632164	Fuel Fitting	1	48	631027	Welch Plug	1
25	631700	Float Bowl	1				
26	632386	Float Dampening Spring	1				

# ENGINE TECUMSEH MODEL NO. HSK600-1681T

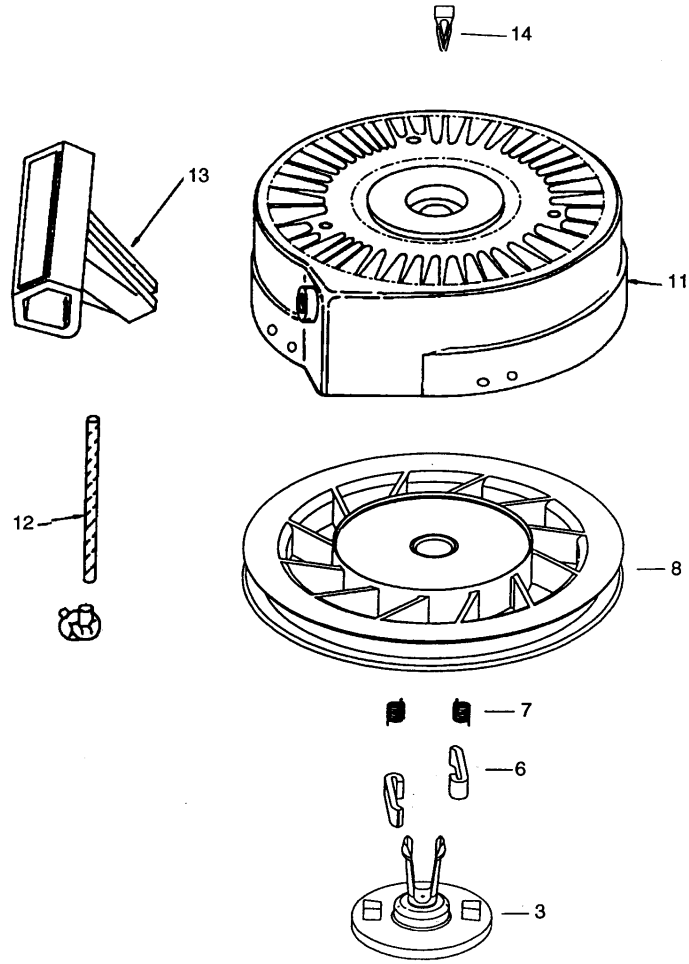


# ENGINE TECUMSEH MODEL NO. HSK600-1681T

Ref. No.	Part No.	Description	No. Used
1		Cylinder (Order Short Block if Replacement is needed)	1
16B	490291A	Air Vane	1
19	570707	Extension Spring	1
24	530110	Ball Bearing	1
29	530150	Needle Bearing & Liner Set (37 Needles)	1
29A	530104A	Cartridge Bearing	1
30	290602	Crankshaft	1
33A	570644	Cover Plate	1
34A	650579	Screw, Torx T-25	4
41	310283A	Piston & Pin Assembly	1
42	310190	Ring Set	2
43	310167	Piston Pin Retaining Ring	2
45	310235B	Connecting Rod Assembly (Incl. Ref. #29, 29A, & 46)	1
46	650633	Connecting Rod Bolt	4
*69	510292A	Cylinder Cover Gasket	1
*69A	510323A	Cover Plate Gasket	1
75	510319	Oil Seal	2
77	530105	Cartridge Bearing	1
89A	611032	Adapter Sleeve	1
90	611066	Flywheel	1
92	650815	Belleville Washer	1
93	650390	Flywheel Nutt	1
100	34443A	Solid State Ignition (Incl. Ref. #101)	1
101	610118	Spark Plug Cover	1
103	651007	Screw, Torx T-15	2
105A	650796	Stud	4
*119	510274A	Cylinder Head Gasket	1
120	250240B	Cylinder Head	1
131	650477	Screw, Torx T-30	5

Ref. No.	Part No.	Description	No. Used
135	611049	Resistor Spark Plug	1
163	650838	Washer	1
*169	510325A	Cover Plate Gasket	1
172A	570708	Compression Release Cover	1
174	650579	Screw, Torx T-25	1
177	650959	Screw	2
*184	510326A	Carburetor Gasket	2
186	490322	Governor Link	1
187	570438A	Spacer	1
216	570645	R.P.M. Adjusting Lever	1
239	35815	Air Cleaner Gasket	1
257	650911	Screw, Torx T-30	4
258	350422	Blower Housing Base (Incl. Ref. #27)	1
260	350437	Blower Housing	1
261	650737	Screw	4
*274	510346A	Exhaust Gasket	1
275	390330	Muffler (Incl. Ref. #274 & 277)	1
277	650869	Screw	2
285	590551A	Starter Cup	1
287	650926	Screw	3
325	29443	Wire Clip	1
330	611153	Wire Harness	1
370A	36261	Instruction Decal	1
380	640086	Carburetor (Incl. Ref. #184)	1
383	570434	Spit Cup	1
384	650431	Screw, Torx T-25	2
390	590743	Rewind Starter	
400	510324B	Gasket Set	1
420	730227A	2-Cycle Oil (8 oz.)	1

\*Included in Gasket Set No. 510324B



### RECOIL STARTER NO. 590743

Ref. No.	Part No.	Description	No. Used	Ref. No.	Part No.	Description	No. Used
0	590743	Rewind Starter	1	11	590643	Starter Housing Ass'y	1
3	590740	Retainer	1	12	590535	Starter Rope (Length 98" x 9/64" Dia.)	1
6	590616	Starter Dog	2	13	590701	Starter Handle	1
7	590617	Dog Spring	2	14	590741	Locking Tab	1
8	590645A	Pulley & Rewind Spring Ass'y	1				

## Maintenance Record

Date								

**LAWN-BOY®**