



EN 21in Mulching/Rear Bagging Lawn Mower

10736, 10736HD

ES Cortacésped de mulching/ensacado trasero de 51 cm (21")

10736, 10736HD

FR Tondeuse déchiqueteuse/à bac arrière de 53 cm (21 pouces)

10736, 10736HD





21in Mulching/Rear Bagging Lawn Mower

Model No. 10736—Serial No. 403400000 and Up

Model No. 10736HD—Serial No. 404320000 and Up

Operator's Manual

Introduction

This rotary-blade, walk-behind lawn mower is intended to be used by residential homeowners. It is designed primarily for cutting grass on well-maintained lawns on residential properties. Using this product for purposes other than its intended use could prove dangerous to you and bystanders.

Read this information carefully to learn how to operate and maintain your product properly and to avoid injury and product damage. You are responsible for operating the product properly and safely.

Visit www.Lawn-Boy.com for more information, including safety tips, training materials, accessory information, help finding a dealer, or to register your product.

Whenever you need service, genuine Lawn-Boy parts, or additional information, contact an Authorized Service Dealer or Lawn-Boy Customer Service and have the model and serial numbers of your product ready. **Figure 1** identifies the location of the model and serial numbers on the product. Write the numbers in the space provided.

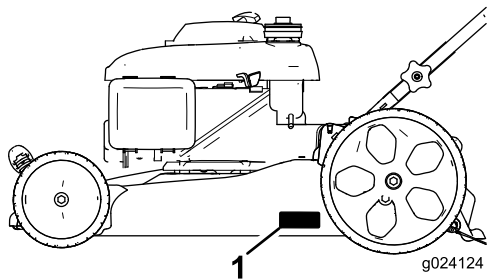


Figure 1

- 1. Model and serial number location

Model No. _____
Serial No. _____

This manual identifies potential hazards and has safety messages identified by the safety-alert symbol (**Figure 2**), which signals a hazard that may cause

serious injury or death if you do not follow the recommended precautions.



Figure 2

Safety-alert symbol

g000502

This manual uses 2 words to highlight information. **Important** calls attention to special mechanical information and **Note** emphasizes general information worthy of special attention.

To avoid waste and help the environment, a side-discharge chute does not come with your purchase (most customers prefer to mulch or bag their grass clippings). You can request a side-discharge chute when you register your product at www.Lawn-Boy.com. Simply check the box in the online registration form and Lawn-Boy will send you a side-discharge chute at no additional charge. Please allow 1 to 2 weeks for delivery.

It is a violation of California Public Resource Code Section 4442 or 4443 to use or operate the engine on any forest-covered, brush-covered, or grass-covered land unless the engine is equipped with a spark arrester, as defined in Section 4442, maintained in effective working order or the engine is constructed, equipped, and maintained for the prevention of fire.

The enclosed engine owner's manual is supplied for information regarding the US Environmental Protection Agency (EPA) and the California Emission Control Regulation of emission systems, maintenance, and warranty. Replacements may be ordered through the engine manufacturer.

Gross or Net Torque: The gross or net torque of this engine was laboratory rated by the engine manufacturer in accordance with the Society of Automotive Engineers (SAE) J1940 or J2723. As configured to meet safety, emission, and operating requirements, the actual engine torque on this class of mower will be significantly lower. Please refer to



the engine manufacturer's information included with the machine.

Storage Safety.....	17
Preparing the Machine for Storage	17
Remove the Machine from Storage.....	18

⚠ WARNING

**CALIFORNIA
Proposition 65 Warning**

The engine exhaust from this product contains chemicals known to the State of California to cause cancer, birth defects, or other reproductive harm.

Use of this product may cause exposure to chemicals known to the State of California to cause cancer, birth defects, or other reproductive harm.

Safety

This machine has been designed in accordance with ANSI B71.1-2017.

General Safety

This product is capable of amputating hands and feet and of throwing objects. Always follow all safety instructions to avoid serious personal injury.

- Read, understand, and follow the instructions and warnings in this *Operator's Manual* and on the machine and attachments before starting the engine.
- Do not put your hands or feet near moving parts of or under the machine. Keep clear of any discharge opening.
- Do not operate the machine without all guards and other safety protective devices in place and functioning properly on the machine.
- Keep bystanders and children out of the operating area. Do not allow children to operate the machine. Allow only people who are responsible, trained, familiar with the instructions, and physically capable to operate the machine.
- Stop the machine, shut off the engine, and wait for all moving parts to stop before servicing, fueling, or unclogging the machine.

Improperly using or maintaining this machine can result in injury. To reduce the potential for injury, comply with these safety instructions and always pay attention to the safety-alert symbol **⚠**, which means Caution, Warning, or Danger—personal safety instruction. Failure to comply with these instructions may result in personal injury or death.

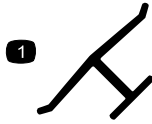
Contents

Introduction	1
Safety	2
General Safety	2
Safety and Instructional Decals	3
Setup	4
1 Attaching the Handle.....	4
2 Installing the Recoil-Starter Rope in the Rope Guide.....	4
3 Filling the Engine with Oil	5
4 Assembling the Grass Bag.....	5
Product Overview	7
Operation	8
Before Operation	8
Before Operation Safety	8
Filling the Fuel Tank.....	8
Checking the Engine-Oil Level.....	9
Adjusting the Cutting Height	10
During Operation	10
During Operation Safety	10
Starting the Engine	11
Shutting Off the Engine.....	11
Mulching the Clippings.....	11
Bagging the Clippings.....	11
Operating Tips	12
After Operation	13
After Operation Safety	13
Cleaning under the Machine	13
Folding the Handle	13
Maintenance	14
Recommended Maintenance Schedule(s)	14
Maintenance Safety.....	14
Preparing for Maintenance	14
Servicing the Air Filter.....	15
Changing the Engine Oil	15
Replacing the Blade.....	16
Storage	17

Safety and Instructional Decals



Safety decals and instructions are easily visible to the operator and are located near any area of potential danger. Replace any decal that is damaged or missing.



decaloemmark

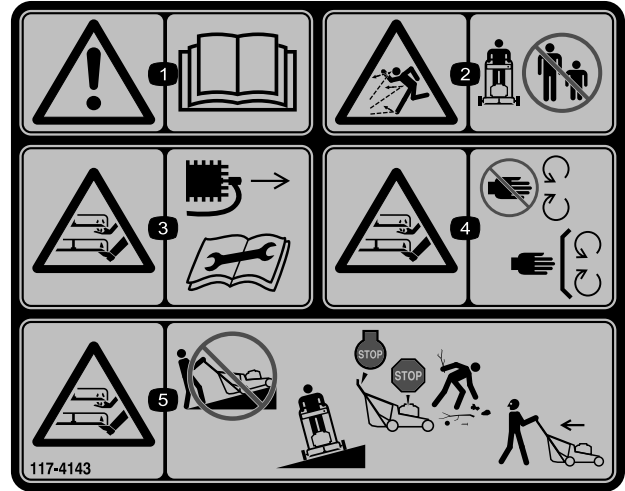
Manufacturer's Mark

1. This mark indicates that the blade is identified as a part from the original machine manufacturer.



94-8072

decal94-8072



decal117-4143

117-4143

1. Warning—read the *Operator's Manual*.
2. Thrown object hazard—keep bystanders away from the machine.
3. Cutting/dismemberment hazard of hand or foot, mower blade—disconnect the spark-plug wire and read the instructions before servicing or performing maintenance.
4. Cutting/dismemberment hazard of hand or foot, mower blade—stay away from moving parts and keep all guards and shields in place.
5. Cutting/dismemberment hazard of hand or foot, mower blade—do not mow up and down slopes, only mow across; stop the machine and shut off the engine, pick up debris before operating; look behind and down when reversing.



decal133-8062

133-8062

Setup

Important: Remove and discard the protective plastic sheet that covers the engine and any other plastic or wrapping on the machine.

1

Attaching the Handle

No Parts Required

Procedure

⚠ WARNING

Folding or unfolding the handle improperly can damage the cables, causing an unsafe operating condition.

- Do not damage the cables when folding or unfolding the handle.
- If a cable is damaged, contact an Authorized Service Dealer.

1. Remove and retain the handle knobs from the machine housing (Figure 3).

Important: Route the cables to the outside of the handle as you install the handle.

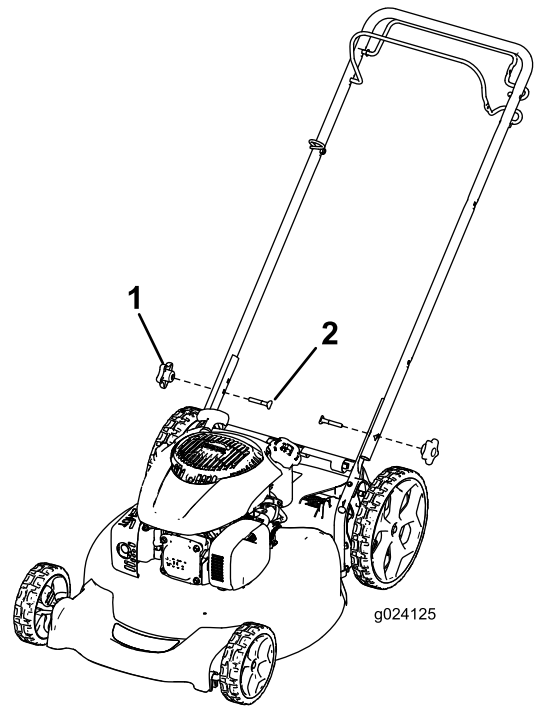


Figure 3

g024125

1. Handle knob (2)
 2. Bolt (2)
-
2. Move the handle to the operating position (Figure 3).
 3. Install the handle knobs that you removed in step 1 and tighten them firmly by hand.

2

Installing the Recoil-Starter Rope in the Rope Guide

No Parts Required

Procedure

Important: To start the engine safely and easily whenever you use the machine, install the recoil-starter rope in the rope guide.

Hold the blade-control bar to the upper handle and pull the recoil-starter rope through the rope guide on the handle (Figure 4).

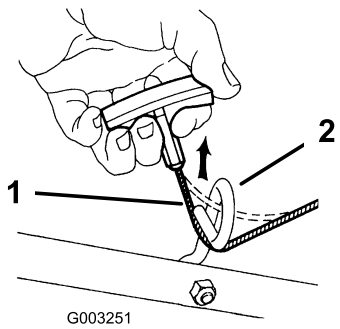


Figure 4

1. Recoil-starter rope
2. Rope guide

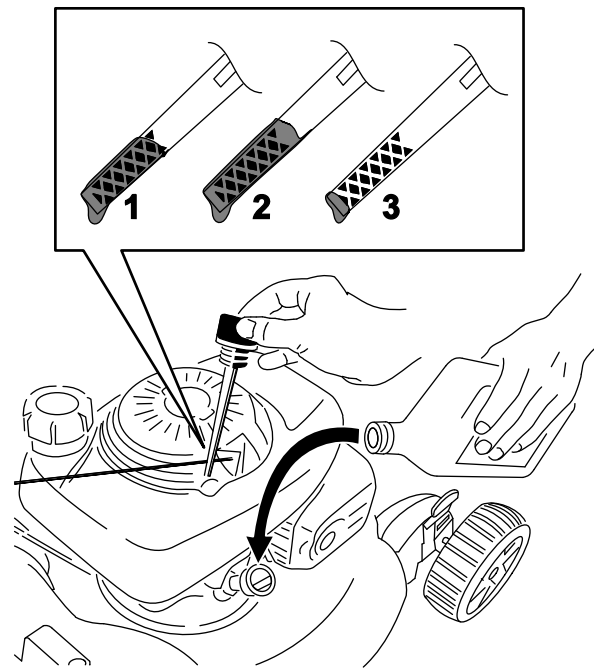


Figure 5

1. Full
2. High
3. Low

3

Filling the Engine with Oil

No Parts Required

Procedure

Important: Your machine does not come with oil in the engine, but it does come with a bottle of oil. Before starting the engine, fill the engine with oil.

Engine Oil Specifications

Engine oil capacity	0.55 L (18.6 fl oz)
Oil viscosity	SAE 30 or SAE 10W-30 detergent oil
API service classification	SJ or higher

1. Move the machine to a level surface.
2. Remove the dipstick by rotating the cap counterclockwise and pulling it out (Figure 5).

3. Carefully pour about 3/4 of the engine capacity of oil into the oil-fill tube.
4. Wait 3 minutes for the oil to settle in the engine.
5. Wipe the dipstick clean with a clean cloth.
6. Insert the dipstick into the oil-fill tube, but do not screw it in, then remove the dipstick.
7. Read the oil level on the dipstick (Figure 5).
 - If the oil level on the dipstick is too low, carefully pour a small amount of oil into the oil-fill tube, wait 3 minutes, and repeat steps 5 through 7 until the oil on the dipstick is at the correct level.
 - If the oil level on the dipstick is too high, drain the excess oil until the oil on the dipstick is at the correct level; refer to [Changing the Engine Oil \(page 15\)](#).

Important: If the oil level in the engine is too low or too high and you run the engine, you may damage the engine.

8. Install the dipstick into the oil-fill tube securely.

Important: Change the engine oil after the first 5 operating hours; change it yearly thereafter. Refer to [Changing the Engine Oil \(page 15\)](#).

4

Assembling the Grass Bag

No Parts Required

Procedure

1. Slip the grass bag over the frame as shown in [Figure 6](#).

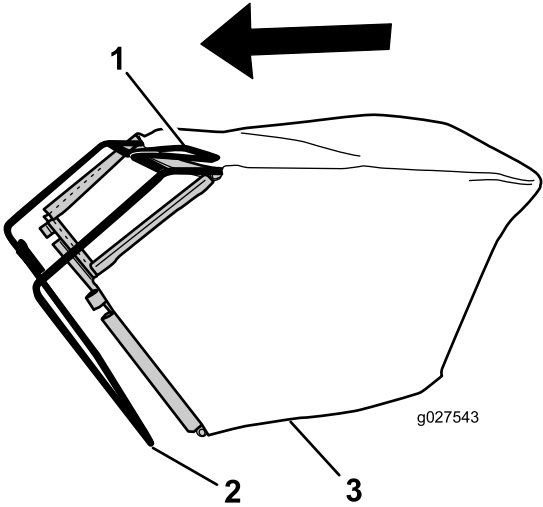


Figure 6

1. Handle
2. Frame
3. Grass bag

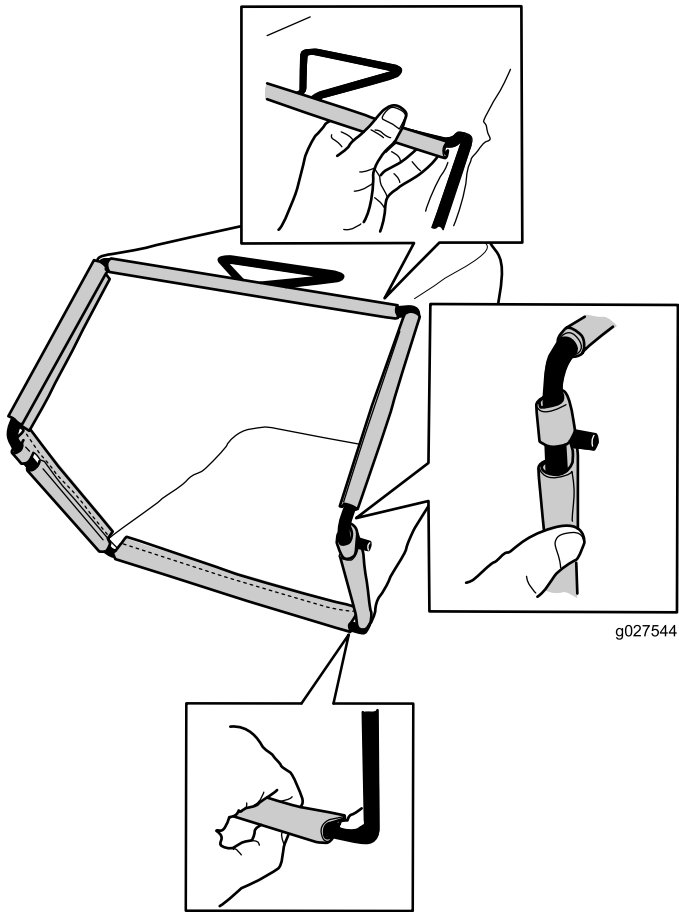


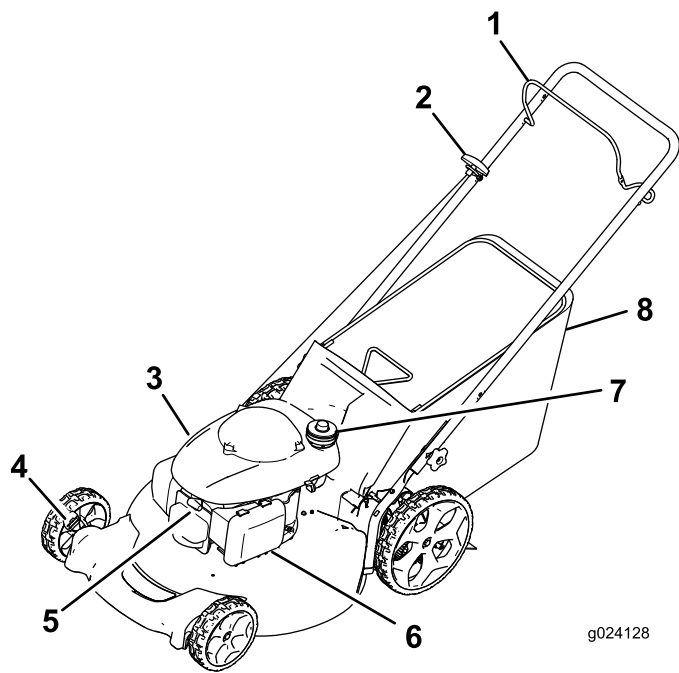
Figure 7

3. Hook the top and side channels of the bag onto the top and sides of the frame, respectively ([Figure 7](#)).

Note: Do not slip the bag over the handle ([Figure 6](#)).

2. Hook the bottom channel of the bag onto the bottom of the frame ([Figure 7](#)).

Product Overview



g024128

g024128

Figure 8

- | | |
|------------------------------------|------------------|
| 1. Blade-control bar | 5. Spark plug |
| 2. Recoil-start handle | 6. Air cleaner |
| 3. Oil fill / Dipstick (not shown) | 7. Fuel-tank cap |
| 4. Cutting-height lever (2) | 8. Grass bag |
-

Operation

Note: Determine the left and right sides of the machine from the normal operating position.

Before Operation

Before Operation Safety

General Safety

- Always shut off the machine, wait for all moving parts to stop, and allow the machine to cool before adjusting, servicing, cleaning, or storing it.
- Become familiar with the safe operation of the equipment, operator controls, and safety signs.
- Check that all guards and safety devices, such as deflectors and/or grass catcher, are in place and functioning properly.
- Always inspect the machine to ensure that the blades and blade bolts are not worn or damaged.
- Inspect the area where you will use the machine, and remove all objects that could interfere with the operation of the machine or that the machine could throw.
- Contact with the moving blade will cause serious injury. Do not put your fingers under the housing when adjusting the cutting height.

Fuel Safety

- Fuel is extremely flammable and highly explosive. A fire or explosion from fuel can burn you and others and can damage property.
 - To prevent a static charge from igniting the fuel, place the container and/or machine directly on the ground before filling, not in a vehicle or on an object.
 - Fill the fuel tank outdoors, in an open area, when the engine is cold. Wipe up any fuel that spills.
 - Do not handle fuel when smoking or around an open flame or sparks.
 - Do not remove the fuel cap or add fuel to the tank while the engine is running or hot.
 - If you spill fuel, do not attempt to start the engine. Avoid creating a source of ignition until the fuel vapors have dissipated.
 - Store fuel in an approved container and keep it out of the reach of children.
- Fuel is harmful or fatal if swallowed. Long-term exposure to vapors can cause serious injury and illness.

- Avoid prolonged breathing of vapors.
- Keep your hands and face away from the nozzle and the fuel-tank opening.
- Keep fuel away from your eyes and skin.

Filling the Fuel Tank

- For best results, use only clean, fresh, unleaded gasoline with an octane rating of 87 or higher ((R+M)/2 rating method).
- Oxygenated fuel with up to 10% ethanol or 15% MTBE by volume is acceptable.
- **Do not** use ethanol blends of gasoline, such as E15 or E85, with more than 10% ethanol by volume. Performance problems and/or engine damage may result, which may not be covered under warranty.
- **Do not** use gasoline containing methanol.
- **Do not** store fuel either in the fuel tank or in fuel containers over the winter unless fuel stabilizer has been added to the fuel.
- **Do not** add oil to gasoline.

Fill the fuel tank with fresh unleaded regular gasoline from a major name-brand service station (Figure 9).

Important: To reduce starting problems, add fuel stabilizer/conditioner to fresh fuel as directed by the fuel-stabilizer manufacturer.

Refer to your engine owner's manual for additional information.

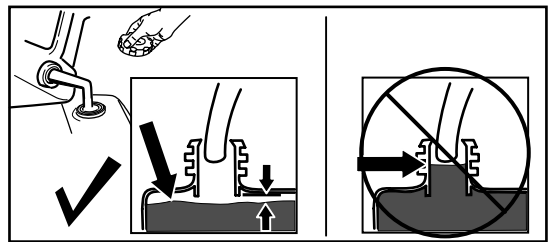


Figure 9

g230458

Checking the Engine-Oil Level

Service Interval: Before each use or daily

Important: If the oil level in the crankcase is too low or too high and you run the engine, you may damage the engine.

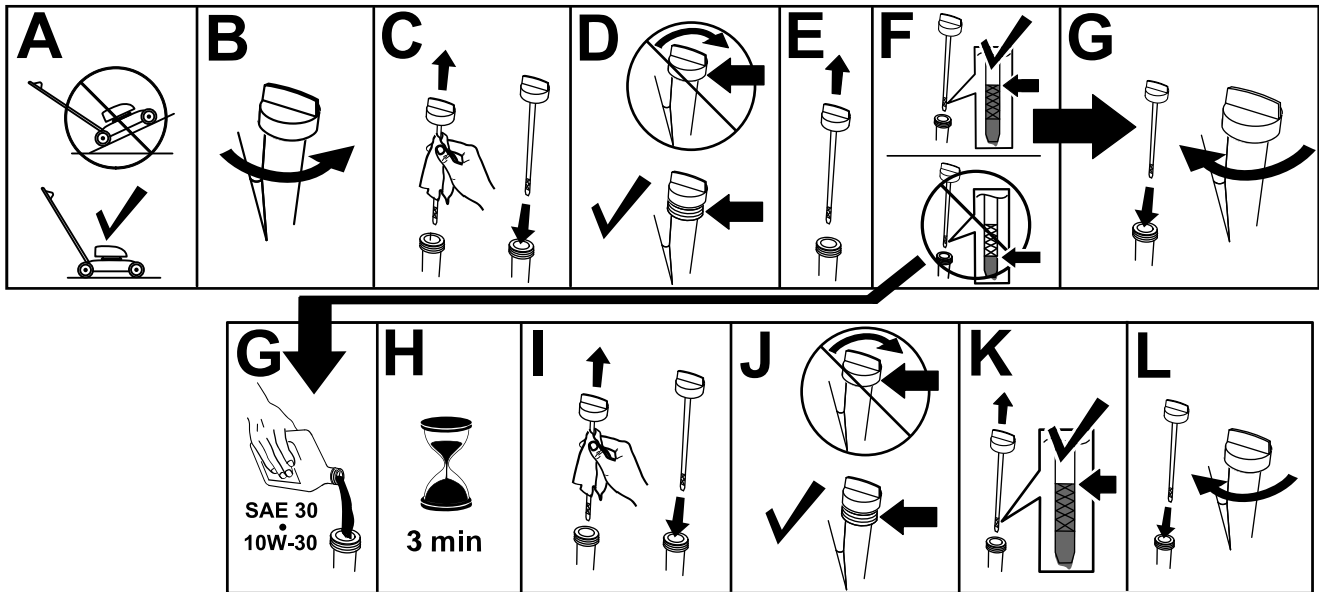


Figure 10

g235721

Adjusting the Cutting Height

⚠ CAUTION

If the engine has been running, the muffler will be hot and can severely burn you. Keep away from the hot muffler.

Adjust the cutting height as desired. Set all wheels to the same cutting height (Figure 11).

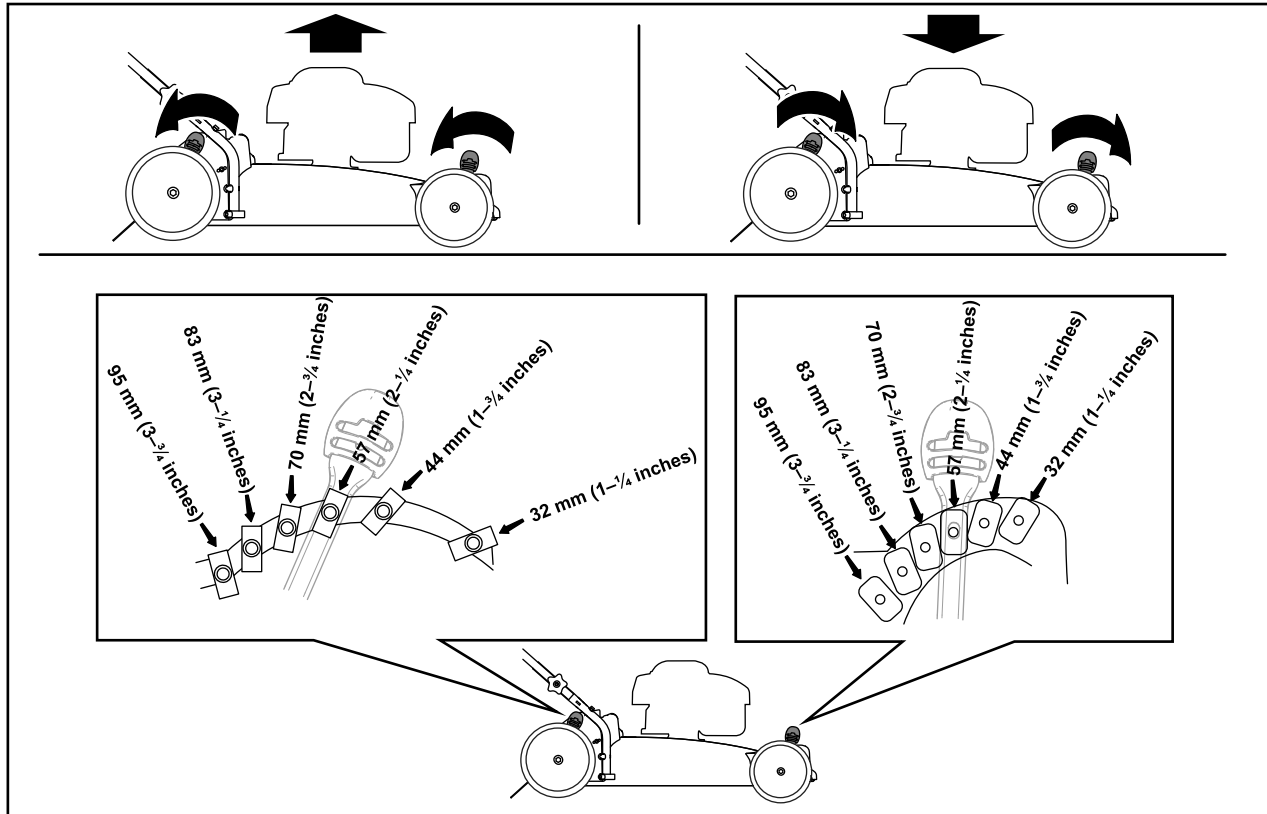


Figure 11

g228410

During Operation

During Operation Safety

General Safety

- Wear appropriate clothing, including eye protection; long pants; substantial, slip-resistant footwear; and hearing protection. Tie back long hair and do not wear loose clothing or loose jewelry.
- Use your full attention while operating the machine. Do not engage in any activity that causes distractions; otherwise, injury or property damage may occur.
- Do not operate the machine while ill, tired, or under the influence of alcohol or drugs.
- The blade is sharp; contacting the blade can result in serious personal injury. Shut off the engine and wait for all moving parts to stop before leaving the operating position.
- When you release the blade-control bar, the engine should shut off and the blade should stop within 3 seconds. If not, stop using your machine immediately and contact an Authorized Service Dealer.
- Keep bystanders out of the operating area. Keep small children out of the operating area and under the watchful care of a responsible adult who is not operating the machine. Stop the machine if anyone enters the area.
- Always look down and behind you before moving the machine in reverse.

- Operate the machine only in good visibility and appropriate weather conditions. Do not operate the machine when there is the risk of lightning.
- Wet grass or leaves can cause serious injury if you slip and contact the blade. Avoid mowing in wet conditions.
- Use extreme care when approaching blind corners, shrubs, trees, or other objects that may block your view.
- Do not direct the discharge material toward anyone. Avoid discharging material against a wall or obstruction; material may ricochet toward you. Stop the blade(s) when crossing gravel surfaces.
- Watch for holes, ruts, bumps, rocks, or other hidden objects. Uneven terrain could cause you to lose your balance or footing.
- If the machine strikes an object or starts to vibrate, immediately shut off the engine, wait for all moving parts to stop, and disconnect the wire from the spark plug before examining the machine for damage. Make all necessary repairs before resuming operation.
- Before leaving the operating position, shut off the engine and wait for all moving parts to stop.
- If the engine has been running, it will be hot and can severely burn you. Keep away from the hot engine.
- Operate the engine only in well-ventilated areas. Exhaust gases contain carbon monoxide, which is lethal if inhaled.
- Check the grass catcher components and the discharge chute frequently for any wear or deterioration and replace them with genuine Lawn-Boy parts when necessary.

Slope Safety

- Mow across the face of slopes; never up and down. Use extreme caution when changing direction on slopes.
- Do not mow on excessively steep slopes. Poor footing could cause a slip-and-fall accident.
- Mow with caution near drop-offs, ditches, or embankments.

Starting the Engine

1. Hold the blade-control bar against the handle (A of [Figure 12](#)).
2. Pull the recoil-start handle (B of [Figure 12](#)).

Note: When you pull the recoil-start handle, pull it lightly until you feel resistance, then pull it

sharply. Allow the rope to return to the handle slowly.

Note: If the machine does not start after several attempts, contact an Authorized Service Dealer.

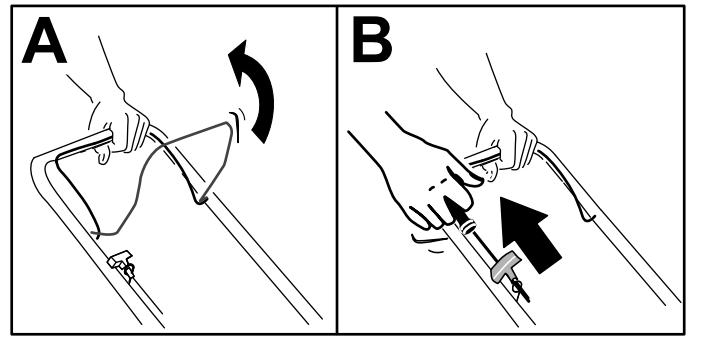


Figure 12

Shutting Off the Engine

Service Interval: Before each use or daily

To shut off the engine, release the blade-control bar.

Important: When you release the blade-control bar, both the engine and blade should stop within 3 seconds. If they do not stop properly, stop using your machine immediately and contact an Authorized Service Dealer.

Mulching the Clippings

Your machine comes from the factory ready to mulch the grass and leaf clippings back into the lawn.

If the grass bag is on the machine, remove it before mulching the clippings. Refer to [Removing the Grass Bag \(page 12\)](#).

Bagging the Clippings

Use the grass bag when you want to collect grass and leaf clippings from the lawn.

⚠ WARNING

A worn grass bag could allow small stones and other similar debris to be thrown toward you or bystanders, resulting in serious personal injury or death.

Check the grass bag frequently. If it is damaged, install a new Lawn-Boy replacement bag.

⚠ WARNING

The blade is sharp; contacting the blade can result in serious personal injury.

Shut off the engine and wait for all moving parts to stop before leaving the operating position.

Installing the Grass Bag

1. Lift up the rear deflector (Figure 13).

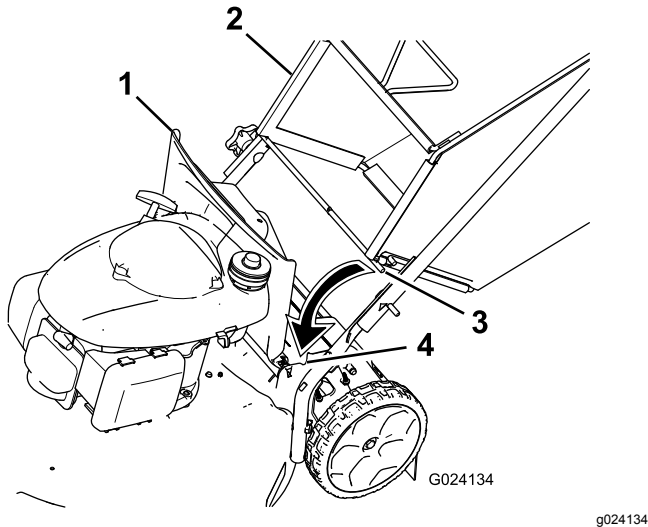


Figure 13

- | | |
|-------------------|------------------------------------|
| 1. Rear deflector | 3. Rod end (2) |
| 2. Grass bag | 4. Notch in the handle bracket (2) |

2. Insert the rod ends of the grass bag into the notches in the handle brackets (Figure 13).
3. Allow the rear deflector to rest on the bag.

Removing the Grass Bag

1. Lift up the rear deflector (Figure 13).
2. Lift the grass-bag handle out from the notches on the handle brackets and remove the bag from the machine.
3. Close the rear deflector.

Operating Tips

General Mowing Tips

- Inspect the area where you will use the machine and remove all objects that the machine could throw.
- Avoid striking solid objects with the blade. Never deliberately mow over any object.

- If the machine strikes an object or starts to vibrate, immediately shut off the engine, remove the key (if equipped), disconnect the wire from the spark plug, and examine the machine for damage.
- For best performance, install a new blade before the cutting season begins.
- Replace the blade when necessary with a Lawn-Boy replacement blade.

Cutting Grass

- Cut only about a third of the grass blade at a time. Do not cut below 51 mm (2 inches) unless the grass is sparse or it is late fall when grass growth begins to slow down.
- When cutting grass over 15 cm (6 inches) tall, mow at the highest cutting height setting and walk slower; then mow again at a lower setting for the best lawn appearance. If the grass is too long, the machine may plug and cause the engine to stall.
- Wet grass and leaves tend to clump on the yard and can cause the machine to plug or the engine to stall. Avoid mowing in wet conditions.
- Be aware of a potential fire hazard in very dry conditions, follow all local fire warnings, and keep the machine free of dry grass and leaf debris.
- Alternate the mowing direction. This helps disperse the clippings over the lawn for even fertilization.
- If the finished lawn appearance is unsatisfactory, try 1 or more of the following:
 - Replace the blade or have it sharpened.
 - Walk at a slower pace while mowing.
 - Raise the cutting height on your machine.
 - Cut the grass more frequently.
 - Overlap cutting swaths instead of cutting a full swath with each pass.

Cutting Leaves

- After cutting the lawn, ensure that half of the lawn shows through the cut leaf cover. You may need to make more than a single pass over the leaves.
- If there are more than 13 cm (5 inches) of leaves on the lawn, mow at a higher cutting height and then again at the desired cutting height.
- Slow down your mowing speed if the machine does not cut the leaves finely enough.

After Operation

After Operation Safety

General Safety

- Always shut off the machine, wait for all moving parts to stop, and allow the machine to cool before adjusting, servicing, cleaning, or storing it.
- Clean grass and debris from the machine to help prevent fires. Clean up oil or fuel spills.
- Never store the machine or fuel container where there is an open flame, spark, or pilot light, such as on a water heater or on other appliances.

Hauling Safety

- Use care when loading or unloading the machine.
- Secure the machine from rolling.

Cleaning under the Machine

Service Interval: After each use

For best results, clean under the machine soon after you have completed mowing.

1. Lower the machine to its lowest cutting-height setting.
2. Move the machine onto a paved level surface.
3. With the engine running and the blade engaged, spray a stream of water in front of the **right**, rear wheel (Figure 14).

Note: The water will splash into the path of the blade, cleaning out the clippings.



Figure 14

G002600

4. When no more clippings come out, stop the water and move the machine to a dry area.
5. Run the engine for a few minutes to dry the underside of the machine.

Folding the Handle

⚠ WARNING

Folding or unfolding the handle improperly can damage the cables, causing an unsafe operating condition.

- Do not damage the cables when folding or unfolding the handle.
 - If a cable is damaged, contact an **Authorized Service Dealer**.
1. Loosen the handle knobs until you can move the handle freely (Figure 15).

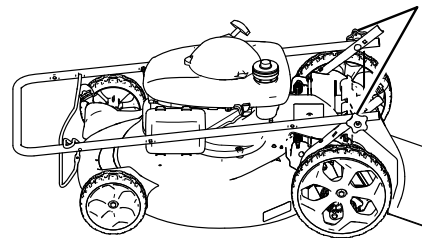
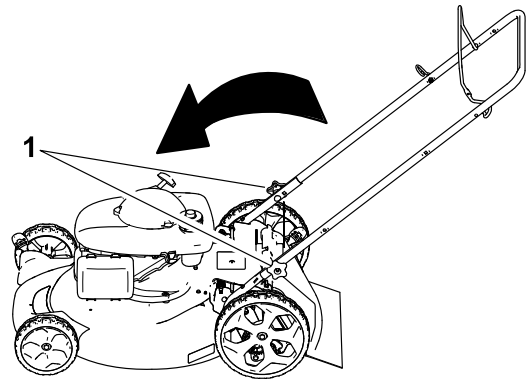


Figure 15

g024126

1. Handle knob (2)
-
2. Move the handle forward as shown in Figure 15.
Important: Route the cables to the outside of the handle knobs as you fold the handle.

Maintenance

Recommended Maintenance Schedule(s)

Maintenance Service Interval	Maintenance Procedure
After the first 5 hours	<ul style="list-style-type: none">• Change the engine oil.
Before each use or daily	<ul style="list-style-type: none">• Check the engine-oil level and add oil as needed.• Ensure that the engine shuts off within 3 seconds after releasing the blade-control bar.• Check the air filter for dirt and damage and clean or replace it if necessary.
After each use	<ul style="list-style-type: none">• Clean grass clippings and dirt from under the machine.
Every 100 hours	<ul style="list-style-type: none">• Clean the cooling system (refer to your engine owner's manual).
Every 200 hours	<ul style="list-style-type: none">• Replace the air filter (more frequently in dusty operating conditions).• Replace the spark plug.
Before storage	<ul style="list-style-type: none">• Empty the fuel tank before repairs as directed and before annual storage.
Yearly	<ul style="list-style-type: none">• Check the air filter for dirt and damage and clean or replace it if necessary (more frequently in dusty operating conditions).• Change the engine oil.• Replace the blade or have it sharpened (more frequently if the edge dulls quickly).

Important: Refer to your engine owner's manual for additional maintenance procedures.

Maintenance Safety

- Disconnect the spark-plug wire from the spark plug before performing any maintenance procedure.
- Wear gloves and eye protection when servicing the machine.
- The blade is sharp; contacting the blade can result in serious personal injury. Wear gloves when servicing the blade. Do not repair or alter the blade(s).
- Never tamper with safety devices. Check their proper operation regularly.
- Tipping the machine may cause the fuel to leak. Fuel is flammable and explosive, and can cause personal injury. Run the engine dry or remove the fuel with a hand pump; never siphon the fuel.
- To ensure optimum performance of the machine, use only genuine Lawn-Boy replacement parts and accessories. Replacement parts and accessories made by other manufacturers could be dangerous, and such use could void the product warranty.

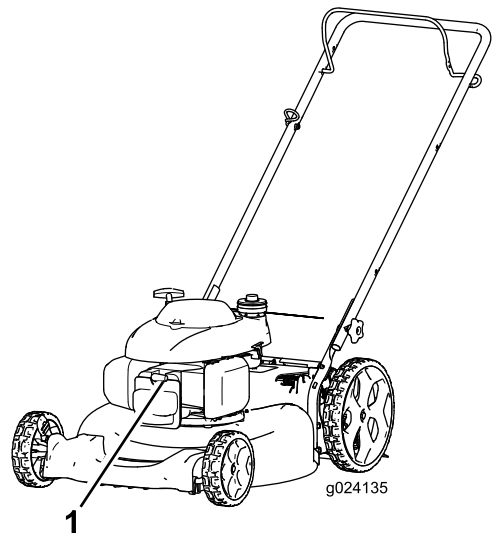


Figure 16

1. Spark-plug wire

3. After performing the maintenance procedure(s), connect the spark-plug wire to the spark plug.

Important: Before tipping the machine to change the oil or replace the blade, allow the fuel tank to run dry through normal usage. If you must tip the machine prior to running out of fuel, use a hand fuel pump to remove the fuel. Always tip the machine onto its side with the dipstick down.

Preparing for Maintenance

1. Shut off the engine and wait for all moving parts to stop.
2. Disconnect the spark-plug wire from the spark plug (Figure 16) before performing any maintenance procedure.

Servicing the Air Filter

Service Interval: Before each use or daily—Check the air filter for dirt and damage and clean or replace it if necessary.

Yearly—Check the air filter for dirt and damage and clean or replace it if necessary (more frequently in dusty operating conditions).

Every 200 hours—Replace the air filter (more frequently in dusty operating conditions).

1. Press down on the latch tabs on top of the air-filter cover ([Figure 17](#)).

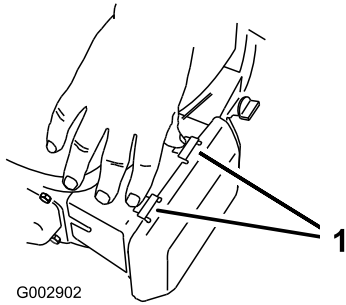


Figure 17

1. Latch tabs

2. Open the cover.
3. Remove the air filter ([Figure 18](#)).

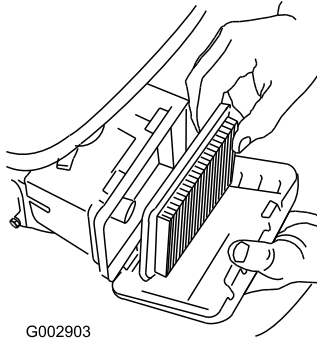


Figure 18

4. If the air filter is damaged or is wet with oil or fuel, replace it.
5. If the air filter is dirty, tap it on a hard surface several times or blow compressed air less than 207 kPa (30 psi) through the side of the filter that faces the engine.

Note: Do not brush the dirt off the filter; brushing forces dirt into the fibers.

6. Remove dirt from the air-filter body and cover using a moist rag. **Do not wipe dirt into the air duct.**
7. Install the air filter.

8. Close the cover.

Changing the Engine Oil

Service Interval: Yearly

After the first 5 hours

Note: Run the engine a few minutes before changing the oil to warm it. Warm oil flows better and carries more contaminants.

Engine Oil Specifications

Engine oil capacity	0.55 L (18.6 fl oz)
Oil viscosity	SAE 30 or SAE 10W-30 detergent oil
API service classification	SJ or higher

1. Move the machine to a level surface.
2. Refer to [Preparing for Maintenance](#) (page 14).
3. Remove the dipstick by rotating the cap counterclockwise and pulling it out ([Figure 19](#)).

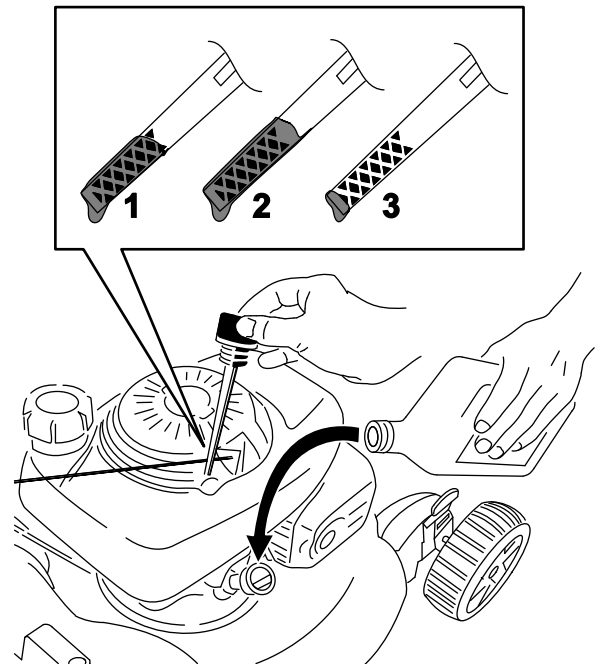


Figure 19

1. Full
2. High
3. Low

4. Tip the machine onto its side (so that the air filter is up) to drain the used oil from the oil-fill tube ([Figure 19](#)).

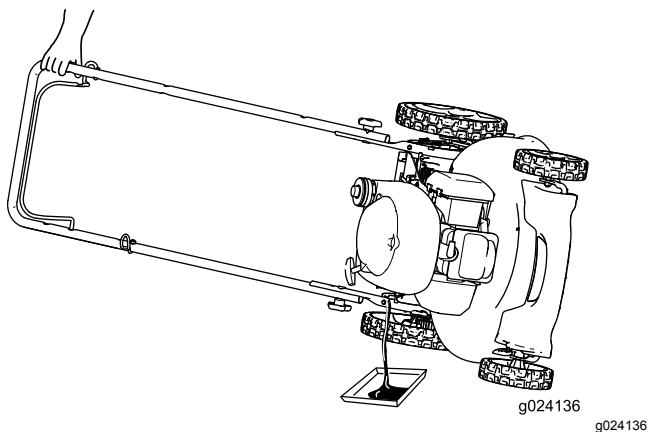


Figure 20

⚠ WARNING

The blade is sharp; contacting the blade can result in serious personal injury.

Wear gloves when servicing the blade.

1. Refer to [Preparing for Maintenance \(page 14\)](#).
2. Tip the machine onto its side with the air filter up.
3. Use a block of wood to hold the blade steady ([Figure 21](#)).

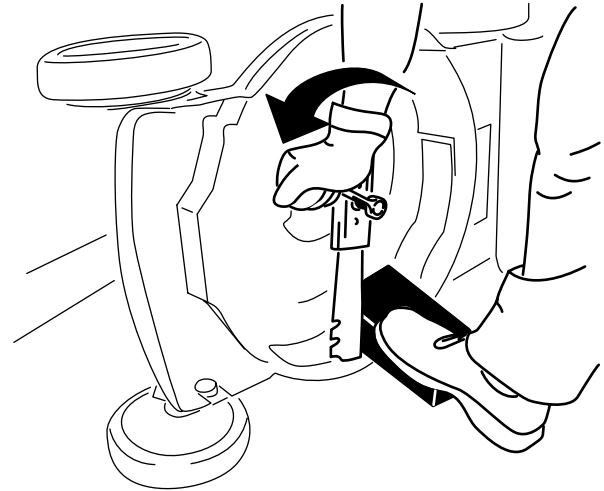


Figure 21

5. After draining the used oil, return the machine to the operating position.
6. Carefully pour about 3/4 of the engine capacity of oil into the oil-fill tube.
7. Wait 3 minutes for the oil to settle in the engine.
8. Wipe the dipstick clean with a clean cloth.
9. Insert the dipstick into the oil-fill tube, **but do not screw it in**, then remove the dipstick.
10. Read the oil level on the dipstick ([Figure 19](#)).
 - If the oil level on the dipstick is too low, carefully pour a small amount of oil into the oil-fill tube, wait 3 minutes, and repeat steps [8](#) through [10](#) until the oil level on the dipstick is correct.
 - If the oil level on the dipstick is too high, drain the excess oil until the oil level on the dipstick is correct.

Important: If the oil level in the engine is too low or too high and you run the engine, you may damage the engine.

11. Install the dipstick into the oil-fill tube securely.
12. Recycle the used oil properly.

4. Remove the blade, saving all mounting hardware ([Figure 21](#)).
5. Install the new blade and all mounting hardware ([Figure 22](#)).

Replacing the Blade

Service Interval: Yearly

Important: You will need a torque wrench to install the blade properly. If you do not have a torque wrench or are uncomfortable performing this procedure, contact an Authorized Service Dealer.

Examine the blade whenever you run out of fuel. If the blade is damaged or cracked, replace it immediately. If the blade edge is dull or nicked, have it sharpened and balanced, or replace it.

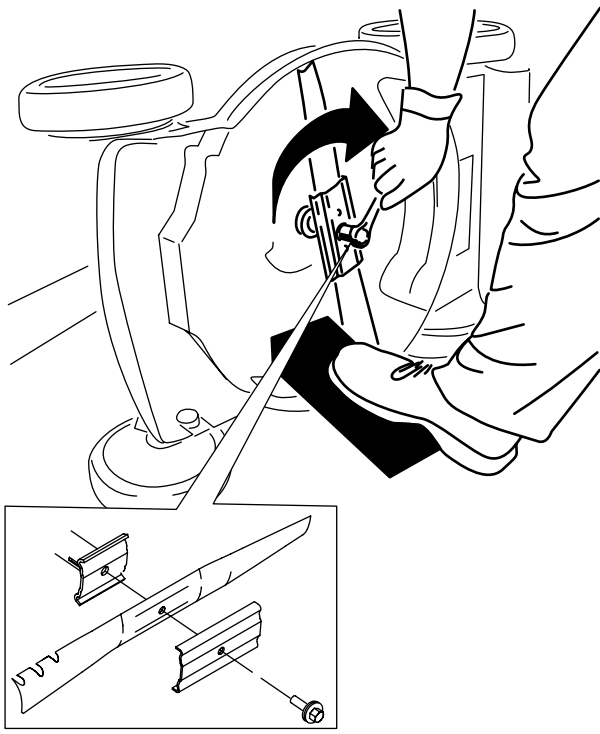


Figure 22

g231390

Important: Position the curved ends of the blade to point toward the machine housing.

6. Use a torque wrench to tighten the blade bolt to 82 N·m (60 ft-lb).

Important: A bolt torqued to 82 N·m (60 ft-lb) is very tight. While holding the blade with a block of wood, put your weight behind the ratchet or wrench and tighten the bolt securely. This bolt is very difficult to overtighten.

Storage

Store the machine in a cool, clean, dry place.

Storage Safety

Always shut off the machine, wait for all moving parts to stop, and allow the machine to cool before adjusting, servicing, cleaning, or storing it.

Preparing the Machine for Storage

1. On the last refueling of the year, add fuel stabilizer to the fuel as directed by the engine manufacturer.
2. Dispose of any unused fuel properly. Recycle it according to local codes or use it in your automobile.

Important: Old fuel in the fuel tank is the leading cause of hard starting. Do not store the fuel without fuel stabilizer more than 30 days, and do not store stabilized fuel beyond the duration recommended by the fuel-stabilizer manufacturer.

3. Run the machine until the engine shuts off from running out of fuel.
4. Start the engine again and allow it to run until it shuts off. When you can no longer start the engine, it is sufficiently dry.
5. Disconnect the wire from the spark plug and connect the wire to the retaining post (if equipped).
6. Remove the spark plug, add 30 ml (1 fl oz) of engine oil through the spark-plug hole, and pull the starter rope slowly several times to distribute oil throughout the cylinder to prevent cylinder corrosion during the off-season.
7. Loosely install the spark plug.
8. Tighten all nuts, bolts, and screws.

Remove the Machine from Storage

1. Check and tighten all fasteners.
2. Remove the spark plug and spin the engine rapidly by pulling the recoil-start handle to blow the excess oil from the cylinder.
3. Install the spark plug and tighten it with a torque wrench to 20 N·m (15 ft-lb).
4. Perform any maintenance procedures; refer to [Maintenance \(page 14\)](#).
5. Check the engine-oil level; refer to [Checking the Engine-Oil Level \(page 9\)](#).
6. Fill the fuel tank with fresh fuel; refer to [Filling the Fuel Tank \(page 8\)](#).
7. Connect the wire to the spark plug.

California Proposition 65 Warning Information

What is this warning?

You may see a product for sale that has a warning label like the following:



WARNING: Cancer and Reproductive Harm—www.p65Warnings.ca.gov.

What is Prop 65?

Prop 65 applies to any company operating in California, selling products in California, or manufacturing products that may be sold in or brought into California. It mandates that the Governor of California maintain and publish a list of chemicals known to cause cancer, birth defects, and/or other reproductive harm. The list, which is updated annually, includes hundreds of chemicals found in many everyday items. The purpose of Prop 65 is to inform the public about exposure to these chemicals.

Prop 65 does not ban the sale of products containing these chemicals but instead requires warnings on any product, product packaging, or literature with the product. Moreover, a Prop 65 warning does not mean that a product is in violation of any product safety standards or requirements. In fact, the California government has clarified that a Prop 65 warning "is not the same as a regulatory decision that a product is 'safe' or 'unsafe.'" Many of these chemicals have been used in everyday products for years without documented harm. For more information, go to <https://oag.ca.gov/prop65/faqs-view-all>.

A Prop 65 warning means that a company has either (1) evaluated the exposure and has concluded that it exceeds the "no significant risk level"; or (2) has chosen to provide a warning based on its understanding about the presence of a listed chemical without attempting to evaluate the exposure.

Does this law apply everywhere?

Prop 65 warnings are required under California law only. These warnings are seen throughout California in a wide range of settings, including but not limited to restaurants, grocery stores, hotels, schools, and hospitals, and on a wide variety of products. Additionally, some online and mail order retailers provide Prop 65 warnings on their websites or in catalogs.

How do the California warnings compare to federal limits?

Prop 65 standards are often more stringent than federal and international standards. There are various substances that require a Prop 65 warning at levels that are far lower than federal action limits. For example, the Prop 65 standard for warnings for lead is 0.5 µg/day, which is well below the federal and international standards.

Why don't all similar products carry the warning?

- Products sold in California require Prop 65 labelling while similar products sold elsewhere do not.
- A company involved in a Prop 65 lawsuit reaching a settlement may be required to use Prop 65 warnings for its products, but other companies making similar products may have no such requirement.
- The enforcement of Prop 65 is inconsistent.
- Companies may elect not to provide warnings because they conclude that they are not required to do so under Prop 65; a lack of warnings for a product does not mean that the product is free of listed chemicals at similar levels.

Why does Lawn-Boy include this warning?

Lawn-Boy has chosen to provide consumers with as much information as possible so that they can make informed decisions about the products they buy and use. Lawn-Boy provides warnings in certain cases based on its knowledge of the presence of one or more listed chemicals without evaluating the level of exposure, as not all the listed chemicals provide exposure limit requirements. While the exposure from Lawn-Boy products may be negligible or well within the "no significant risk" range, out of an abundance of caution, Lawn-Boy has elected to provide the Prop 65 warnings. Moreover, if Lawn-Boy does not provide these warnings, it could be sued by the State of California or by private parties seeking to enforce Prop 65 and subject to substantial penalties.





Cortacésped de mulching/ensacado trasero de 51 cm (21")

Nº de modelo 10736—Nº de serie 403400000 y superiores

Nº de modelo 10736HD—Nº de serie 404320000 y superiores

Manual del operador

Introducción

Este cortacésped dirigido de cuchillas rotativas está diseñado para ser usado por usuarios domésticos. Está diseñado principalmente para segar césped bien mantenido en zonas verdes residenciales. El uso de este producto para otros propósitos que los previstos podría ser peligroso para usted y para otras personas.

Lea este manual detenidamente para aprender a utilizar y mantener correctamente su producto, y para evitar lesiones y daños al producto. Usted es el responsable de utilizar el producto de forma correcta y segura.

Visite www.Lawn-Boy.com para más información, incluyendo consejos de seguridad, materiales de formación, información sobre accesorios, para localizar un distribuidor o para registrar su producto.

Cuando necesite asistencia técnica, piezas genuinas Lawn-Boy o información adicional, póngase en contacto con un Servicio Técnico Autorizado o con Asistencia al Cliente Lawn-Boy, y tenga a mano los números de modelo y serie de su producto. **Figura 1** identifica la ubicación de los números de modelo y serie en el producto. Escriba los números en el espacio provisto.

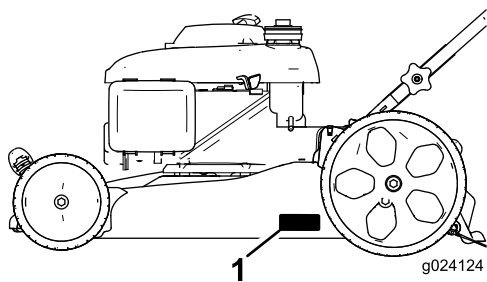


Figura 1

1. Ubicación de los números de modelo y de serie

Nº de modelo _____
Nº de serie _____

Este manual identifica peligros potenciales y contiene mensajes de seguridad identificados por el símbolo de alerta de seguridad (**Figura 2**), que señala un peligro que puede causar lesiones graves o la muerte si usted no sigue las precauciones recomendadas.



Figura 2

Símbolo de alerta de seguridad

g000502

Este manual utiliza 2 palabras para resaltar información. **Importante** llama la atención sobre información mecánica especial, y **Nota** resalta información general que merece una atención especial.

Para evitar derroches y ayudar al medio ambiente, su compra no incluye conducto de descarga lateral (la mayoría de los clientes prefiere triturar o recoger los recortes de césped). Puede solicitar un conducto de descarga lateral al registrar su producto en www.Lawn-Boy.com. Simplemente marque la casilla correspondiente en el formulario de registro online, y Lawn-Boy le enviará un conducto de descarga lateral sin coste adicional alguno. El plazo de entrega es de 1 a 2 semanas.

El uso o la operación del motor en cualquier terreno forestal, de monte o cubierto de hierba a menos que el motor esté equipado con parachispas (conforme a la definición de la sección 4442) mantenido en buenas condiciones de funcionamiento, o que el motor haya sido fabricado, equipado y mantenido para la prevención de incendios, constituye una infracción de la legislación de California (California Public Resource Code Section 4442 o 4443).

El manual del propietario del motor adjunto ofrece información sobre las normas de la Agencia de protección ambiental de EE. UU. (U.S. Environmental Protection Agency/EPA) y de la Norma de control de emisiones de California (California Emission Control Regulation) sobre sistemas de emisiones, mantenimiento y garantía. Puede solicitarse un manual nuevo al fabricante del motor.



Par bruto o neto: el par bruto o neto de este motor fue calculada por el fabricante del motor con arreglo a lo estipulado en el documento J1940 o J2723 de la Society of Automotive Engineers (Sociedad de Ingenieros del Automóvil – SAE). Debido a que el motor está configurado para cumplir los requisitos de seguridad, emisiones y operación, su potencia real en este tipo de cortacésped será significativamente menor. Consulte la información del fabricante del motor incluida con la máquina.

▲ ADVERTENCIA

CALIFORNIA

Advertencia de la Propuesta 65

Los gases de escape de este producto contienen productos químicos que el Estado de California sabe que causan cáncer, defectos congénitos u otros peligros para la reproducción.

El uso de este producto puede provocar la exposición a sustancias químicas que el Estado de California considera causantes de cáncer, defectos congénitos u otros trastornos del sistema reproductor.

Contenido

Introducción	1
Seguridad	2
Seguridad en general	2
Pegatinas de seguridad e instrucciones	3
Montaje	4
1 Montaje del manillar	4
2 Instalación de la cuerda de arranque en la guía de la cuerda	4
3 Llenado del cárter de aceite	5
4 Ensamblaje de la bolsa de recogida	6
El producto	7
Operación	7
Antes del funcionamiento	7
Seguridad antes del uso	7
Cómo llenar el depósito de combustible	8
Comprobación del nivel de aceite del motor	8
Ajuste de la altura de corte	9
Durante el funcionamiento	9
Seguridad durante el uso	9
Arranque del motor	10
Parada del motor	10
Reciclado de los recortes	10
Ensacado de los recortes	10
Consejos de operación	11

Después del funcionamiento	12
Seguridad tras el uso	12
Limpieza de los bajos de la máquina	12
Cómo plegar el manillar	12
Mantenimiento	14
Calendario recomendado de mantenimiento	14
Seguridad en el mantenimiento	14
Preparación para el mantenimiento	14
Mantenimiento del filtro de aire	15
Cómo cambiar el aceite del motor	15
Cómo cambiar la cuchilla	16
Almacenamiento	18
Seguridad durante el almacenamiento	18
Preparación de la máquina para el almacenamiento	18
Después del almacenamiento	18

Seguridad

Esta máquina ha sido diseñada con arreglo a lo estipulado en la norma ANSI B71.1–2017.

Seguridad en general

Este producto es capaz de amputar manos y pies y de lanzar objetos al aire. Siga siempre todas las instrucciones de seguridad con el fin de evitar lesiones personales graves.

- Antes de arrancar el motor, lea, comprenda y siga las instrucciones y advertencias de este *Manual del operador* y las que están colocadas en la máquina y en los accesorios.
- No coloque las manos o los pies cerca de piezas móviles o debajo de la máquina. No se acerque a los orificios de descarga.
- No haga funcionar la máquina si no están colocados y funcionando todos los protectores y dispositivos de seguridad de la máquina.
- Mantenga a transeúntes y niños alejados de la zona de trabajo. No permita que este vehículo sea utilizado por niños. Sólo permita que manejen la máquina personas responsables, formadas, familiarizadas con las instrucciones y físicamente capaces de utilizar la máquina.
- Pare la máquina, apague el motor y espere a que se detengan todas las piezas en movimiento antes de realizar tareas de mantenimiento, repostar o eliminar obstrucciones en la máquina.

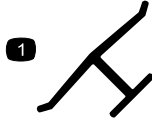
El uso o mantenimiento incorrecto de esta máquina puede causar lesiones. Para reducir el peligro de lesiones, cumpla estas instrucciones de seguridad y preste atención siempre al símbolo de alerta de seguridad ▲, que significa: Cuidado, Advertencia o Peligro – instrucción relativa a la seguridad personal.

El incumplimiento de estas instrucciones puede dar lugar a lesiones personales o la muerte.

Pegatinas de seguridad e instrucciones



Las pegatinas de seguridad e instrucciones están a la vista del operador y están ubicadas cerca de cualquier zona de peligro potencial. Sustituya cualquier pegatina que esté dañada o que falte.



decaloemark

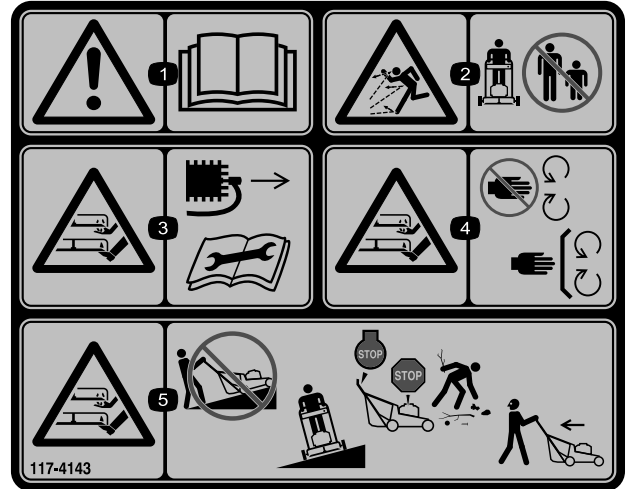
Marca del fabricante

1. Esta marca indica que la cuchilla se ha identificado como pieza del fabricante original de la máquina.



94-8072

decal94-8072



decal117-4143

117-4143

1. Advertencia – lea el *Manual del operador*.
2. Peligro de objetos arrojados – mantenga a otras personas alejadas de la máquina.
3. Peligro de corte/desmembramiento de mano o pie, cuchilla del cortacésped – desconecte el cable de la bujía y lea las instrucciones antes de realizar cualquier tarea de mantenimiento.
4. Peligro de corte/desmembramiento de mano o pie, cuchillas del cortacésped – no se acerque a las piezas en movimiento y mantenga colocados todos los protectores.
5. Peligro de corte/desmembramiento de mano o pie, cuchilla del cortacésped – no siegue las pendientes hacia arriba/abajo; siegue las pendientes de través; pare la máquina y apague el motor, y recoja cualquier residuo antes de empezar a segar; mire hacia atrás y hacia abajo mientras conduce en marcha atrás.

⚠ WARNING: Cancer and Reproductive Harm - www.P65Warnings.ca.gov.
For more information, please visit www.tccoCAProp65.com
CALIFORNIA SPARK ARRESTER WARNING
Operation of this equipment may create sparks that can start fires around dry vegetation. A spark arrester may be required. The operator should contact local fire agencies for laws or regulations relating to fire prevention requirements.

decal133-8062

133-8062

Montaje

Importante: Retire y deseche la hoja protectora de plástico que cubre el motor, y cualquier otro plástico o envoltura de la máquina.

1

Montaje del manillar

No se necesitan piezas

Procedimiento

⚠ ADVERTENCIA

Si pliega o despliega el manillar de forma incorrecta, pueden dañarse los cables, creando condiciones de operación inseguras.

- No dañe los cables al plegar o desplegar el manillar.
- Si un cable está dañado, póngase en contacto con el Servicio Técnico Autorizado.

1. Retire y guarde los pomos del manillar de la carcasa de la máquina (Figura 3).

Importante: Asegúrese de que los cables quedan por fuera del manillar al instalar el manillar.

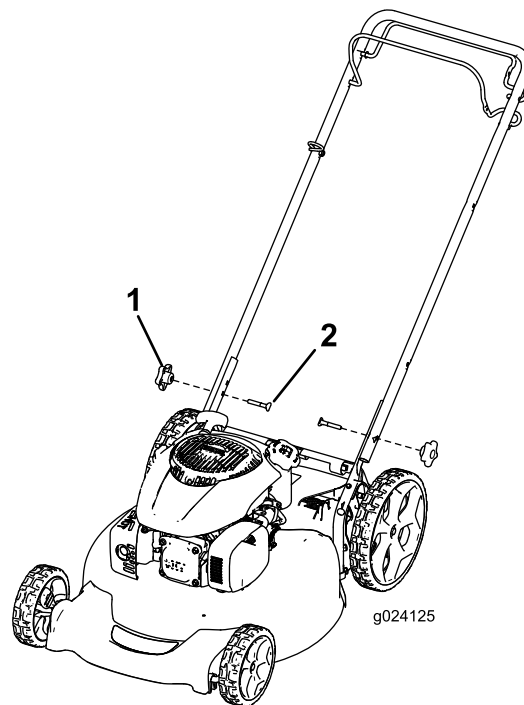


Figura 3

g024125

1. Pomo del manillar (2)
2. Perno (2)

2. Mueva el manillar a la posición de operación (Figura 3).
3. Instale los pomos del manillar que retiró en el paso 1 y apriételos firmemente a mano.

2

Instalación de la cuerda de arranque en la guía de la cuerda

No se necesitan piezas

Procedimiento

Importante: Para arrancar el motor de forma segura y fácil cada vez que utilice la máquina, instale la cuerda de arranque en la guía de la cuerda.

Sujete la barra de control de las cuchillas contra el manillar superior y pase la cuerda de arranque a través de la guía del manillar (Figura 4).

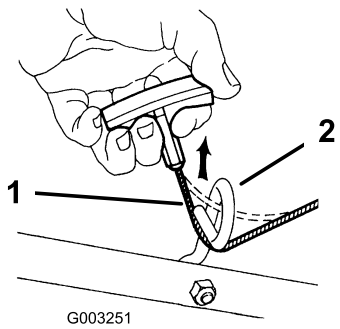


Figura 4

1. Cuerda de arranque 2. Guía de la cuerda

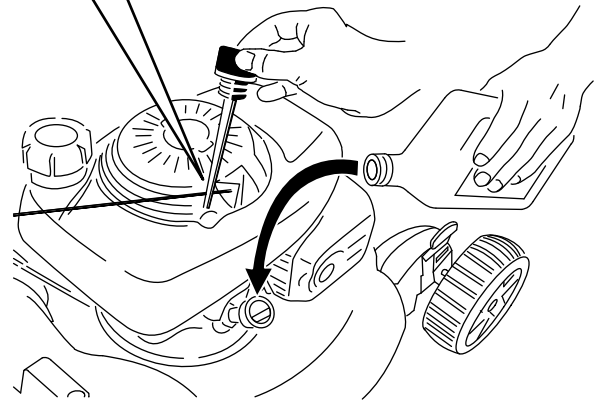
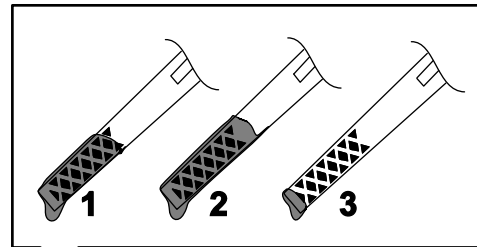


Figura 5

1. Marca 3. Bajo
2. Alto

3

Llenado del cárter de aceite

No se necesitan piezas

Procedimiento

Importante: La máquina se suministra sin aceite en el motor, pero incluye una botella de aceite. Antes de arrancar el motor, llene el motor de aceite.

Especificaciones del aceite del motor

Capacidad de aceite del motor	0.55 litros (18.6 onzas fluidas)
Viscosidad del aceite	Aceite detergente SAE 30 o SAE 10W-30
Clasificación API	SJ o superior

- Lleve la máquina a una superficie nivelada.
- Retire la varilla girando el tapón en el sentido contrario a las agujas del reloj y tirando del mismo (Figura 5).

- Con cuidado, vierta tres cuartas partes aproximadamente de la capacidad total de aceite del motor en el tubo de llenado.
- Espere 3 minutos para que el aceite se asiente en el motor.
- Limpie la varilla con un paño limpio.
- Introduzca la varilla en el tubo de llenado de aceite, pero no la enrosque, luego retire la varilla.
- Observe el nivel de aceite en la varilla (Figura 5).
 - Si el nivel de aceite de la varilla es demasiado bajo, vierta con cuidado una pequeña cantidad de aceite en el tubo de llenado, espere 3 minutos, y repita los pasos 5 a 7 hasta que el aceite llegue al nivel correcto.
 - Si el nivel de aceite de la varilla es demasiado alto, drene el exceso de aceite hasta que el nivel de aceite en la varilla sea correcto; consulte [Cómo cambiar el aceite del motor](#) (página 15).

Importante: Si el nivel de aceite del motor es demasiado bajo o demasiado alto y usted arranca el motor, puede dañar el motor.

- Instale la varilla firmemente en el tubo de llenado de aceite.

Importante: Cambie el aceite del motor después de las primeras 5 horas de operación, y después

cada año. Consulte [Cómo cambiar el aceite del motor \(página 15\)](#).

4

Ensamblaje de la bolsa de recogida

No se necesitan piezas

Procedimiento

1. Coloque la bolsa de recogida sobre el bastidor, según se muestra en la [Figura 6](#).

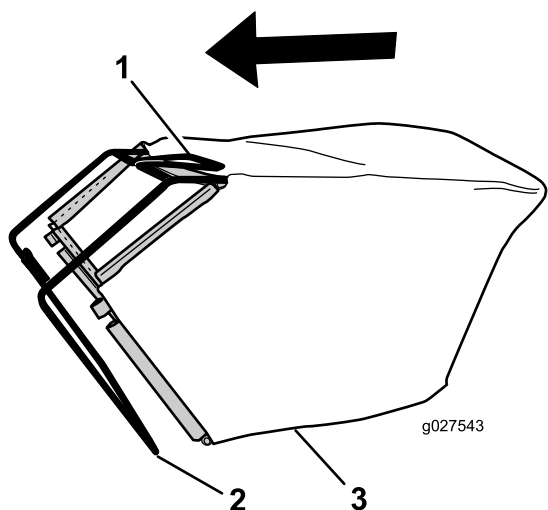


Figura 6

1. Manillar
2. Bastidor
3. Bolsa de recogida

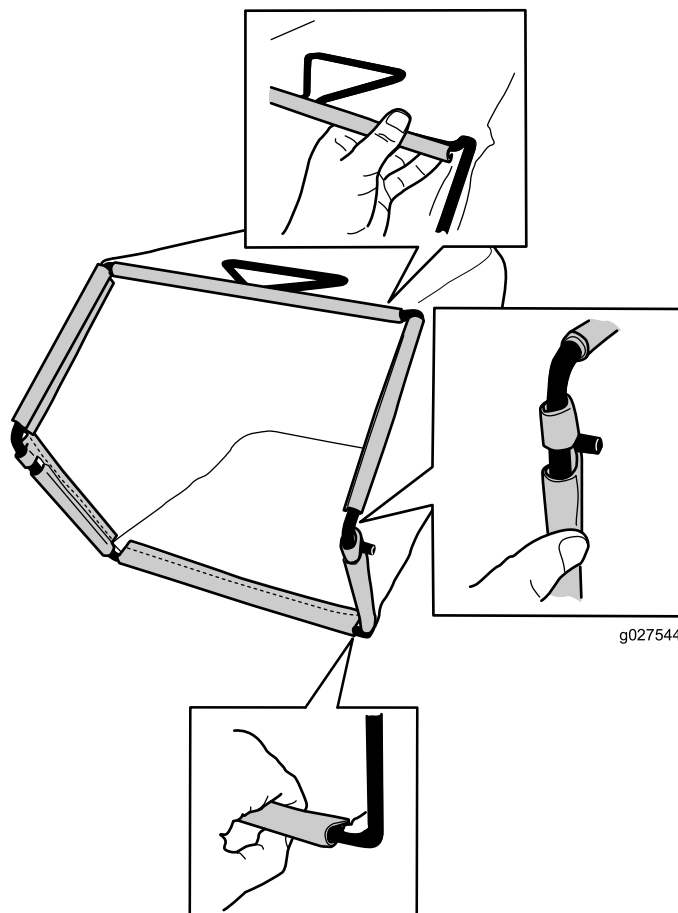


Figura 7

3. Enganche los canales superior y laterales de la bolsa en la parte superior y en los laterales del bastidor, respectivamente ([Figura 7](#)).

Nota: No coloque la bolsa sobre el manillar ([Figura 6](#)).

2. Enganche el canal inferior de la bolsa en la parte inferior del bastidor ([Figura 7](#)).

El producto

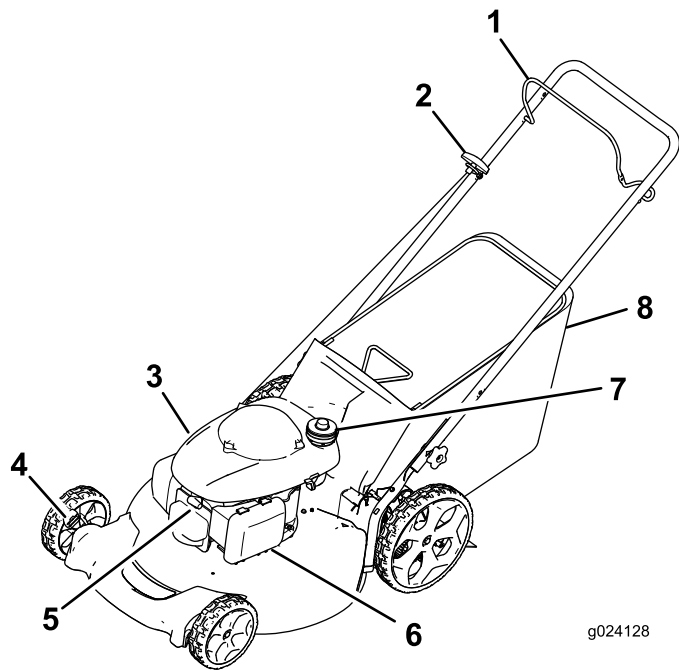


Figura 8

- | | |
|--|--------------------------------------|
| 1. Barra de control de las cuchillas | 5. Bujía |
| 2. Arrancador | 6. Limpiador de aire |
| 3. Varilla/tapón de llenado de aceite (no ilustrado) | 7. Tapón del depósito de combustible |
| 4. Palanca de altura de corte (2) | 8. Bolsa de recogida |

Operación

Nota: Los lados derecho e izquierdo de la máquina se determinan desde la posición normal del operador.

Antes del funcionamiento

Seguridad antes del uso

Seguridad en general

- Siempre apague la máquina, espere a que se detengan todas las piezas en movimiento, y deje que la máquina se enfríe antes de hacer trabajos de ajuste, revisión, limpieza o almacenamiento.
- Familiarícese con la operación segura del equipo, los controles del operador y las señales de seguridad.

- Compruebe que todos los protectores y dispositivos de seguridad, como por ejemplo deflectores y/o recogedores, están colocados y que funcionan correctamente.
- Inspeccione siempre la máquina para asegurarse de que las cuchillas y los pernos de las cuchillas no están desgastados o dañados.
- Inspeccione el área donde se va a utilizar la máquina, y retire cualquier objeto que pudiera interferir con el funcionamiento de la máquina o que pudiera ser arrojado por la máquina.
- Un contacto con la cuchilla en movimiento causará lesiones graves. No ponga los dedos debajo de la carcasa al ajustar la altura de corte.

Seguridad – combustible

- El combustible es extremadamente inflamable y altamente explosivo. Un incendio o una explosión provocados por el combustible puede causar quemaduras a usted y a otras personas así como daños materiales.
 - Para evitar que una carga estática incendie el combustible, coloque el recipiente y/o la máquina directamente sobre el suelo antes de repostar, no en un vehículo o sobre otro objeto.
 - Llene el depósito de combustible en el exterior, en una zona abierta y con el motor frío. Limpie cualquier combustible derramado.
 - No maneje combustible si está fumando, ni cerca de una llama desnuda o chispas.
 - No retire el tapón de combustible ni añada combustible al depósito si el motor está caliente o en marcha.
 - Si se derrama combustible, no intente arrancar el motor. Evite crear una fuente de ignición hasta que los vapores del combustible se hayan disipado.
 - Almacene el combustible en un recipiente homologado y manténgalo fuera del alcance de los niños.
- El combustible es dañino o mortal si es ingerido. La exposición a largo plazo a los vapores puede causar lesiones y enfermedades graves.
 - Evite la respiración prolongada de los vapores.
 - Mantenga las manos y la cara alejadas de la boquilla y de la abertura del depósito de combustible.
 - Mantenga alejado el combustible de los ojos y la piel.

Cómo llenar el depósito de combustible

- Para obtener los mejores resultados, utilice solamente gasolina fresca, sin plomo, de 87 o más octanos (método de cálculo $(R+M)/2$).
- Son aceptables los combustibles oxigenados con hasta el 10% de etanol o el 15% de MTBE por volumen.
- **No** utilice mezclas de gasolina con etanol (por ejemplo, E15 o E85) con más del 10% de etanol por volumen. Pueden provocar problemas de rendimiento o daños en el motor que pueden no estar cubiertos bajo la garantía.
- **No** utilice gasolina que contenga metanol.
- **No** guarde combustible ni en el depósito de combustible ni en los recipientes de combustible durante el invierno, a menos que haya añadido un estabilizador al combustible.
- **No** añada aceite a la gasolina.

Llene el depósito con gasolina fresca normal sin plomo, de una marca reconocida (Figura 9).

Importante: Para reducir los problemas de arranque, agregue estabilizador/acondicionador a combustible fresco, siguiendo las indicaciones del fabricante del estabilizador de combustible.

Consulte el manual del propietario del motor si desea más información.

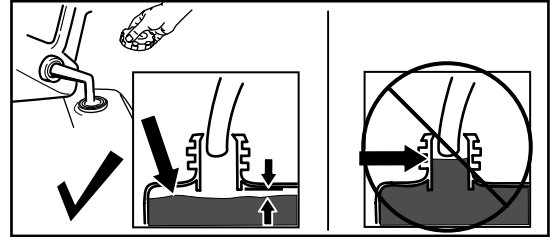


Figura 9

g230458

Comprobación del nivel de aceite del motor

Intervalo de mantenimiento: Cada vez que se utilice o diariamente

Importante: Si el nivel de aceite del motor es demasiado bajo o demasiado alto y usted arranca el motor, puede dañar el motor.

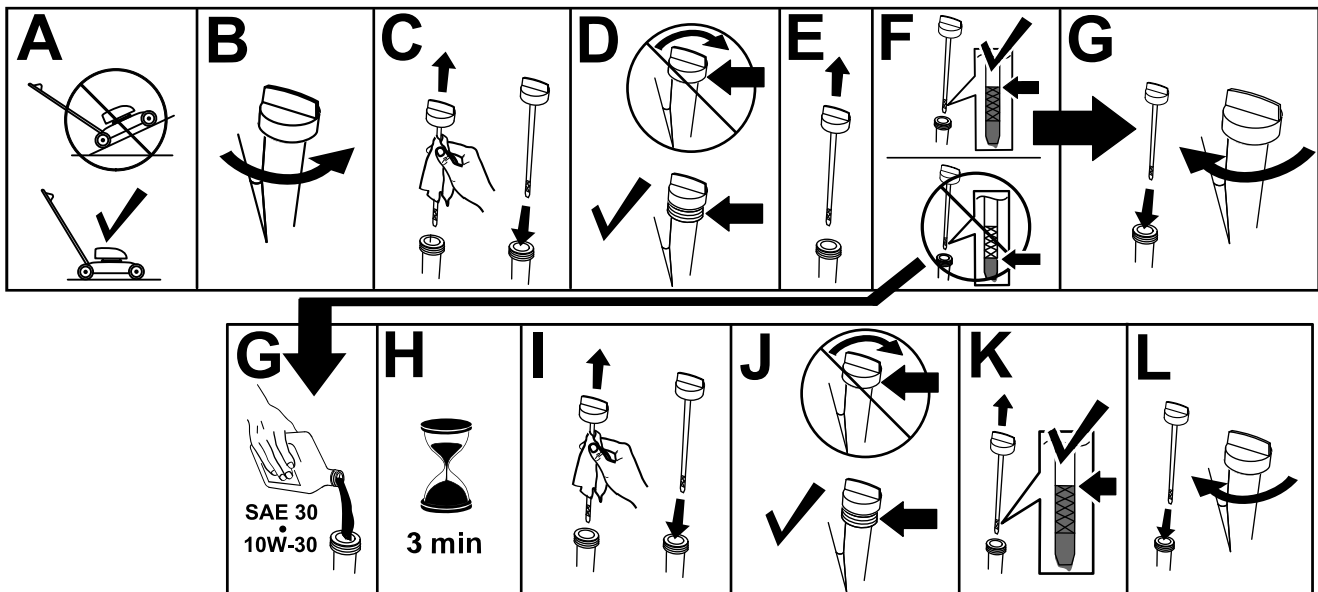


Figura 10

g235721

Ajuste de la altura de corte

⚠ CUIDADO

Si el motor ha estado en marcha, el silenciador estará muy caliente y puede causarle quemaduras graves.

Manténgase alejado del silenciador si éste está caliente.

Ajuste la altura de corte según desee. Ajuste las cuatro ruedas a la misma altura de corte (Figura 11).

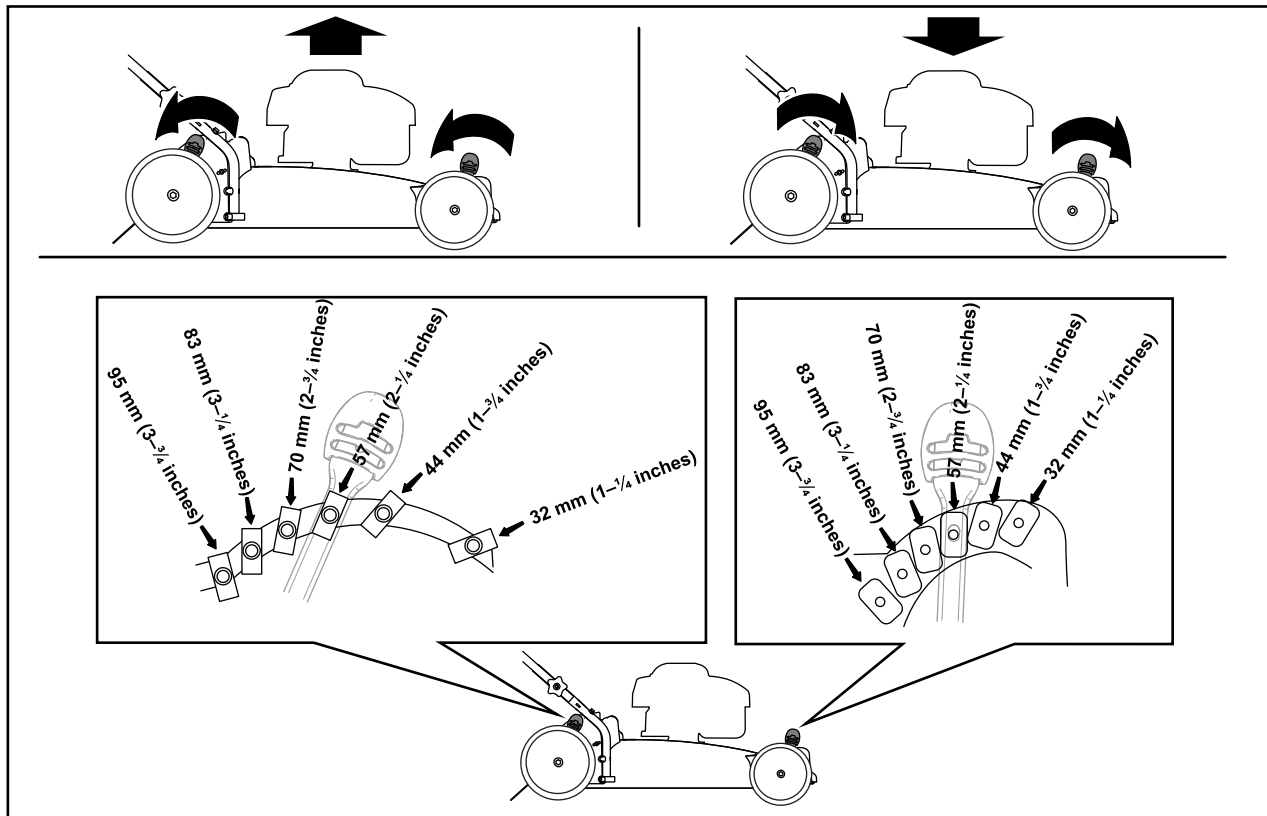


Figura 11

g228410

Durante el funcionamiento

Seguridad durante el uso

Seguridad en general

- Lleve ropa adecuada, incluyendo protección ocular, pantalón largo, calzado resistente y antideslizante, y protección auricular. Si tiene el pelo largo, recójase, y no lleve joyas o prendas sueltas.
- Dedique toda su atención al manejo de la máquina. No realice ninguna actividad que pudiera distraerle; de lo contrario, podrían producirse lesiones o daños materiales.
- No utilice la máquina si está enfermo, cansado, o bajo la influencia de alcohol o drogas.
- La cuchilla está muy afilada; cualquier contacto con la cuchilla puede causar lesiones personales graves. Pare el motor y espere a que se detengan todas las piezas en movimiento antes de abandonar el puesto del operador.
- Cuando suelta la barra de control de la cuchilla, el motor debe pararse y la cuchilla debe detenerse en 3 segundos o menos. Si no, deje de usar la máquina inmediatamente y póngase en contacto con un Servicio Técnico Autorizado.
- Mantenga a otras personas fuera de la zona de trabajo. Mantenga a los niños pequeños alejados de la zona de trabajo y bajo la atenta mirada de un adulto responsable que no sea el operador de

la máquina. Pare la máquina si alguien entra en la zona.

- Antes de desplazar la máquina hacia atrás, mire siempre hacia abajo y hacia atrás.
- Utilice la máquina únicamente con buena visibilidad y en condiciones meteorológicas apropiadas. No use la máquina cuando hay riesgo de rayos.
- La hierba mojada o las hojas mojadas pueden causarle graves lesiones si usted resbala y toca la cuchilla. Evite segar en condiciones húmedas.
- Extreme la precaución al acercarse a esquinas ciegas, arbustos, árboles u otros objetos que puedan taparle la vista.
- No dirija el material de descarga hacia nadie. Evite descargar material contra una pared u otra obstrucción; el material podría rebotar hacia usted. Pare la cuchilla o las cuchillas al cruzar superficies de grava.
- Esté alerta a agujeros, surcos, montículos, rocas u otros objetos ocultos. Los terrenos irregulares pueden hacer que usted pierda el equilibrio o resbale.
- Si la máquina golpea un objeto o empieza a vibrar, apague inmediatamente el motor, espere a que se detengan todas las piezas en movimiento, y desconecte el cable de la bujía antes de examinar la máquina en busca de daños. Haga todas las reparaciones necesarias antes de volver a utilizar la máquina.
- Antes de abandonar el puesto del operador, pare el motor y espere a que se detengan todas las piezas en movimiento.
- Si el motor ha estado en marcha, estará caliente y puede causarle quemaduras graves. Manténgase alejado del motor caliente.
- Haga funcionar el motor únicamente en zonas bien ventiladas. Los gases de escape contienen monóxido de carbono, que es letal si se inhala.
- Inspeccione frecuentemente los componentes del recogedor y del conducto de descarga para comprobar que no están desgastados o deteriorados, y sustitúyalos con piezas genuinas Lawn-Boy cuando sea necesario.

Seguridad en las pendientes

- Siegue de través las cuestas y pendientes, nunca hacia arriba o hacia abajo. Extreme las precauciones al cambiar de dirección en cuestas o pendientes.
- No siegue pendientes y cuestas excesivamente empinadas. Si no pisa firme, puede resbalar y caerse.
- Extreme las precauciones al segar cerca de terraplenes, fosas o taludes.

Arranque del motor

1. Sujete la barra de control de las cuchillas contra el manillar (Figura 12, A).
2. Tire del arrancador de retroceso (Figura 12, B).

Nota: Cuando tire del arrancador de retroceso, tire suavemente hasta que note resistencia; luego tire con fuerza. Deje que la cuerda vuelva lentamente al manillar.

Nota: Si la máquina no arranca después de varios intentos, póngase en contacto con el Servicio Técnico Autorizado.

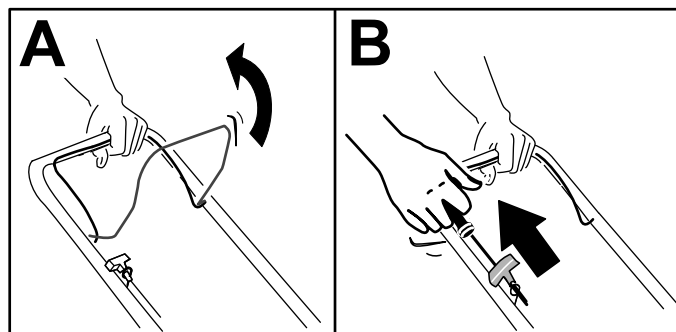


Figura 12

g277368

Parada del motor

Intervalo de mantenimiento: Cada vez que se utilice o diariamente

Para parar el motor, suelte la barra de control de la cuchilla.

Importante: Cuando usted suelte la barra de control de la cuchilla, el motor y la cuchilla deberán detenerse en 3 segundos o menos. Si no se paran correctamente, deje de usar la máquina inmediatamente y póngase en contacto con un Servicio Técnico Autorizado.

Reciclado de los recortes

Su máquina viene preparada de fábrica para picar los recortes de hierba y hojas y devolverlos al césped.

Si la bolsa de recogida está instalada en la máquina, retírela antes de proceder al picado de los recortes (mulching). Consulte [Cómo retirar la bolsa de recogida \(página 11\)](#).

Ensacado de los recortes

Utilice la bolsa de recogida si desea recoger los recortes de hierba y hojas del césped.

▲ ADVERTENCIA

Si la bolsa de recogida está desgastada, pueden arrojar pequeñas piedras y otros residuos similares hacia usted o hacia otras personas, provocando lesiones personales graves o la muerte.

Compruebe la bolsa de recogida con frecuencia. Si está dañada, instale una bolsa de recambio Lawn-Boy nueva.

▲ ADVERTENCIA

La cuchilla está muy afilada; cualquier contacto con la cuchilla puede causar lesiones personales graves.

Pare el motor y espere a que se detengan todas las piezas en movimiento antes de abandonar el puesto del operador.

Instalación de la bolsa de recogida

1. Levante el deflector trasero (Figura 13).

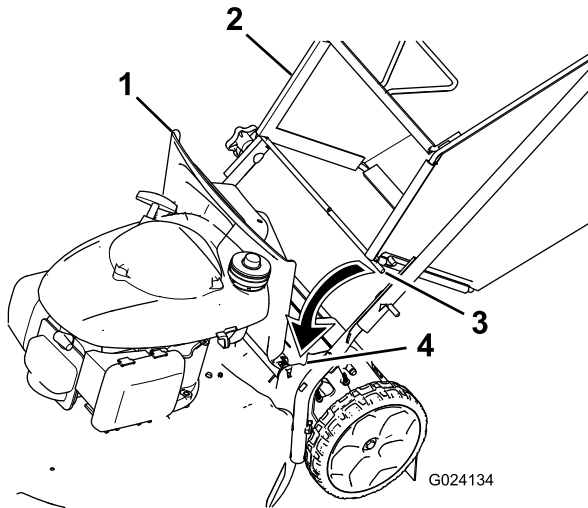


Figura 13

- | | |
|----------------------|--|
| 1. Deflector trasero | 3. Extremo de la varilla (2) |
| 2. Bolsa de recogida | 4. Muesca del soporte del manillar (2) |

2. Introduzca los extremos de la varilla de la bolsa de recogida en las muescas de los soportes del manillar (Figura 13).
3. Deje que el deflector trasero descance sobre la bolsa de recogida.

Cómo retirar la bolsa de recogida

1. Levante el deflector trasero (Figura 13).

2. Retire el asa de la bolsa de recogida de las muescas de los soportes del manillar y retire la bolsa de la máquina.
3. Cierre el deflector trasero.

Consejos de operación

Consejos generales de siega

- Inspeccione la zona en la que va a utilizar la máquina y retire cualquier objeto que pudiera ser arrojado por la máquina.
- Evite golpear objetos sólidos con la cuchilla. No siegue nunca por encima de objeto alguno.
- Si la máquina golpea un objeto o empieza a vibrar, apague inmediatamente el motor, retire la llave (en su caso), desconecte el cable de la bujía e inspeccione la máquina en busca de daños.
- Para obtener el mejor rendimiento, instale una cuchilla nueva antes de que empiece la temporada de siega.
- Sustituya la cuchilla cuando sea preciso por una cuchilla de repuesto Lawn-Boy.

Cómo cortar la hierba

- Corte solamente un tercio de la hoja de hierba cada vez. No corte a menos de 51 mm (2") a menos que la hierba sea escasa, o a finales del otoño cuando el ritmo de crecimiento de la hierba empieza a decaer.
- Cuando corte hierba de más de 15 cm (6") de alto, siegue primero usando la altura de corte más alta y camine despacio, luego siegue de nuevo a una altura menor para obtener el mejor aspecto del césped. Si la hierba es demasiado larga, puede atascar la máquina y hacer que se cale el motor.
- La hierba mojada y las hojas mojadas tienden a pegarse al suelo, y pueden atascar la máquina o hacer que se cale el motor. Evite segar en condiciones húmedas.
- Esté atento al posible riesgo de incendio en condiciones muy secas, siga todas las advertencias locales para casos de incendio y mantenga la máquina libre de hierba seca y residuos de hojas.
- Alterne la dirección de corte. Esto ayuda a dispersar los recortes en todo el césped, dando una fertilización más homogénea.
- Si el aspecto final del césped no es satisfactorio, pruebe con una o más de las técnicas siguientes:
 - Cambiar la cuchilla o mandarla a afilar.

- Caminar más despacio mientras siega.
- Elevar la altura de corte de la máquina.
- Cortar el césped con más frecuencia.
- Solapar los pasillos de corte en lugar de cortar un pasillo completo en cada pasada.

Cómo cortar hojas

- Después de segar el césped, asegúrese de que la mitad del césped se ve a través de la cobertura de hojas cortadas. Es posible que tenga que hacer más de una pasada por encima de las hojas.
- Si hay más de 13 cm (5") de hojas sobre el césped, siegue a una altura de corte superior y luego siegue nuevamente a la altura de corte deseada.
- Siegue más despacio si la máquina no corta las hojas suficientemente finas.

Después del funcionamiento

Seguridad tras el uso

Seguridad en general

- Siempre apague la máquina, espere a que se detengan todas las piezas en movimiento, y deje que la máquina se enfríe antes de hacer trabajos de ajuste, revisión, limpieza o almacenamiento.
- Limpie los recortes de hierba y los residuos de la máquina para ayudar a prevenir incendios. Limpie cualquier aceite o combustible derramado.
- No guarde nunca la máquina o un recipiente de combustible cerca de una llama desnuda, chispa o llama piloto, por ejemplo en un calentador de agua u otro electrodoméstico.

Seguridad durante el transporte

- Tenga cuidado al cargar o descargar la máquina.
- Evite que la máquina ruede.

Limpieza de los bajos de la máquina

Intervalo de mantenimiento: Después de cada uso

Para obtener resultados óptimos, limpie debajo de la máquina inmediatamente después de haber terminado la siega.

1. Baje la máquina a la altura de corte más baja.
2. Mueva la máquina a una superficie pavimentada nivelada.
3. Con el motor en marcha y la cuchilla engranada, dirija un chorro de agua por delante de la rueda trasera **derecha** (Figura 14).

Nota: El agua entrará en la zona de la cuchilla, arrastrando los recortes.

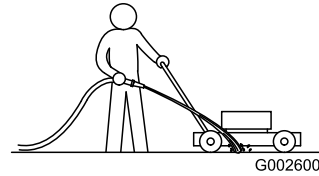


Figura 14

g002600

4. Cuando ya no salgan más recortes, cierre el grifo del agua y mueva la máquina a una zona seca.
5. Haga funcionar el motor durante unos minutos para secar la parte inferior de la máquina.

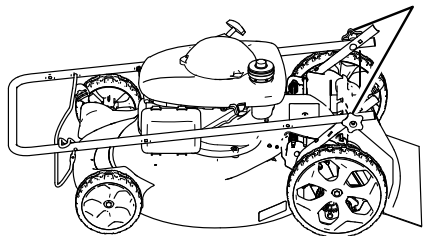
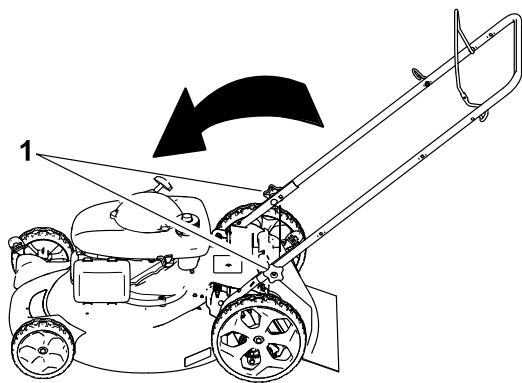
Cómo plegar el manillar

⚠ ADVERTENCIA

Si pliega o despliega el manillar de forma incorrecta, pueden dañarse los cables, creando condiciones de operación inseguras.

- **No dañe los cables al plegar o desplegar el manillar.**
- **Si un cable está dañado, póngase en contacto con el Servicio Técnico Autorizado.**

1. Afloje los pomos del manillar hasta que pueda mover el manillar libremente (Figura 15).



g024126

g024126

Figura 15

1. Pomo del manillar (2)

2. Mueva del manillar hacia adelante según se indica en [Figura 15](#).

Importante: Asegúrese de que los cables quedan por fuera de los pomos del manillar al plegar la sección superior.

Mantenimiento

Calendario recomendado de mantenimiento

Intervalo de mantenimiento y servicio	Procedimiento de mantenimiento
Después de las primeras 5 horas	<ul style="list-style-type: none">• Cómo cambiar el aceite del motor.
Cada vez que se utilice o diariamente	<ul style="list-style-type: none">• Compruebe el nivel de aceite del motor y añada más aceite si es necesario.• Asegúrese de que el motor se para en el plazo de 3 segundos después de soltar la barra de control de la cuchilla.• Inspeccione el filtro de aire; si está sucio o dañado, límpielo o sustitúyalo.
Después de cada uso	<ul style="list-style-type: none">• Limpie los recortes de hierba y la suciedad de debajo de la máquina.
Cada 100 horas	<ul style="list-style-type: none">• Limpie el sistema de refrigeración (consulte el manual del propietario del motor).
Cada 200 horas	<ul style="list-style-type: none">• Cambie el filtro de aire (cámbielo con más frecuencia en condiciones de mucho polvo).• Cambie la bujía.
Antes del almacenamiento	<ul style="list-style-type: none">• Vacíe el depósito de combustible antes de efectuar reparaciones, de acuerdo con las instrucciones, y antes del almacenamiento anual.
Cada año	<ul style="list-style-type: none">• Inspeccione el filtro de aire; si está sucio o dañado, límpielo o sustitúyalo (con más frecuencia en condiciones de mucho polvo).• Cómo cambiar el aceite del motor.• Cambie la cuchilla o haga que la afilen (más a menudo si se desafilan rápidamente).

Importante: Consulte los procedimientos adicionales de mantenimiento del manual del propietario del motor.

Seguridad en el mantenimiento

- Desconecte el cable de la bujía antes de realizar cualquier procedimiento de mantenimiento.
- Lleve guantes y protección ocular al realizar el mantenimiento de la máquina.
- La cuchilla está muy afilada; cualquier contacto con la cuchilla puede causar lesiones personales graves. Lleve guantes al realizar el mantenimiento de la cuchilla. No repare ni cambie la(s) cuchilla(s).
- No manipule nunca los dispositivos de seguridad. Compruebe regularmente que funcionan correctamente.
- Al volcar la máquina, puede haber fugas de combustible. El combustible es inflamable y explosivo, y puede causar lesiones personales. Deje funcionar el motor hasta que no quede combustible, o retire la gasolina con una bomba de mano; nunca utilice un sifón.
- Para asegurar el rendimiento óptimo de la máquina, utilice solamente piezas de recambio y accesorios genuinos de Lawn-Boy. Las piezas de recambio y accesorios de otros fabricantes

podrían ser peligrosos, y su uso podría invalidar la garantía del producto.

Preparación para el mantenimiento

1. Pare el motor y espere a que se detengan todas las piezas en movimiento.
2. Desconecte el cable de la bujía ([Figura 16](#)) antes de realizar cualquier procedimiento de mantenimiento.

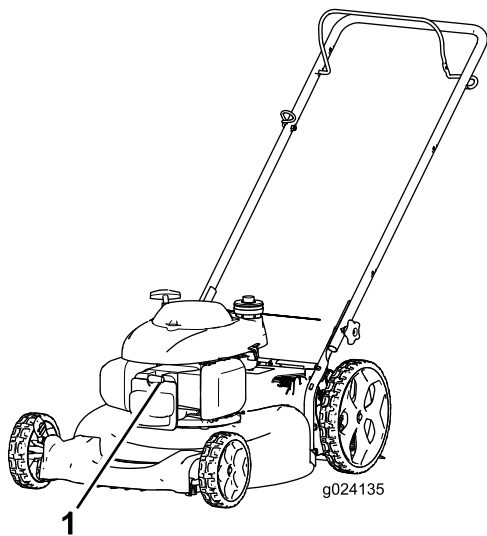


Figura 16

1. Cable de la bujía

3. Después de realizar los procedimientos de mantenimiento, conecte el cable de la bujía a la bujía.

Importante: Antes de inclinar la máquina para cambiar el aceite o sustituir la cuchilla, deje que se vacíe el depósito de combustible con el uso normal. Si es imprescindible inclinar la máquina antes de que se acabe el combustible, utilice una bomba manual para retirar el combustible. Siempre coloque la máquina de lado (con la varilla de aceite hacia abajo).

Mantenimiento del filtro de aire

Intervalo de mantenimiento: Cada vez que se utilice o diariamente—Inspeccione el filtro de aire; si está sucio o dañado, límpielo o sustitúyalo.

Cada año—Inspeccione el filtro de aire; si está sucio o dañado, límpielo o sustitúyalo (con más frecuencia en condiciones de mucho polvo).

Cada 200 horas—Cambie el filtro de aire (cámbielo con más frecuencia en condiciones de mucho polvo).

1. Presione hacia abajo los cierres de la parte superior de la tapa del filtro de aire (Figura 17).

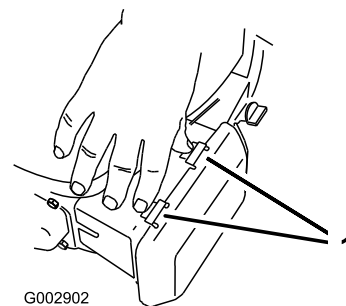


Figura 17

1. Cierres
2. Abra la tapa.
3. Retire el filtro de aire (Figura 18).

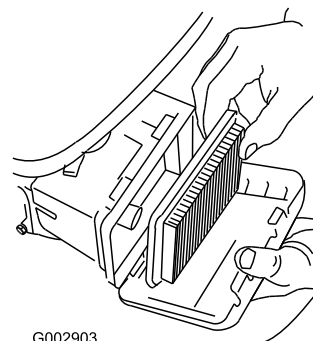


Figura 18

4. Si el filtro de aire está dañado o humedecido con aceite o combustible, sustitúyalo.
5. Si el filtro de aire está sucio, golpéelo varias veces en una superficie dura o pase aire comprimido a menos de 2.07 bar (30 psi) a través del lado del filtro que está frente al motor.

Nota: No utilice un cepillo para limpiar el filtro; el cepillado obliga a la suciedad a penetrar en las fibras.

6. Elimine cualquier suciedad del cuerpo del filtro de aire y la tapa con un trapo húmedo. **No deje que la suciedad penetre en el conducto de aire.**
7. Instale el filtro de aire.
8. Cierre la tapa.

Cómo cambiar el aceite del motor

Intervalo de mantenimiento: Cada año

Después de las primeras 5 horas

Nota: Haga funcionar el motor durante unos minutos antes de cambiar el aceite para calentar el aceite.

El aceite caliente fluye mejor y transporta más contaminantes.

Especificaciones del aceite del motor

Capacidad de aceite del motor	0.55 litros (18.6 onzas fluidas)
Viscosidad del aceite	Aceite detergente SAE 30 o SAE 10W-30
Clasificación API	SJ o superior

1. Lleve la máquina a una superficie nivelada.
2. Consulte [Preparación para el mantenimiento \(página 14\)](#).
3. Retire la varilla girando el tapón en el sentido contrario a las agujas del reloj y tirando del mismo ([Figura 19](#)).

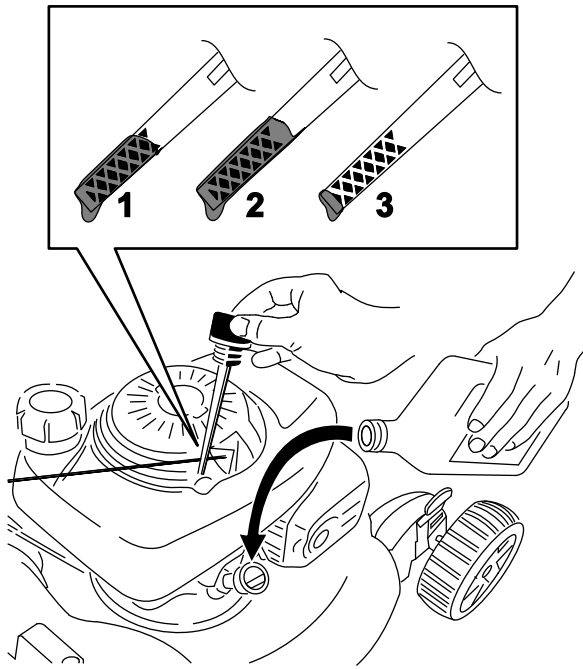


Figura 19

g238622

1. Marca
 2. Alto
 3. Bajo
4. Ponga la máquina de lado (con el filtro de aire hacia arriba) para drenar el aceite usado del tubo de llenado de aceite ([Figura 19](#)).

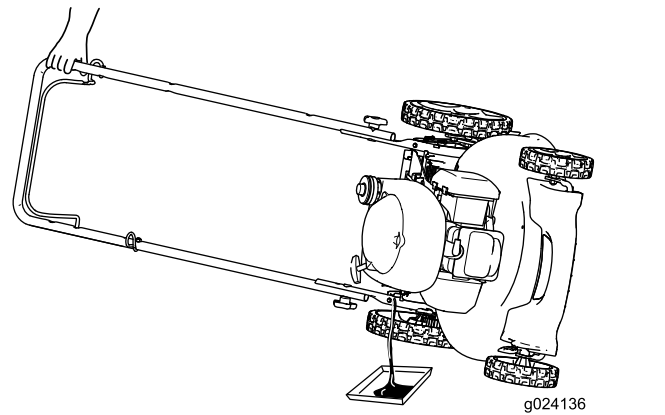


Figura 20

g024136

5. Después de drenar el aceite usado, ponga la máquina en su posición de uso.
6. Con cuidado, vierta tres cuartas partes aproximadamente de la capacidad total de aceite del motor en el tubo de llenado.
7. Espere 3 minutos para que el aceite se asiente en el motor.
8. Limpie la varilla con un paño limpio.
9. Introduzca la varilla en el tubo de llenado de aceite, **pero no la enrosque**; luego retire la varilla.
10. Observe el nivel de aceite en la varilla ([Figura 19](#)).
 - Si el nivel de aceite de la varilla es demasiado bajo, vierta con cuidado una pequeña cantidad de aceite en el tubo de llenado, espere 3 minutos, y repita los pasos [8](#) a [10](#) hasta que el nivel de aceite en la varilla sea correcto.
 - Si el nivel de aceite de la varilla es demasiado alto, drene el exceso de aceite hasta que el nivel de aceite en la varilla sea correcto.
11. Instale la varilla firmemente en el tubo de llenado de aceite.
12. Recicle correctamente el aceite usado.

Importante: Si el nivel de aceite del motor es demasiado bajo o demasiado alto y usted arranca el motor, puede dañar el motor.

Cómo cambiar la cuchilla

Intervalo de mantenimiento: Cada año

Importante: Usted necesitará una llave dinamométrica para instalar la cuchilla correctamente. Si no dispone de una llave dinamométrica o prefiere no realizar este procedimiento, póngase en contacto con el Servicio Técnico Autorizado.

Examine la cuchilla cada vez que se acabe el combustible. Si la cuchilla está dañada o agrietada, sustitúyala inmediatamente. Si el filo de la cuchilla está romo o mellado, mande a afilar la cuchilla o cámbiela.

⚠ ADVERTENCIA

La cuchilla está muy afilada; cualquier contacto con la cuchilla puede causar lesiones personales graves.

Lleve guantes al realizar el mantenimiento de la cuchilla.

1. Consulte [Preparación para el mantenimiento \(página 14\)](#).
2. Coloque la máquina de lado con el filtro de aire hacia arriba.
3. Utilice un bloque de madera para inmovilizar la cuchilla ([Figura 21](#)).

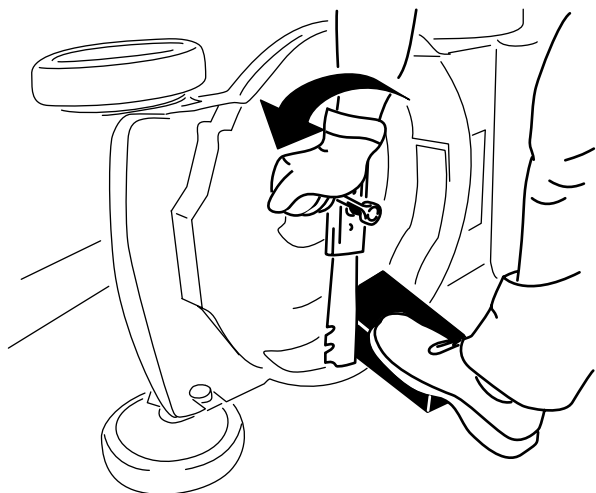


Figura 21

g231389

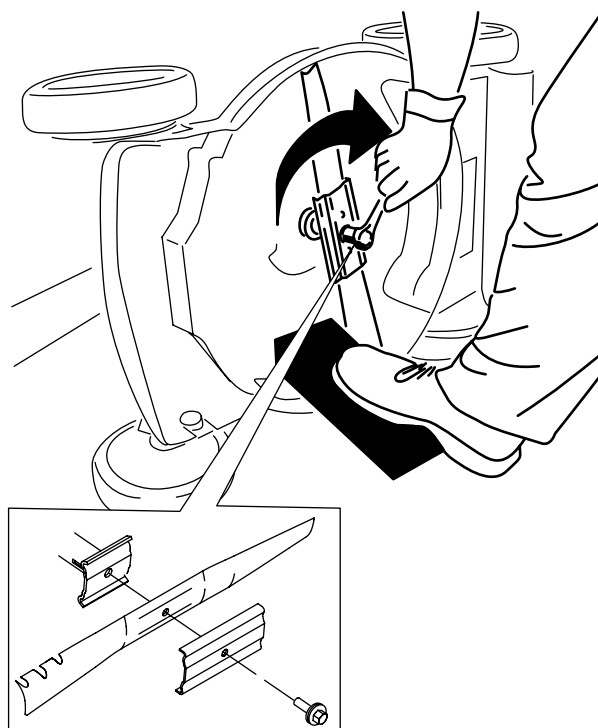


Figura 22

g231390

Importante: Coloque la cuchilla con los extremos curvos orientados hacia la carcasa de la máquina.

6. Utilice una llave dinamométrica para apretar el perno de la cuchilla a 82 N·m (60 pies-libra).

Importante: Un perno apretado a 82 N·m (60 pies-libra) queda muy firme. Mientras sujeta la cuchilla con un bloque de madera, aplique toda su fuerza a la llave y apriete el perno firmemente. Será muy difícil apretar este perno demasiado.

4. Retire la cuchilla, conservando todos los herrajes de montaje ([Figura 21](#)).
5. Instale la cuchilla nueva y todos los herrajes de montaje ([Figura 22](#)).

Almacenamiento

Almacene la máquina en un lugar fresco, limpio y seco.

Seguridad durante el almacenamiento

Siempre apague la máquina, espere a que se detengan todas las piezas en movimiento, y deje que la máquina se enfríe antes de hacer trabajos de ajuste, revisión, limpieza o almacenamiento.

Preparación de la máquina para el almacenamiento

1. En el último repostaje del año, añada estabilizador al combustible siguiendo las instrucciones del fabricante del motor.
2. Deseche adecuadamente cualquier combustible sobrante. Recíclelo según la normativa local, o utilícelo en su automóvil.

Importante: La presencia de combustible viejo en el depósito de combustible es la principal causa de dificultades en el arranque. No guarde el combustible sin estabilizador durante más de 30 días, y no guarde combustible estabilizado durante más tiempo del recomendado por el fabricante del estabilizador de combustible.

3. Haga funcionar la máquina hasta que el motor se pare por haberse quedado sin gasolina.
4. Arranque el motor de nuevo y deje que funcione hasta que se apague. Cuando ya no se puede arrancar el motor, está suficientemente seco.
5. Desconecte el cable de la bujía y enganche el cable en el poste de retención (en su caso).
6. Retire la bujía, añada 30 ml (1 fl oz) de aceite de motor a través del orificio de la bujía, y tire de la cuerda de arranque lentamente varias veces para que se distribuya el aceite por el cilindro, con el fin de evitar la corrosión durante el periodo de inactividad.
7. Instale la bujía sin apretarla.
8. Apriete todos los pernos, tuercas y tornillos.

Después del almacenamiento

1. Compruebe y apriete todos los cierres.
2. Retire la bujía y haga girar el motor rápidamente usando el arrancador de retroceso para eliminar el exceso de aceite del cilindro.
3. Instale la bujía y apriétela con una llave dinamométrica a 20 N·m (15 pies-libra).
4. Lleve a cabo cualquier procedimiento de mantenimiento; consulte [Mantenimiento \(página 14\)](#).
5. Compruebe el nivel de aceite del motor; consulte [Comprobación del nivel de aceite del motor \(página 8\)](#).
6. Llene el depósito de combustible con combustible fresco; consulte [Cómo llenar el depósito de combustible \(página 8\)](#).
7. Conecte el cable de la bujía.

Información sobre las Advertencias de la Proposición 65 de California

¿Qué significa esta advertencia?

Puede ver un producto a la venta que lleva una etiqueta de advertencia como la siguiente:



ADVERTENCIA: Cáncer y daños reproductivos – www.p65Warnings.ca.gov.

¿Qué es la Proposición 65?

La Proposición 65 afecta a cualquier empresa que tenga presencia en California, que venda productos en California, o que fabrique productos que podrían ser introducidos o vendidos en California. Esta ley exige que el Gobernador de California mantenga y publique una lista de sustancias químicas identificadas como causantes de cáncer, defectos de nacimiento y/u otros daños reproductivos. La lista, que se actualiza anualmente, incluye cientos de productos químicos que se encuentran en muchos artículos de uso diario. El propósito de la Proposición 65 es informar al público sobre la exposición a estos productos químicos.

La Proposición 65 no prohíbe la venta de productos que contengan estos productos químicos, sino que requiere la presencia de advertencias en el producto, el envase y la documentación suministrada con el producto. Además, una advertencia de la Proposición 65 no significa que el producto contravenga ninguna norma o requisito de seguridad. De hecho, el gobierno de California ha aclarado que una advertencia bajo la Proposición 65 "no es lo mismo que una decisión legal sobre la 'seguridad' o la 'inseguridad' de un producto". Muchos de estos productos químicos han sido utilizados durante años en productos de uso diario sin que se hayan producido daños documentados. Para obtener más información, visite <https://oag.ca.gov/prop65/faqs-view-all>.

Una advertencia de la Proposición 65 significa que una empresa (1) ha evaluado la exposición y ha concluido que supera el nivel de "sin riesgo significativo"; o (2) ha optado por proporcionar una advertencia basándose en sus conocimientos respecto a la presencia de un producto químico de los incluidos en la lista, sin intentar evaluar la exposición.

¿Se aplica esta ley en todas partes?

Las advertencias de la Proposición 65 sólo son exigidas bajo la legislación de California. Estas advertencias se ven por toda California en una gran variedad de entornos, incluyendo entre otros restaurantes, tiendas de alimentación, hoteles, escuelas y hospitales, y en una amplia variedad de productos. Además, algunos minoristas de Internet y de la venta por correo incluyen advertencias de la Proposición 65 en sus sitios web o en sus catálogos.

¿Qué diferencia hay entre las advertencias de California y los límites federales?

Las normas de la Proposición 65 son a menudo más exigentes que las normas federales o internacionales. Varias sustancias requieren una advertencia bajo la Proposición 65 a niveles muy inferiores a los límites federales. Por ejemplo, el nivel exigido por la Proposición 65 para las advertencias sobre el plomo es de 0.5 µg/día, que es muy inferior a lo que exigen las normas federales e internacionales.

¿Por qué no llevan la advertencia todos los productos similares?

- Los productos vendidos en California deben llevar etiquetas bajo la Proposición 65, mientras que otros productos similares que se venden en otros lugares no las necesitan.
- Una empresa puede estar obligada a incluir advertencias de Proposición 65 en sus productos como condición de un acuerdo tras un procedimiento legal relacionado con la Proposición 65, pero otras empresas que fabrican productos similares no tienen necesariamente la misma obligación.
- La aplicación de la Proposición 65 no es uniforme.
- Algunas empresas pueden optar por no proporcionar advertencias porque concluyen que no están obligadas a hacerlo bajo la Proposición 65; la falta de advertencias en un producto no significa que el producto esté libre de los productos químicos incluidos en la lista a niveles similares.

¿Por qué incluye Lawn-Boy esta advertencia?

Lawn-Boy ha optado por proporcionar al consumidor la mayor cantidad posible de información para que pueda tomar decisiones informadas sobre los productos que compra y utiliza. Lawn-Boy proporciona advertencias en ciertos casos basándose en sus conocimientos sobre la presencia de uno o más productos químicos de la lista, sin evaluar el nivel de exposición, puesto que la lista no incluye límites de exposición para todos los productos químicos que contiene. Aunque la exposición que provocan los productos Lawn-Boy puede ser insignificante, o estar dentro de los límites de la categoría "sin riesgo significativo", Lawn-Boy ha optado por proporcionar las advertencias de la Proposición 65 por simple precaución. Además, si Lawn-Boy no proporcionara estas advertencias, podría ser demandada por el Estado de California o por particulares bajo la Proposición 65, y estar sujeta a importantes sanciones.



Tondeuse déchiqueteuse/à bac arrière de 53 cm (21 pouces)

N° de modèle 10736—N° de série 403400000 et suivants

N° de modèle 10736HD—N° de série 404320000 et suivants

Manuel de l'utilisateur

Introduction

Cette tondeuse à lame rotative autotractée est destinée au grand public. Elle est principalement conçue pour tondre les pelouses entretenues régulièrement dans les terrains privés. L'utilisation de ce produit à d'autres fins que celle qui est prévue peut être dangereuse pour l'utilisateur et les personnes à proximité.

Lisez attentivement cette notice pour apprendre comment utiliser et entretenir correctement votre produit, et éviter de l'endommager ou de vous blesser. Vous êtes responsable de l'utilisation sûre et correcte du produit.

Pour plus d'informations, y compris des conseils de sécurité, des documents de formation, des renseignements concernant un accessoire, pour obtenir l'adresse d'un dépositaire ou pour enregistrer votre produit, rendez-vous sur le site www.Lawn-Boy.com.

Lorsque vous contactez un distributeur ou un réparateur Lawn-Boy agréé pour l'entretien de votre machine, pour vous procurer des pièces Lawn-Boy d'origine ou pour obtenir des renseignements complémentaires, vous devez lui fournir les numéros de modèle et de série du produit. La **Figure 1** indique l'emplacement des numéros de modèle et de série du produit. Inscrivez les numéros dans l'espace réservé à cet effet.

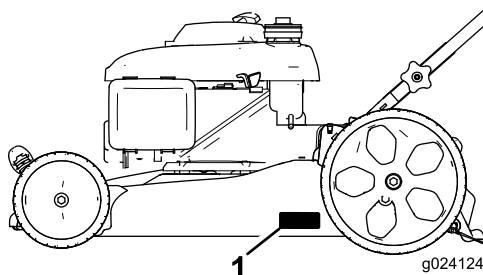


Figure 1

1. Emplacement des numéros de modèle et de série

N° de modèle _____
N° de série _____

Les mises en garde de ce manuel soulignent des dangers potentiels et sont signalées par le symbole de sécurité (**Figure 2**), qui indique un danger pouvant entraîner des blessures graves ou mortelles si les précautions recommandées ne sont pas respectées.



Figure 2

Symbole de sécurité

g000502

Ce manuel utilise deux termes pour faire passer des renseignements essentiels. **Important**, pour attirer l'attention sur des renseignements mécaniques spécifiques, et **Remarque**, pour souligner une information d'ordre général méritant une attention particulière.

Pour éviter le gaspillage et protéger l'environnement, votre produit n'est pas automatiquement fourni avec une goulotte d'éjection latérale (la plupart des clients préfèrent déchiqueter ou récupérer les déchets de coupe dans le bac de ramassage). Vous pouvez demander une goulotte d'éjection latérale quand vous enregistrez votre sur www.Lawn-Boy.com. Cochez simplement la case correspondante sur le formulaire d'enregistrement en ligne et Lawn-Boy vous enverra une goulotte d'éjection latérale sans frais supplémentaires. Veuillez prévoir un délai de 1 à 2 semaines pour la livraison.

Vous commettez une infraction à la section 4442 ou 4443 du Code des ressources publiques de Californie si vous utilisez cette machine dans une zone boisée, broussailleuse ou recouverte d'herbe, à moins d'équiper le moteur d'un pare-étincelles en bon état, tel que défini dans la section 4442, ou que le moteur soit construit, équipé et entretenu correctement pour prévenir les incendies.



Le manuel du propriétaire du moteur ci-joint est fourni à titre informatif concernant la réglementation de l'Agence américaine pour la protection de l'environnement (EPA) et la réglementation antipollution de l'état de Californie relative aux systèmes antipollution, à leur entretien et à leur garantie. Vous pouvez vous en procurer un nouvel exemplaire en vous adressant au constructeur du moteur.

Couple brut ou net : le couple brut ou net de ce moteur a été calculé en laboratoire par le constructeur du moteur selon la norme SAE J1940 ou J2723 de la Society of Automotive Engineers (SAE). Étant configuré pour satisfaire aux normes de sécurité, antipollution et d'exploitation, le moteur monté sur cette classe de tondeuse aura un couple effectif nettement inférieur. Reportez-vous au manuel du constructeur du moteur fourni avec la machine.

▲ ATTENTION

CALIFORNIE

Proposition 65 - Avertissement

Les gaz d'échappement de ce produit contiennent des substances chimiques considérées par l'état de Californie comme susceptibles de provoquer des cancers, des malformations congénitales et autres troubles de la reproduction.

L'utilisation de ce produit peut entraîner une exposition à des substances chimiques considérées par l'état de Californie comme capables de provoquer des cancers, des anomalies congénitales ou d'autres troubles de la reproduction.

Table des matières

Introduction	1
Sécurité	2
Consignes de sécurité générales.....	2
Autocollants de sécurité et d'instruction	4
Mise en service	5
1 Fixation du guidon	5
2 Montage du câble du lanceur dans le guide	5
3 Plein d'huile moteur	6
4 Montage du bac à herbe	7
Vue d'ensemble du produit	8
Utilisation	8
Avant l'utilisation	8
Consignes de sécurité avant l'utilisation.....	8
Remplissage du réservoir de carburant.....	9

Contrôle du niveau d'huile moteur.....	9
Réglage de la hauteur de coupe	10
Pendant l'utilisation	10
Consignes de sécurité pendant l'utilisation	10
Démarrage du moteur.....	11
Arrêt du moteur.....	11
Déchiquetage	11
Ramassage de l'herbe coupée	12
Conseils d'utilisation	12
Après l'utilisation	13
Consignes de sécurité après l'utilisation.....	13
Nettoyage du dessous de la machine.....	13
Pliage du guidon	13
Entretien	15
Programme d'entretien recommandé	15
Consignes de sécurité pendant l'entretien	15
Préparation à l'entretien.....	15
Entretien du filtre à air	16
Vidange de l'huile moteur.....	16
Remplacement de la lame	17
Remisage	19
Consignes de sécurité relatives au remisage	19
Préparation de la machine au remisage	19
Remise en service de la machine après remisage	19

Sécurité

Cette machine est conçue en conformité avec la norme ANSI B71.1–2017.


Consignes de sécurité générales

Ce produit peut sectionner les mains ou les pieds et projeter des objets. Respectez toujours toutes les consignes de sécurité pour éviter des blessures graves.

- Vous devez lire, comprendre et respecter toutes les instructions et mises en garde qui figurent dans ce *Manuel de l'utilisateur* ainsi que sur la machine et les accessoires avant de démarrer le moteur.
- Ne placez pas les mains ou les pieds près des pièces mobiles ou sous la machine. Ne vous tenez pas devant l'ouverture d'éjection.
- N'utilisez pas la machine s'il manque des capots ou d'autres dispositifs de protection, ou s'ils sont en mauvais état.
- N'admettez personne, notamment les enfants, dans le périmètre de travail. N'autorisez jamais un enfant à utiliser la machine. Seules les personnes responsables, formées à l'utilisation de

la machine, ayant lu et compris les instructions et physiquement aptes sont autorisées à utiliser la machine.

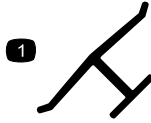
- Arrêtez la machine, coupez le moteur et attendez l'arrêt complet de toutes les pièces mobiles avant de faire l'entretien, de faire le plein de carburant ou de déboucher la machine.

L'usage ou l'entretien incorrect de cette machine peut occasionner des accidents. Pour réduire les risques d'accidents et de blessures, respectez les consignes de sécurité qui suivent. Tenez toujours compte des mises en garde signalées par le symbole de sécurité  et la mention Prudence, Attention ou Danger. Le non respect de ces instructions peut entraîner des blessures graves voire mortelles.

Autocollants de sécurité et d'instruction



Des autocollants de sécurité et des instructions bien visibles par l'opérateur sont placés près de tous les endroits potentiellement dangereux. Remplacez tout autocollant endommagé ou manquant.



decaloemmark

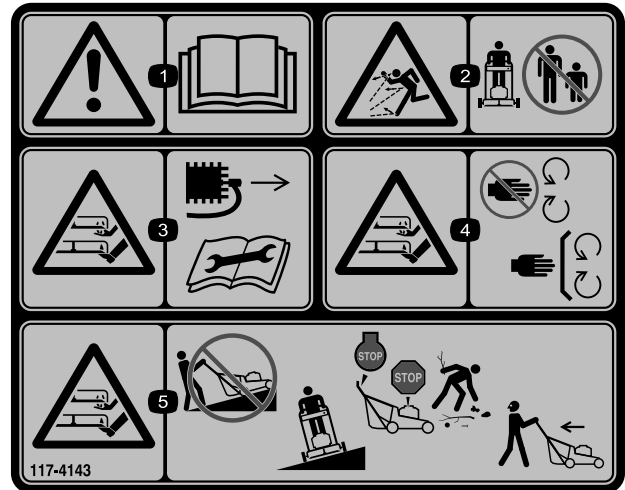
Marque du fabricant

1. Cette marque identifie la lame comme provenant du constructeur d'origine de la machine.



94-8072

decal94-8072



decal117-4143

117-4143

1. Attention – lisez le *Manuel de l'utilisateur*.
2. Risque de projections d'objets – n'autorisez personne à s'approcher de la machine.
3. Risque de coupure/mutilation des mains ou des pieds par la lame du tablier de coupe – débranchez le fil de la bougie et lisez les instructions avant d'entreprendre un entretien ou une révision.
4. Risque de coupure/mutilation des mains et pieds par la lame – ne vous approchez pas des pièces mobiles et gardez toutes les protections en place.
5. Risque de coupure/mutilation des mains et pieds par la lame – ne tondez pas dans le sens de la pente, mais toujours transversalement; arrêtez la machine et coupez le moteur, ramassez les débris avant de tonde; vérifiez toujours si la voie est libre juste derrière la machine et sur sa trajectoire avant de faire marche arrière.

⚠ WARNING: Cancer and Reproductive Harm - www.P65Warnings.ca.gov.
For more information, please visit www.tccoCAProp65.com

CALIFORNIA SPARK ARRESTER WARNING

Operation of this equipment may create sparks that can start fires around dry vegetation. A spark arrester may be required. The operator should contact local fire agencies for laws or regulations relating to fire prevention requirements.

133-8062

decal133-8062

133-8062

Mise en service

Important: Retirez et mettez au rebut la pellicule de plastique qui protège le moteur ainsi que tout autre emballage ou élément en plastique utilisé sur la machine.

1

Fixation du guidon

Aucune pièce requise

Procédure

⚠ ATTENTION

Vous risquez d'endommager les câbles et de rendre l'utilisation de la machine dangereuse si vous ne pliez ou ne dépliez pas le guidon correctement.

- Veillez à ne pas endommager les câbles en pliant ou dépliant le guidon.
- Si un câble est endommagé, adressez-vous à un dépositaire-réparateur agréé.

1. Retirez et conservez les boutons du guidon sur le carter de la machine (Figure 3).

Important: Faites passer les câbles à l'extérieur du guidon pendant que vous montez le guidon.

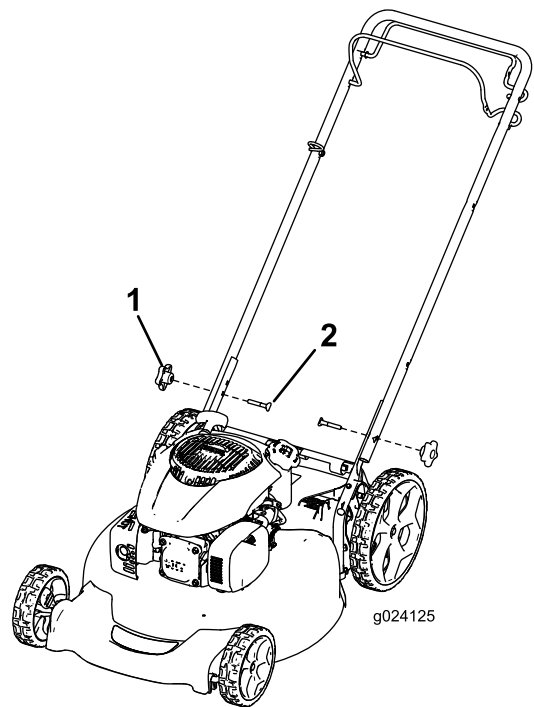


Figure 3

g024125

1. Bouton du guidon (2)
2. Boulon (2)

2. Placez le guidon en position d'utilisation (Figure 3).
3. Posez les boutons du guidon qui ont été retirés à l'étape 1 et serrez-les fermement à la main.

2

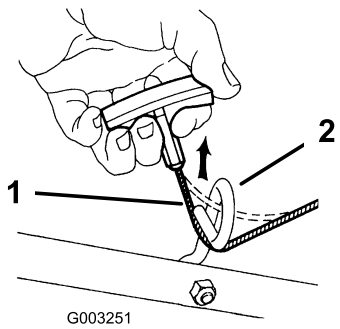
Montage du câble du lanceur dans le guide

Aucune pièce requise

Procédure

Important: Pour démarrer le moteur facilement et en toute sécurité chaque fois que vous utilisez la machine, installez le câble du lanceur dans le guide.

Maintenez la barre de commande de la lame contre la partie supérieure du guidon et tirez le câble à travers le guide sur le guidon (Figure 4).

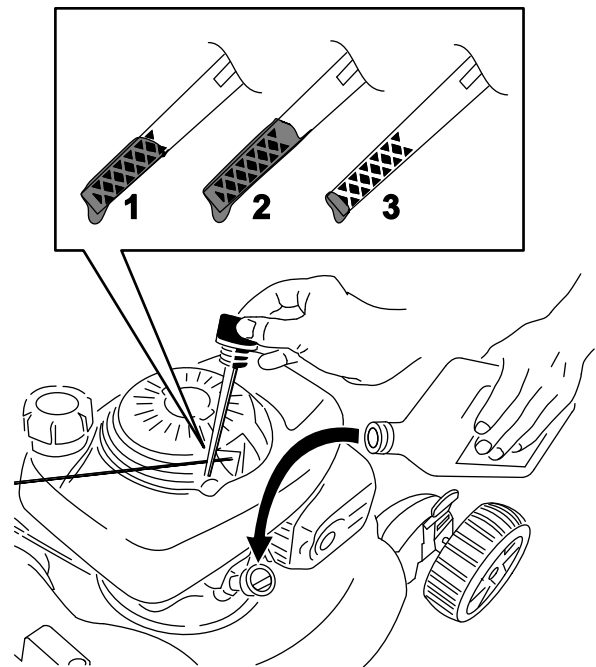


G003251

g003251

Figure 4

1. Câble du lanceur
2. Guide du lanceur



g238622

Figure 5

1. Niveau max.
2. Niveau trop élevé
3. Niveau min.

3

Plein d'huile moteur

Aucune pièce requise

Procédure

Important: À la livraison de la machine, le carter moteur est vide, mais un bidon d'huile moteur est fourni. Avant de mettre le moteur en marche, faites le plein d'huile moteur.

Huile moteur spécifiée

Capacité d'huile moteur	0,55 L (18,6 oz liq.)
Viscosité d'huile	Huile détergente SAE 30 ou SAE 10W-30
Classe de service API	SJ ou mieux

1. Amenez la machine sur un sol plat et horizontal.
2. Tournez le bouchon dans le sens antihoraire et sortez la jauge (Figure 5).

3. Versez lentement environ 75 % de la capacité d'huile moteur dans le tube de remplissage d'huile.
4. Attendez 3 minutes que l'huile se stabilise dans le moteur.
5. Essuyez la jauge sur un chiffon propre.
6. Insérez la jauge au fond du tube de remplissage, mais sans la visser, puis ressortez-la.
7. Vérifiez le niveau d'huile indiqué par la jauge (Figure 5).
 - Si le niveau n'atteint pas le repère minimum sur la jauge, versez lentement une petite quantité d'huile dans le tube de remplissage, attendez 3 minutes puis répétez les opérations 5 à 7 jusqu'à atteindre le niveau d'huile correct.
 - Si le niveau d'huile est trop élevé, vidangez l'excédent d'huile jusqu'à obtention du niveau d'huile correct sur la jauge; voir [Vidange de l'huile moteur \(page 16\)](#).

Important: Si vous faites tourner le moteur alors que le niveau d'huile dans le moteur est trop bas ou trop élevé, vous risquez d'endommager le moteur.

8. Insérez et vissez solidement la jauge dans le tube de remplissage.

Important: Vidangez l'huile moteur après les 5 premières heures de fonctionnement, puis une

fois par an. Voir [Vidange de l'huile moteur \(page 16\)](#).

4

Montage du bac à herbe

Aucune pièce requise

Procédure

1. Glissez le bac sur l'armature, comme montré à la [Figure 6](#).

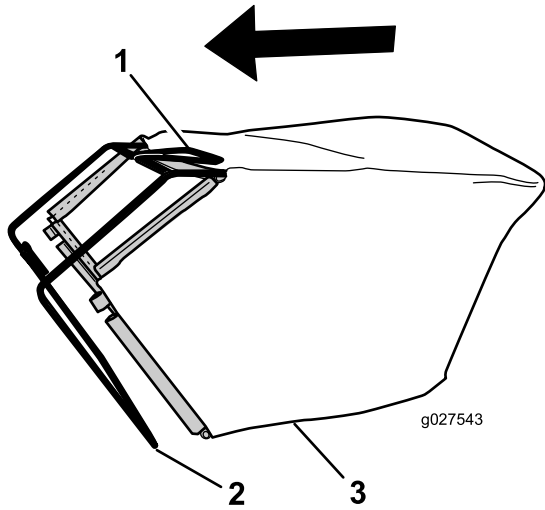


Figure 6

1. Poignée
2. Armature
3. Bac à herbe

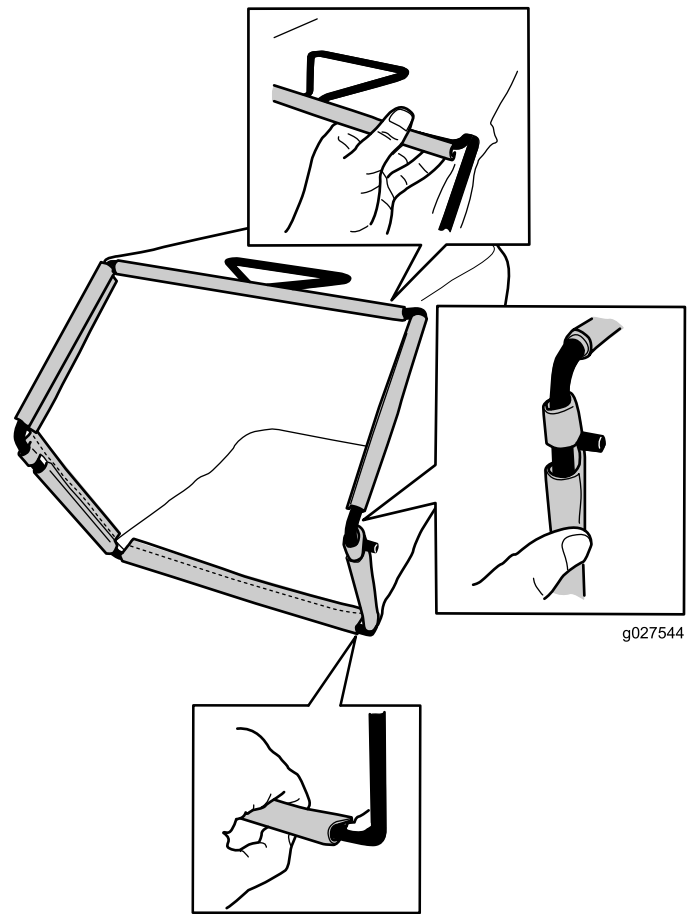


Figure 7

3. Accrochez la glissière supérieure et les glissières latérales du bac au sommet et sur les côtés de l'armature respectivement ([Figure 7](#)).

Remarque: Ne passez pas le bac par dessus la poignée ([Figure 6](#)).

2. Accrochez la glissière inférieure du bac au bas de l'armature ([Figure 7](#)).

Vue d'ensemble du produit

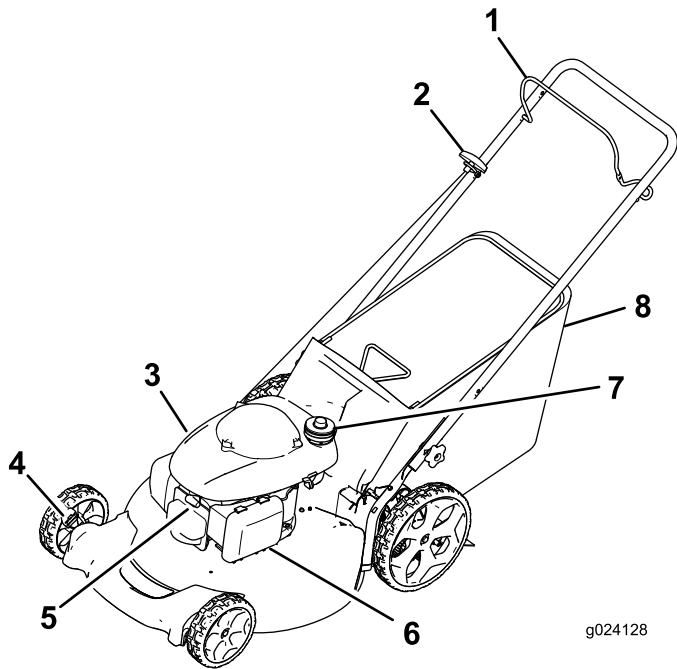


Figure 8

- | | |
|---|--------------------------------------|
| 1. Barre de commande de la lame | 5. Bougie |
| 2. Poignée du lanceur | 6. Filtre à air |
| 3. Goulot de remplissage/jauge (non représenté) | 7. Bouchon du réservoir de carburant |
| 4. Levier de hauteur de coupe (2) | 8. Bac à herbe |

Utilisation

Remarque: Les côtés gauche et droit de la machine sont déterminés d'après la position d'utilisation normale.

Avant l'utilisation

Consignes de sécurité avant l'utilisation

Consignes de sécurité générales

- Coupez toujours le moteur, attendez l'arrêt complet de toutes les pièces en mouvement et faites refroidir la machine avant de la régler, de la réparer, de la nettoyer ou de la remiser.

- Familiarisez-vous avec le maniement correct du matériel, les commandes et les symboles de sécurité.
- Vérifiez que tous les capots et dispositifs de sécurité, comme les déflecteurs et/ou le bac à herbe, sont en place et en bon état.
- Vérifiez toujours que les lames et les boulons de lame ne sont pas usés ou endommagés.
- Inspectez la zone de travail et débarrassez-la de tout objet pouvant gêner le fonctionnement de la machine ou être projeté pendant son utilisation.
- Le contact avec la lame en mouvement entraîne des blessures graves. Ne mettez pas les doigts sous le carter du tablier de coupe quand vous réglez la hauteur de coupe.

Consignes de sécurité relatives au carburant

- Le carburant est extrêmement inflammable et hautement explosif. Un incendie ou une explosion causé(e) par du carburant peut vous brûler, ainsi que les personnes se tenant à proximité, et causer des dommages matériels.
 - Pour éviter que l'électricité statique n'enflamme le carburant, posez le récipient et/ou la machine directement sur le sol, pas dans un véhicule ou sur un support quelconque, avant de remplir le réservoir.
 - Faites le plein du réservoir de carburant à l'extérieur, dans un endroit bien dégagé, lorsque le moteur est froid. Essayez tout carburant répandu.
 - Ne fumez pas lorsque vous manipulez du carburant et tenez-vous à l'écart des flammes nues ou sources d'étincelles.
 - N'enlevez pas le bouchon du réservoir de carburant et n'ajoutez pas de carburant quand le moteur tourne ou est encore chaud.
 - Si vous renversez du carburant, n'essayez pas de démarrer le moteur à cet endroit. Évitez de créer des sources d'inflammation jusqu'à dissipation complète des vapeurs de carburant.
 - Conservez le carburant dans un récipient homologué et hors de la portée des enfants.
- Le carburant est toxique, voire mortel en cas d'ingestion. L'exposition prolongée aux vapeurs de carburant peut causer des blessures et des maladies graves.
 - Évitez de respirer les vapeurs de carburant de façon prolongée.
 - N'approchez pas le visage ou les mains du pistolet ni de l'ouverture du réservoir de carburant.

- N'approchez pas le carburant des yeux et de la peau.

Faites le plein avec de l'essence sans plomb ordinaire fraîche d'une marque réputée (Figure 9).

Remplissage du réservoir de carburant

Important: Pour réduire les problèmes de démarrage, ajoutez un stabilisateur/conditionneur au carburant neuf et suivez les directives du fabricant du stabilisateur.

Reportez-vous au manuel du propriétaire du moteur pour plus de renseignements.

- Pour assurer le fonctionnement optimal de la machine, utilisez uniquement de l'essence sans plomb propre et fraîche avec un indice d'octane de 87 ou plus (méthode de calcul $[R+M]/2$).
- L'utilisation de carburant oxygéné contenant jusqu'à 10 % d'éthanol ou 15 % de MTBE par volume est acceptable.
- N'utilisez **pas** de mélanges d'essence à l'éthanol (E15 ou E85 par exemple) avec plus de 10 % d'éthanol par volume. Cela peut entraîner des problèmes de performances et/ou des dommages au moteur qui peuvent ne pas être couverts par la garantie.
- N'utilisez **pas** d'essence contenant du méthanol.
- Ne stockez **pas** le carburant dans le réservoir ou dans des bidons de carburant pendant l'hiver à moins d'ajouter un stabilisateur au carburant.
- N'ajoutez **pas** d'huile à l'essence.

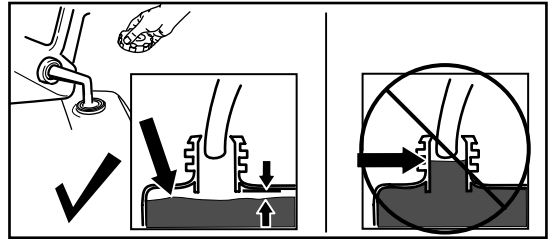


Figure 9

g230458

Contrôle du niveau d'huile moteur

Périodicité des entretiens: À chaque utilisation ou une fois par jour

Important: Si vous faites tourner le moteur alors que le niveau d'huile dans le carter est trop bas ou trop élevé, vous risquez d'endommager le moteur.

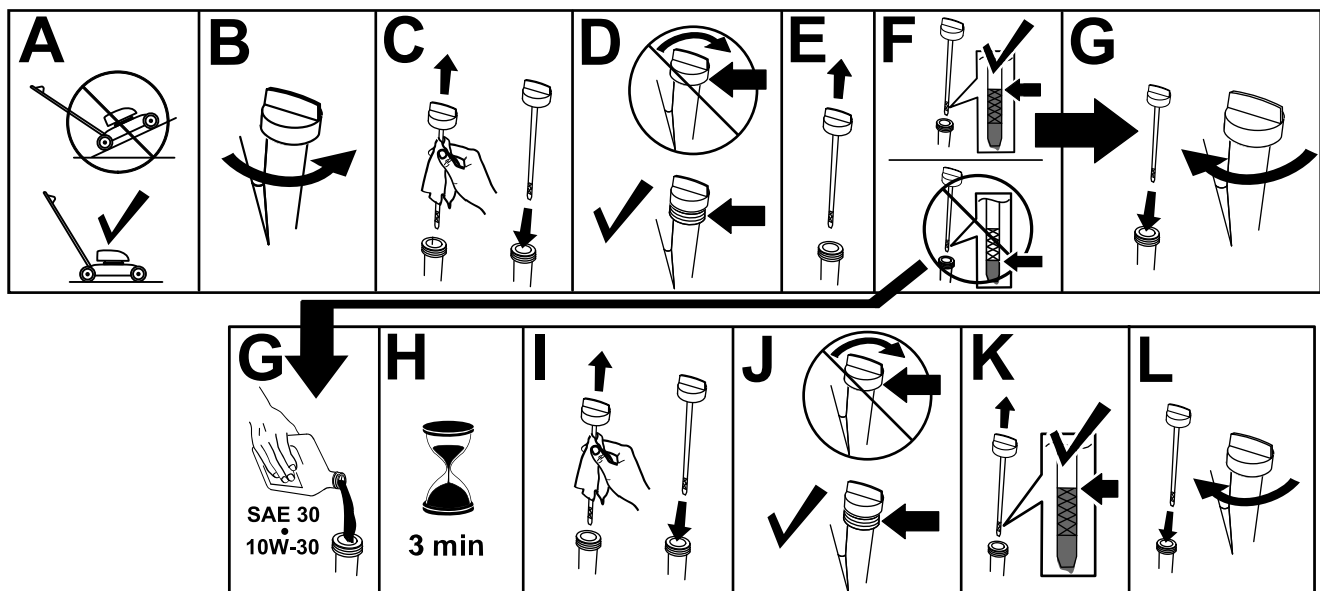


Figure 10

g235721

Réglage de la hauteur de coupe

⚠ PRUDENCE

Si le moteur vient de tourner, le silencieux est très chaud et peut vous brûler gravement. Ne vous approchez pas du silencieux encore chaud.

Choisissez la hauteur de coupe voulue. Réglez toutes les roues à la même hauteur de coupe (Figure 11).

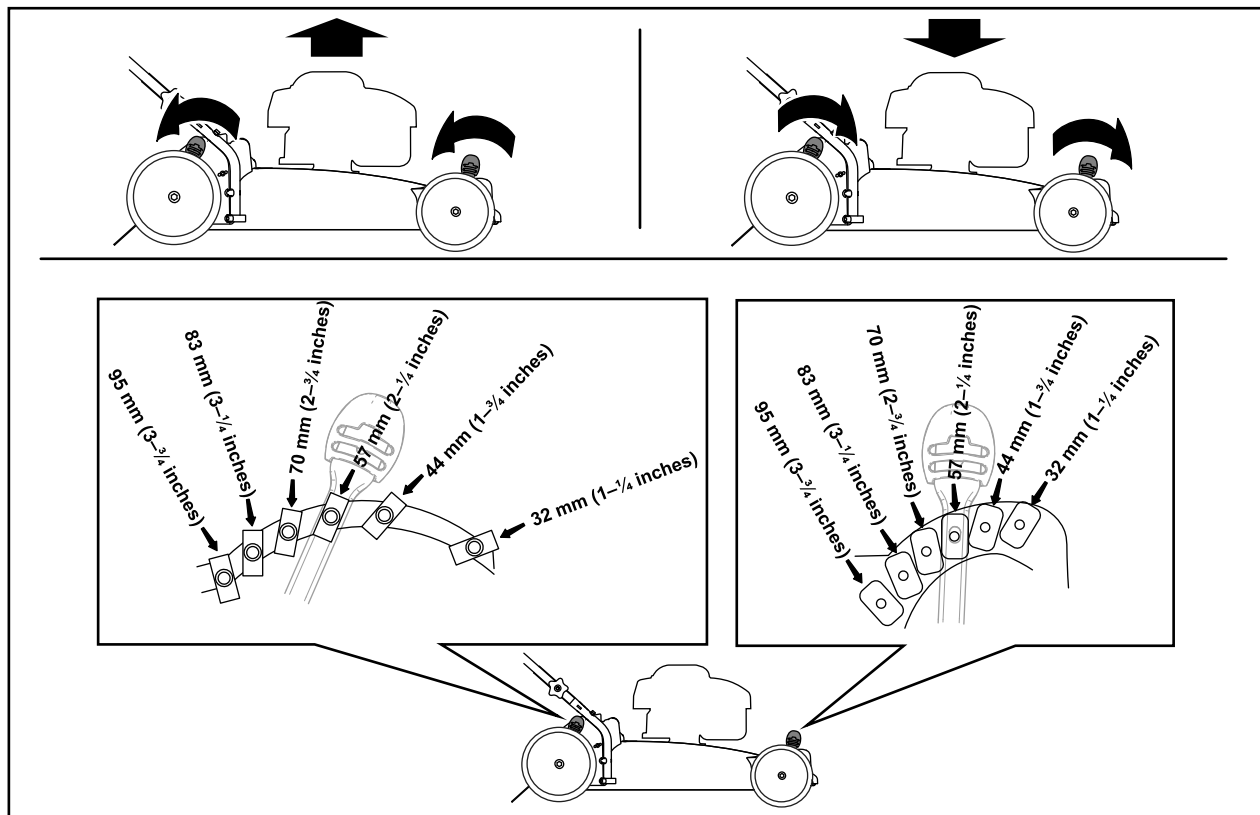


Figure 11

g228410

Pendant l'utilisation

Consignes de sécurité pendant l'utilisation

Consignes de sécurité générales

- Portez des vêtements appropriés, y compris une protection oculaire, un pantalon, des chaussures solides à semelle antidérapante et des protecteurs d'oreilles. Si vos cheveux sont longs, attachez-les et ne portez pas de vêtements amples ni de bijoux pendants.
- Accordez toute votre attention à l'utilisation de la machine. Ne vous livrez à aucune activité risquant de vous distraire, au risque de causer des dommages corporels ou matériels.
- N'utilisez pas la machine si vous êtes malade ou fatigué, ni sous l'emprise de l'alcool, de drogues ou de médicaments.
- La lame est tranchante et vous pouvez vous blesser gravement à son contact. Coupez le moteur et attendez l'arrêt complet de toutes les pièces mobiles avant de quitter la position d'utilisation.
- Lorsque vous relâchez la barre de commande de la lame, le moteur et la lame doivent s'arrêter en moins de 3 secondes. Si ce n'est pas le cas, cessez immédiatement d'utiliser la machine et contactez un dépositaire-réparateur agréé.
- N'admettez personne dans le périmètre de travail. Veillez à ce que les jeunes enfants restent hors du périmètre de travail, sous la garde d'un adulte responsable autre que l'utilisateur. Arrêtez la machine si quelqu'un entre dans la zone de travail.

- Vérifiez toujours si la voie est libre juste derrière la machine et sur sa trajectoire avant de faire marche arrière.
- N'utilisez la machine que si la visibilité est suffisante et dans de bonnes conditions météorologiques. N'utilisez pas la machine si la foudre menace.
- En travaillant sur l'herbe ou les feuilles humides, vous risquez de glisser et de vous blesser gravement si vous touchez la lame en tombant. Évitez de tondre quand l'herbe est humide.
- Faites preuve de la plus grande prudence à l'approche de tournants sans visibilité, de buissons, d'arbres ou d'autres objets susceptibles de masquer la vue.
- Ne dirigez pas l'éjection vers qui que ce soit. N'éjectez pas l'herbe coupée contre un mur ou un obstacle, car elle pourrait ricocher dans votre direction. Arrêtez la (les) lame(s) quand vous passez sur du gravier.
- Méfiez-vous des trous, ornières, bosses, rochers ou autres obstacles cachés. Les irrégularités du terrain peuvent vous faire déraiper ou perdre l'équilibre.
- Si la machine heurte un obstacle ou commence à vibrer, coupez immédiatement le moteur, attendez l'arrêt complet de toutes les pièces mobiles et débranchez le fil de la bougie avant de vérifier si la machine n'est pas endommagée. Effectuez toutes les réparations nécessaires avant de réutiliser la machine.
- Avant de quitter la position d'utilisation, coupez le moteur et attendez l'arrêt de toutes les pièces mobiles.
- Si le moteur vient de tourner, il est très chaud et peut vous brûler gravement. Ne vous approchez pas du moteur encore chaud.
- Ne faites tourner le moteur que dans des endroits bien aérés. Les gaz d'échappement contiennent du monoxyde de carbone dont l'inhalation est mortelle.
- Vérifiez fréquemment l'état des composants du bac à herbe et de la goulotte d'éjection, et remplacez au besoin les pièces usées ou endommagées par des pièces Lawn-Boy d'origine.

Consignes de sécurité sur les pentes

- Travaillez transversalement à la pente, jamais vers le haut ou vers le bas. Soyez extrêmement prudent lorsque vous changez de direction sur un terrain en pente.

- Ne tondez pas de pentes trop raides. Vous pourriez glisser et vous blesser en tombant.
- Tondez toujours avec prudence à proximité de dénivellations, fossés ou berges.

Démarrage du moteur

1. Maintenez la barre de commande de la lame contre le guidon (A de [Figure 12](#)).
2. Tirez la poignée du lanceur (B de [Figure 12](#)).

Remarque: Tirez la poignée du lanceur lentement jusqu'à ce que vous sentiez une résistance, puis tirez vigoureusement. Laissez le lanceur se rétracter lentement jusqu'à la poignée.

Remarque: Si le moteur ne démarre pas après plusieurs tentatives, contactez un dépositaire-réparateur agréé.

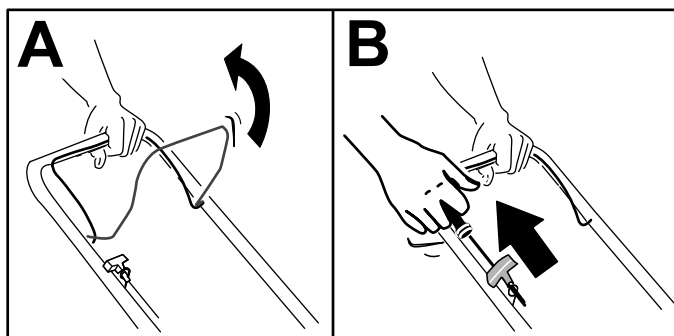


Figure 12

g277368

Arrêt du moteur

Périodicité des entretiens: À chaque utilisation ou une fois par jour

Pour couper le moteur, relâchez la barre de commande de la lame.

Important: Lorsque vous relâchez la barre de commande de la lame, le moteur et la lame doivent s'arrêter en moins de 3 secondes. Si ce n'est pas le cas, cessez immédiatement d'utiliser la machine et adressez-vous à un dépositaire-réparateur agréé.

Déchiquetage

À la livraison, votre machine est prête à déchiqeter l'herbe et les feuilles coupées pour nourrir votre pelouse.

Si le bac à herbe est monté sur la machine, enlevez-le avant de procéder au déchiqetage de l'herbe coupée. Voir [Retrait du bac à herbe \(page 12\)](#).

Ramassage de l'herbe coupée

Utilisez le bac à herbe pour recueillir l'herbe et les feuilles coupées à la surface de la pelouse.

⚠ ATTENTION

Si le bac à herbe est usé, des gravillons ou autres débris similaires peuvent être projetés vers vous ou des personnes à proximité, et infliger des blessures graves ou mortelles.

Examinez fréquemment le bac à herbe. S'il est endommagé, remplacez-le par un bac Lawn-Boy neuf d'origine.

⚠ ATTENTION

La lame est tranchante et vous pouvez vous blesser gravement à son contact.

Coupez le moteur et attendez l'arrêt complet de toutes les pièces mobiles avant de quitter la position d'utilisation.

Montage du bac à herbe

1. Soulevez le déflecteur arrière (Figure 13).

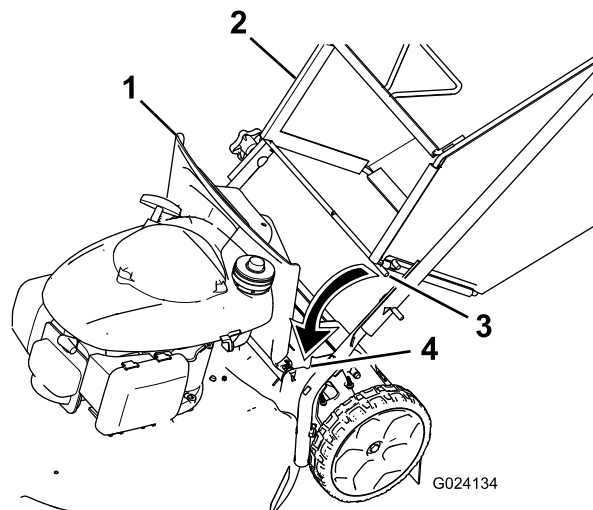


Figure 13

- | | |
|-----------------------|---------------------------------------|
| 1. Déflecteur arrière | 3. Extrémité de tige (2) |
| 2. Bac à herbe | 4. Cran dans le support de guidon (2) |

2. Insérez les extrémités de la tige du bac à herbe dans les crans des supports du guidon (Figure 13).
3. Faites reposer le déflecteur arrière sur le bac.

Retrait du bac à herbe

1. Soulevez le déflecteur arrière (Figure 13).
2. Sortez la poignée du bac à herbe des crans des supports et déposez le bac de la machine.
3. Refermez le déflecteur arrière.

Conseils d'utilisation

Conseils de tonte généraux

- Inspectez la zone de travail et enlevez tout objet pouvant être projeté par la machine.
- Évitez de heurter des obstacles avec la lame. Ne passez jamais intentionnellement sur un objet quel qu'il soit.
- Si la machine heurte un obstacle ou commence à vibrer, coupez immédiatement le moteur, retirez la clé de contact (selon l'équipement), débranchez le fil de la bougie et vérifiez si la machine n'est pas endommagée.
- Pour obtenir des résultats optimaux, remplacez la lame au début de la saison de tonte.
- Remplacez la lame dès que nécessaire par une lame de rechange Lawn-Boy.

La tonte

- Ne tondez l'herbe que sur un tiers de sa hauteur à chaque fois. N'utilisez pas une hauteur de coupe inférieure à 51 mm (2 po), sauf si l'herbe est clairsemée ou à la fin de l'automne quand la pousse commence à ralentir.
- Si l'herbe fait plus de 15 cm (6 po), effectuez d'abord un premier passage à vitesse réduite à la hauteur de coupe la plus haute. Effectuez ensuite un deuxième passage à une hauteur de coupe inférieure pour obtenir une coupe plus esthétique. L'herbe trop haute risque d'obstruer la machine et de faire caler le moteur.
- L'herbe et les feuilles humides ont tendance à s'agglomérer sur la pelouse et peuvent obstruer la machine et faire caler le moteur. Évitez de tondre quand l'herbe est humide.
- Soyez conscient des risques d'incendie par temps très sec, respectez tous les avertissements locaux relatifs aux incendies, et ne laissez pas l'herbe et les feuilles sèches s'accumuler sur la machine.
- Alternez la direction de la tonte. Cela permet de disperser les déchets plus uniformément et d'obtenir une fertilisation plus homogène.
- Si l'aspect de la pelouse toncée n'est pas satisfaisant, essayez une ou plusieurs des solutions suivantes :
 - Remplacez la lame ou faites-la aiguiser.

- Tondez en avançant plus lentement.
- Augmentez la hauteur de coupe.
- Tondez plus souvent.
- Empiétez sur les passages précédents pour tondre une largeur de bande réduite.

Hachage de feuilles

- Après la tonte, 50 % de la pelouse doit être visible sous la couche de feuilles hachées. À cet effet, vous devrez peut-être repasser plusieurs fois sur les feuilles.
- Si la couche de feuilles sur la pelouse fait plus de 13 cm (5 po) d'épaisseur, utilisez une hauteur de coupe plus élevée, puis faites un second passage à la hauteur de coupe désirée.
- Ralentissez la vitesse de déplacement si les feuilles ne sont pas hachées assez menues.

Après l'utilisation

Consignes de sécurité après l'utilisation

Consignes de sécurité générales

- Coupez toujours le moteur, attendez l'arrêt complet de toutes les pièces en mouvement et faites refroidir la machine avant de la régler, de la réparer, de la nettoyer ou de la remiser.
- Pour éviter les risques d'incendie, enlevez les brins d'herbe et autres débris qui sont agglomérés sur la machine. Nettoyez les coulées éventuelles d'huile ou de carburant.
- Ne jamais remisez pas la machine ni les bidons de carburant à proximité d'une flamme nue, d'une source d'étincelles ou d'une veilleuse, telle celle d'un chauffe-eau ou d'autres appareils.

Sécurité relative au transport

- Procédez avec prudence pour charger ou décharger la machine.
- Empêchez la machine de rouler.

Nettoyage du dessous de la machine

Périodicité des entretiens: Après chaque utilisation

Pour obtenir des résultats optimaux, nettoyez rapidement le dessous de la machine après la tonte.

1. Abaissez la machine à la hauteur de coupe la plus basse.
2. Amenez la machine sur une surface revêtue plane et horizontale.
3. Mettez le moteur en marche et engagez la lame, puis dirigez un jet d'eau devant la roue arrière **droite** (Figure 14).

Remarque: L'eau éclaboussera en direction de la lame et enlèvera les débris d'herbe agglomérés.

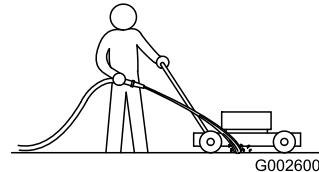


Figure 14

g002600

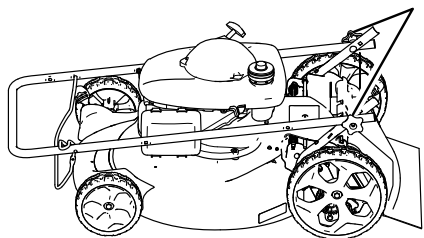
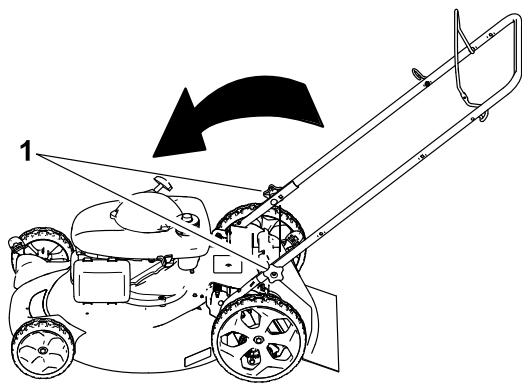
4. Lorsqu'il ne reste plus d'herbe sur la lame, arrêtez l'eau et déplacez la machine à un endroit sec.
5. Faites tourner le moteur quelques minutes pour sécher le dessous de la machine.

Pliage du guidon

⚠ ATTENTION

Vous risquez d'endommager les câbles et de rendre l'utilisation de la machine dangereuse si vous ne pliez ou ne dépliez pas le guidon correctement.

- **Veillez à ne pas endommager les câbles en pliant ou dépliant le guidon.**
 - **Si un câble est endommagé, adressez-vous à un dépositaire-réparateur agréé.**
1. Desserrez les boutons du guidon jusqu'à ce que le guidon bouge librement (Figure 15).



g024126

g024126

Figure 15

1. Bouton du guidon (2)

2. Rabattez le guidon en avant comme indiqué à la [Figure 15](#).

Important: Faites passer les câbles à l'extérieur des boutons quand vous pliez le guidon.

Entretien

Programme d'entretien recommandé

Périodicité d'entretien	Procédure d'entretien
Après les 5 premières heures de fonctionnement	<ul style="list-style-type: none">• Vidange de l'huile moteur.
À chaque utilisation ou une fois par jour	<ul style="list-style-type: none">• Contrôlez le niveau d'huile moteur et faites l'appoint au besoin.• Vérifiez que le moteur s'arrête dans les 3 secondes suivant le relâchement de la barre de commande de la lame.• Vérifiez l'état et la propreté du filtre à air, et nettoyez-le ou remplacez-le au besoin.
Après chaque utilisation	<ul style="list-style-type: none">• Enlevez l'herbe coupée et autres débris accumulés sous la machine.
Toutes les 100 heures	<ul style="list-style-type: none">• Nettoyez le circuit de refroidissement (reportez-vous au manuel du moteur).
Toutes les 200 heures	<ul style="list-style-type: none">• Remplacez le filtre à air (plus souvent s'il y a beaucoup de poussière).• Remplacez la bougie.
Avant le remisage	<ul style="list-style-type: none">• Vidangez le réservoir de carburant avant le remisage annuel et avant les réparations nécessaires.
Une fois par an	<ul style="list-style-type: none">• Vérifiez l'état et la propreté du filtre à air, et nettoyez-le ou remplacez-le au besoin (plus souvent s'il y a beaucoup de poussière).• Vidange de l'huile moteur.• Remplacez la lame ou faites-la aiguiser (plus souvent si elle s'émousse rapidement).

Important: Reportez-vous au manuel du propriétaire du moteur pour toutes procédures d'entretien supplémentaires.

Consignes de sécurité pendant l'entretien

- Débranchez le fil de la bougie avant de procéder à un quelconque entretien.
- Portez des gants et une protection oculaire pour faire l'entretien de la machine.
- La lame est tranchante et vous pouvez vous blesser gravement à son contact. Portez des gants pour effectuer l'entretien de la lame. Ne réparez pas et ne modifiez pas les lames.
- N'enlevez et ne modifiez jamais les dispositifs de sécurité. Vérifiez régulièrement qu'ils fonctionnent correctement.
- Du carburant peut s'échapper lorsque la machine est basculée sur le côté. Le carburant est inflammable et explosif, et peut causer des blessures. Laissez tourner le moteur jusqu'à ce qu'il s'arrête faute de carburant ou vidangez le reste de carburant avec une pompe manuelle; ne siphonnez jamais le carburant.
- Pour garantir un rendement optimal de la machine, utilisez toujours des pièces de rechange et accessoires Lawn-Boy d'origine. Les pièces de rechange et accessoires d'autres constructeurs peuvent être dangereux et leur utilisation risque d'annuler la garantie de la machine.

Préparation à l'entretien

1. Coupez le moteur et attendez l'arrêt complet de toutes les pièces mobiles.
2. Débranchez le fil de la bougie (Figure 16) avant de procéder à un quelconque entretien.

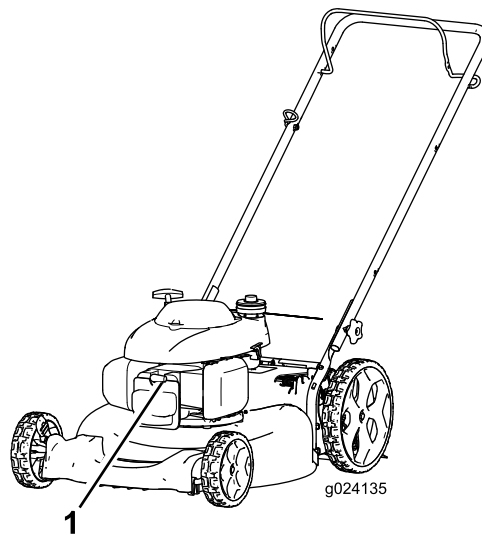


Figure 16

1. Fil de bougie

- Rebranchez le fil sur la bougie une fois l'entretien terminé.

Important: Avant de basculer la machine pour vidanger l'huile ou remplacer la lame, laissez le moteur en marche jusqu'à ce qu'il s'arrête faute de carburant. Si vous ne pouvez pas attendre que le moteur s'arrête par manque de carburant, utilisez une pompe manuelle pour vider le reste de carburant. Basculez toujours la machine sur le côté, avec la jauge en bas.

Entretien du filtre à air

Périodicité des entretiens: À chaque utilisation ou une fois par jour—Vérifiez l'état et la propreté du filtre à air, et nettoyez-le ou remplacez-le au besoin.

Une fois par an—Vérifiez l'état et la propreté du filtre à air, et nettoyez-le ou remplacez-le au besoin (plus souvent s'il y a beaucoup de poussière).

Toutes les 200 heures—Remplacez le filtre à air (plus souvent s'il y a beaucoup de poussière).

- Appuyez sur les languettes de verrouillage en haut du couvercle du filtre à air (Figure 17).

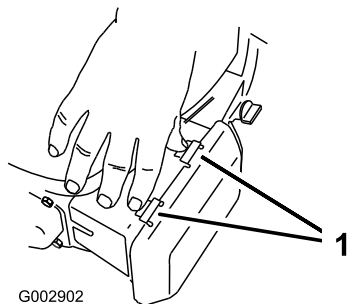


Figure 17

- Languettes de verrouillage

- Ouvrez le couvercle.
- Déposez le filtre à air (Figure 18).

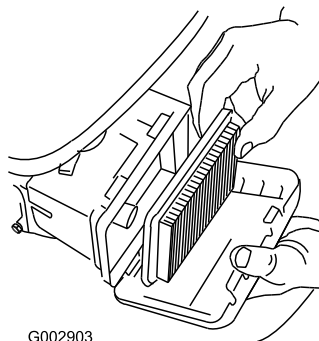


Figure 18

- Remplacez le filtre à air s'il est endommagé ou humidifié par de l'huile ou de l'essence.
- Si le filtre à air est encrassé, tapotez-le à plusieurs reprises sur une surface dure ou soufflez de l'air comprimé à moins de 2,07 bar (30 psi) par le côté du filtre qui est face au moteur.

Remarque: Ne brossez pas le filtre pour le débarrasser des impuretés, car cela aura pour effet d'incruster les impuretés dans les fibres.

- Avec un chiffon humide, essuyez la poussière sur le corps et le couvercle du filtre à air. **Ne faites pas pénétrer de poussière dans le conduit d'air.**
- Mettez le filtre à air en place.
- Fermez le couvercle.

Vidange de l'huile moteur

Périodicité des entretiens: Une fois par an

Après les 5 premières heures de fonctionnement

Remarque: Faites tourner le moteur pendant quelques minutes avant la vidange pour réchauffer l'huile. L'huile chaude s'écoule plus facilement et entraîne plus d'impuretés.

Huile moteur spécifiée

Capacité d'huile moteur	0,55 L (18,6 oz liq.)
Viscosité d'huile	Huile détergente SAE 30 ou SAE 10W-30
Classe de service API	SJ ou mieux

- Amenez la machine sur un sol plat et horizontal.
- Voir [Préparation à l'entretien \(page 15\)](#).
- Tournez le bouchon dans le sens antihoraire et sortez la jauge (Figure 19).

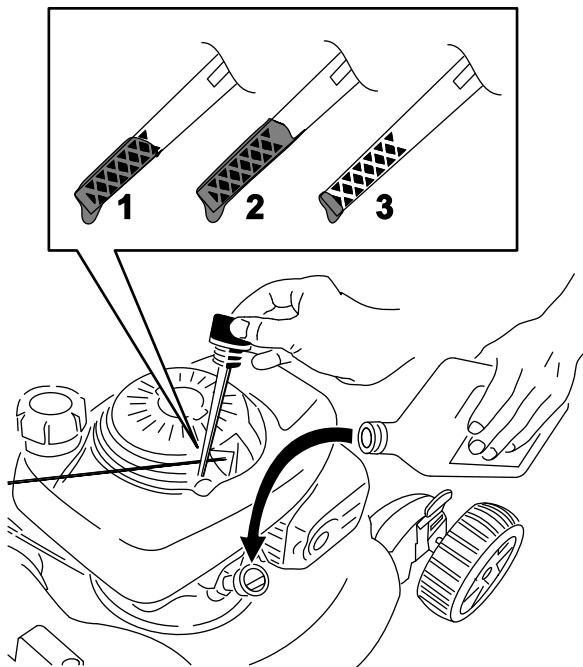


Figure 19

g238622

1. Niveau max.
2. Niveau trop élevé
3. Niveau min.

4. Inclinez la machine sur le côté (filtre à air en haut) pour vidanger l'huile usagée par le tube de remplissage (Figure 19).

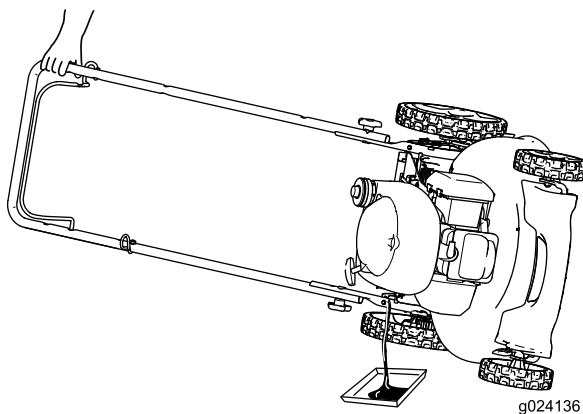


Figure 20

g024136

5. Redressez la machine après avoir vidangé l'huile usagée.
6. Versez lentement environ 75 % de la capacité d'huile moteur dans le tube de remplissage d'huile.
7. Attendez 3 minutes que l'huile se stabilise dans le moteur.
8. Essuyez la jauge sur un chiffon propre.
9. Insérez la jauge au fond du tube de remplissage, **sans la visser**, puis ressortez-la.

10. Vérifiez le niveau d'huile indiqué par la jauge (Figure 19).
 - Si le niveau n'atteint pas le repère minimum sur la jauge, versez lentement une petite quantité d'huile dans le tube de remplissage, attendez 3 minutes puis répétez les opérations 8 à 10 jusqu'à atteindre le niveau d'huile correct sur la jauge.
 - Si le niveau d'huile est trop élevé, vidangez l'excédent d'huile jusqu'à obtention du niveau d'huile correct sur la jauge.

Important: Si vous faites tourner le moteur alors que le niveau d'huile dans le moteur est trop bas ou trop élevé, vous risquez d'endommager le moteur.

11. Insérez et vissez solidement la jauge dans le tube de remplissage.
12. Recyclez l'huile usagée correctement.

Remplacement de la lame

Périodicité des entretiens: Une fois par an

Important: Vous aurez besoin d'une clé dynamométrique pour monter la lame correctement. Si vous n'en possédez pas ou si vous ne vous sentez pas capable d'effectuer cette procédure, adressez-vous à un dépositaire-réparateur agréé.

Examinez l'état de la lame chaque fois que le réservoir de carburant est vide. Si la lame est endommagée ou fêlée, remplacez-la immédiatement. Si la lame est émoussée ou ébréchée, faites-la aiguiser et équilibrer ou remplacez-la.

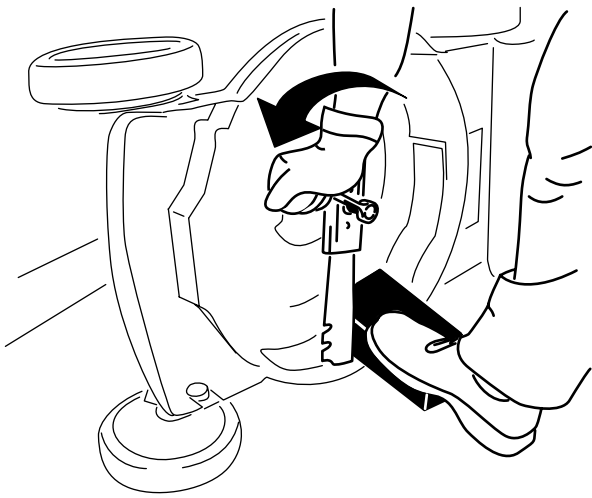
⚠ ATTENTION

La lame est tranchante et vous pouvez vous blesser gravement à son contact.

Portez des gants pour effectuer l'entretien de la lame.

1. Voir [Préparation à l'entretien \(page 15\)](#).
2. Basculez la machine sur le côté (filtre à air en haut).
3. Immobilisez la lame avec un morceau de bois (Figure 21).

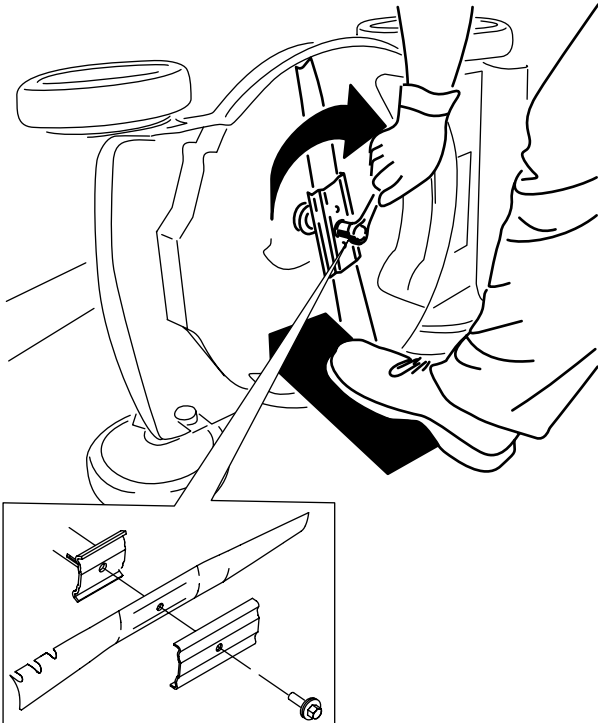
solidement. Il est pratiquement impossible de trop serrer ce boulon.



g231389

Figure 21

4. Déposez la lame mais conservez les fixations (Figure 21).
5. Montez la nouvelle lame et toutes les fixations (Figure 22).



g231390

Figure 22

Important: Dirigez les ailettes des lames vers le carter de la machine.

6. À l'aide d'une clé dynamométrique, serrez le boulon de la lame à 82 N·m (60 pi-lb).

Important: Un boulon vissé à 82 N·m (60 pi-lb) est très serré. Bloquez la lame avec une cale en bois, appuyez de tout votre poids sur le rochet ou la clé, et serrez le boulon

Remisage

Remisez la machine dans un local frais, propre et sec.

Consignes de sécurité relatives au remisage

Coupez toujours le moteur, attendez l'arrêt complet de toutes les pièces en mouvement et faites refroidir la machine avant de la régler, de la réparer, de la nettoyer ou de la remiser.

Préparation de la machine au remisage

1. Lors du dernier plein de la saison, ajoutez un stabilisateur au carburant selon les instructions du constructeur du moteur.
2. Débarrassez-vous correctement du carburant inutilisé. Recyclez-le conformément à la réglementation locale ou utilisez-le dans une voiture.

Important: La présence de carburant trop vieux dans le réservoir est la principale cause des problèmes de démarrage. Ne conservez pas le carburant sans stabilisateur plus de 30 jours. Ne conservez pas le carburant stabilisé au-delà de la durée recommandée par le fabricant du stabilisateur.

3. Laissez tourner le moteur de la machine jusqu'à ce qu'il s'arrête faute de carburant.
4. Redémarrez le moteur et laissez-le tourner jusqu'à ce qu'il s'arrête. Le moteur est suffisamment sec lorsqu'il n'y a plus moyen de le faire démarrer.
5. Débranchez le fil de la bougie et branchez-le à la borne de retenue (selon l'équipement).
6. Retirez la bougie et versez 30 ml (1 oz liq.) d'huile dans l'ouverture laissée par la bougie. Tirez ensuite la poignée du lanceur lentement à plusieurs reprises pour bien répartir l'huile à l'intérieur du cylindre et empêcher celui-ci de rouiller pendant le remisage de la machine.
7. Remettez la bougie en place sans la serrer.
8. Serrez tous les écrous, boulons et vis.

Remise en service de la machine après remisage

1. Contrôlez et resserrez toutes les fixations.
2. Retirez la bougie et faites tourner le moteur rapidement en tirant la poignée du lanceur pour éliminer l'excédent d'huile dans le cylindre.
3. Reposez et serrez la bougie à 20 N·m (15 pi-lb) à l'aide d'une clé dynamométrique.
4. Effectuez les entretiens requis; voir [Entretien \(page 15\)](#).
5. Contrôlez le niveau d'huile moteur; voir [Contrôle du niveau d'huile moteur \(page 9\)](#).
6. Remplissez le réservoir de carburant d'essence neuve; voir [Remplissage du réservoir de carburant \(page 9\)](#).
7. Branchez le fil de la bougie.

Proposition 65 de Californie – Information concernant cet avertissement

En quoi consiste cet avertissement?

Certains produits commercialisés présentent une étiquette d'avertissement semblable à ce qui suit :



AVERTISSEMENT : Cancer et troubles de la reproduction –
www.p65Warnings.ca.gov.

Qu'est-ce que la Proposition 65?

La Proposition 65 s'applique à toute société exerçant son activité en Californie, qui vend des produits en Californie ou qui fabrique des produits susceptibles d'être vendus ou importés en Californie. Elle stipule que le Gouverneur de Californie doit tenir et publier une liste des substances chimiques connues comme causant des cancers, malformations congénitales et/ou autres troubles de la reproduction. Cette liste, qui est mise à jour chaque année, comprend des centaines de substances chimiques présentes dans de nombreux objets du quotidien. La Proposition 65 a pour objet d'informer le public quant à l'exposition à ces substances chimiques.

La Proposition 65 n'interdit pas la vente de produits contenant ces substances chimiques, mais impose la présence d'avertissements sur tout produit concerné, sur son emballage ou sur la documentation fournie avec le produit. D'autre part, un avertissement de la Proposition 65 ne signifie pas qu'un produit est en infraction avec les normes ou exigences de sécurité du produit. D'ailleurs, le gouvernement californien a clairement indiqué qu'un avertissement de la Proposition 65 « n'est pas une décision réglementaire quant au caractère « sûr » ou « dangereux » d'un produit ». Bon nombre de ces substances chimiques sont utilisées dans des produits du quotidien depuis des années, sans aucun effet nocif documenté. Pour plus de renseignements, rendez-vous sur <https://oag.ca.gov/prop65/faqs-view-all>.

Un avertissement de la Proposition 65 signifie qu'une société a soit (1) évalué l'exposition et conclu qu'elle dépassait le « niveau ne posant aucun risque significatif »; soit (2) choisi d'émettre un avertissement simplement sur la base de sa compréhension quant à la présence d'une substance chimique de la liste, sans tenter d'en évaluer l'exposition.

Cette loi s'applique-t-elle de partout?

Les avertissements de la Proposition 65 sont exigés uniquement en vertu de la loi californienne. Ces avertissements sont présents dans tout l'état de Californie, dans des environnements très variés, notamment mais pas uniquement les restaurants, magasins d'alimentations, hôtels, écoles et hôpitaux, et sur un vaste éventail de produits. En outre, certains détaillants en ligne et par correspondance fournissent des avertissements de la Proposition 65 sur leurs sites internet ou dans leurs catalogues.

Comment les avertissements de Californie se comparent-ils aux limites fédérales?

Les normes de la Proposition 65 sont souvent plus strictes que les normes fédérales et internationales. Diverses substances exigent un avertissement de la Proposition 65 à des niveaux bien inférieurs aux limites d'intervention fédérales. Par exemple, la norme de la Proposition 65 en matière d'avertissements pour le plomb se situe à 0,5 µg/jour, soit bien moins que les normes fédérales et internationales.

Pourquoi l'avertissement ne figure-t-il pas sur tous les produits semblables?

- Pour les produits commercialisés en Californie, l'étiquetage Proposition 65 est exigé, tandis qu'il ne l'est pas sur des produits similaires commercialisés ailleurs.
- Il se peut qu'une société impliquée dans un procès lié à la Proposition 65 et parvenant à un accord soit obligée d'utiliser les avertissements de la Proposition 65 pour ses produits, tandis que d'autres sociétés fabriquant des produits semblables peuvent ne pas être soumises à cette obligation.
- L'application de la Proposition 65 n'est pas uniforme.
- Certaines sociétés peuvent choisir de ne pas indiquer d'avertissements car elles considèrent qu'elles n'y sont pas obligées au titre de la Proposition 65; l'absence d'avertissements sur un produit ne signifie pas que le produit ne contient pas de substances de la liste à des niveaux semblables.

Pourquoi cet avertissement apparaît-il sur les produits Lawn-Boy?

Lawn-Boy a choisi de fournir aux consommateurs le plus d'information possible afin qu'ils puissent prendre des décisions éclairées quant aux produits qu'ils achètent et utilisent. Lawn-Boy fournit des avertissements dans certains cas d'après ses connaissances quant à la présence de l'une ou plusieurs des substances chimiques de la liste, sans en évaluer le niveau d'exposition, car des exigences de limites ne sont pas fournies pour tous les produits chimiques de la liste. Bien que l'exposition avec les produits Lawn-Boy puisse être négligeable ou parfaitement dans les limites « sans aucun risque significatif », par mesure de précaution, Lawn-Boy a décidé de fournir les avertissements Proposition 65. De plus, en l'absence de ces avertissements, la société Lawn-Boy pourrait être poursuivie en justice par l'État de Californie ou par des particuliers cherchant à faire appliquer la Proposition 65, et donc assujettie à d'importantes pénalités.