

# **LAWN-BOY®**

## **320R Snowthrower**

## **320E Snowthrower**

**Model No. 28220 – 9900001 & Up**

**Model No. 28222 – 9900001 & Up**

---

# **Parts Catalog**

## ORDERING REPLACEMENT PARTS

To order replacement parts, please supply: the part number, the quantity, and the description of each part desired.

## Contents

Description	Page	Description	Page
Deflector & Control Panel Assembly .....	1	Carburetor No. 640086 .....	7
Housing & Side Plate Assembly .....	2	Engine Tecumseh	
Engine & Gas Tank Assembly .....	3	Model No. HSK600-1681T .....	8-9
Handle Assembly .....	4	Recoil Starter No. 590743 .....	10
Rotor Assembly .....	5	Lawn-Boy Part Number Index .....	11-13
Motor & Switch Housing Assembly (Model No. 28222) .....	6	<b>Note:</b>	

## Accessories

Description	Model / Parts No.	Description	Model / Parts No.
-------------	-------------------	-------------	-------------------

## Part Description Abbreviations

Part descriptions in this catalog may include the following abbreviations.

Abbreviation	Meaning	Abbreviation	Meaning
AR .....	as required	HWHTF .....	hex washer head thread forming
ASM .....	assembly	INC .....	incorporated
CARR .....	carriage	LH .....	left hand
DEG .....	degrees	PH .....	pan head
FH .....	flat head	PPH .....	Phillips pan head
GA .....	gauge	PTO .....	power take off
HF .....	hex flange	RH .....	right hand
HFV .....	hex flange washer	SFH .....	slotted fillister head
HH .....	hex head	SH .....	square head
HHF .....	hex head flange	SHWH .....	slotted hex washer head
HHST .....	hex head self tapping	SPH .....	slotted pan head
HJ .....	hex jam	STD .....	standard
HOC .....	height-of-cut	TAP .....	self tapping
HS .....	hex socket	TH .....	truss head
HSBH .....	hex socket button head	TTH .....	Torx truss head
HSFH .....	hex socket flat head	WH .....	wing head
HSR .....	hex socket head		
HWH .....	hex washer head		

## Important Format Explanations

This catalog uses special formats to convey information in illustrations and parts lists. Specifically, one format is used in conjunction with service assemblies and another with quantities associated with reference numbers.

## Service Assemblies

Parts within service assemblies have reference numbers in the form  $X:Y$ .  $X$  is the reference number of the service assembly and  $Y$  is a sequential number unique to each part within the service assembly.

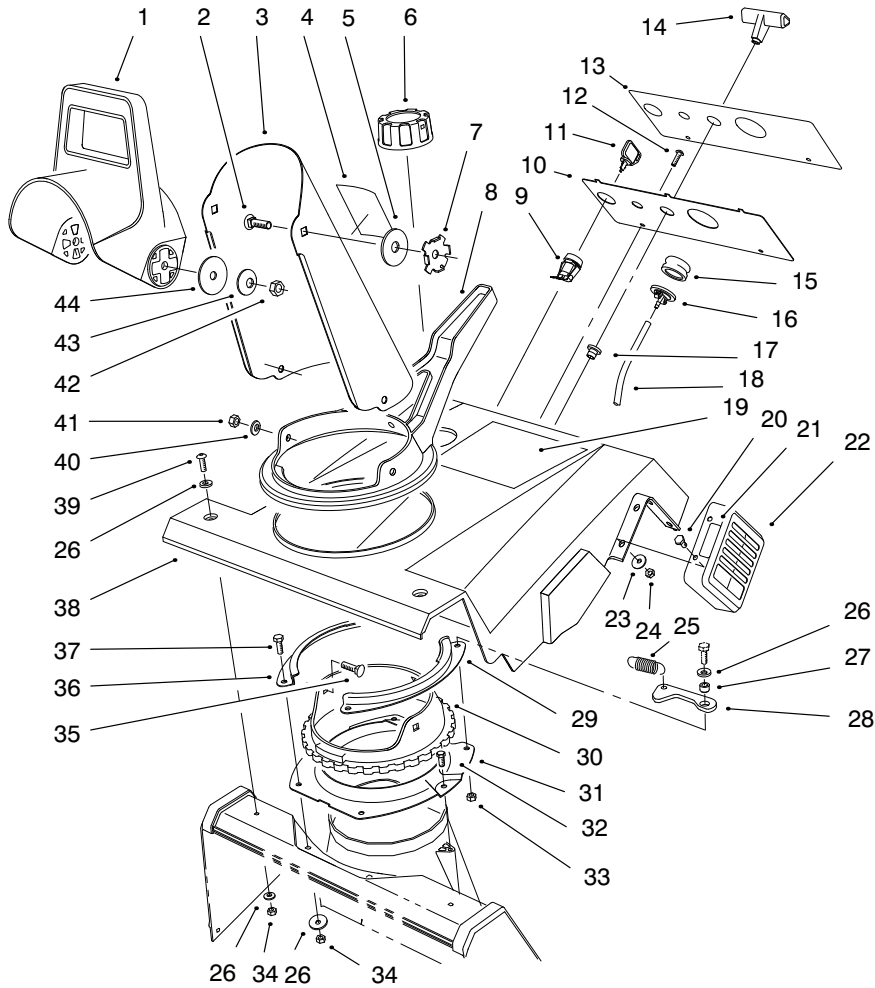
For example, a wheel assembly might be identified by reference number 6, the tire by 6:1, the valve by 6:2, and the wheel by 6:3. When you order the assembly identified by reference number 6, you receive all parts identified by reference numbers 6:1, 6:2, and 6:3. However, you may also order any part individually.

Reference numbers of this type appear in part lists and as callouts in illustrations.

## Reference Numbers with Quantities

Illustrations may have a quantity in parentheses next to a reference number, in the form  $X (Y)$ .  $X$  is the reference number.  $Y$  in parentheses is the quantity of the part identified by the reference number.

For example, the illustration callout 4 (2) indicates that two parts are used in that instance.



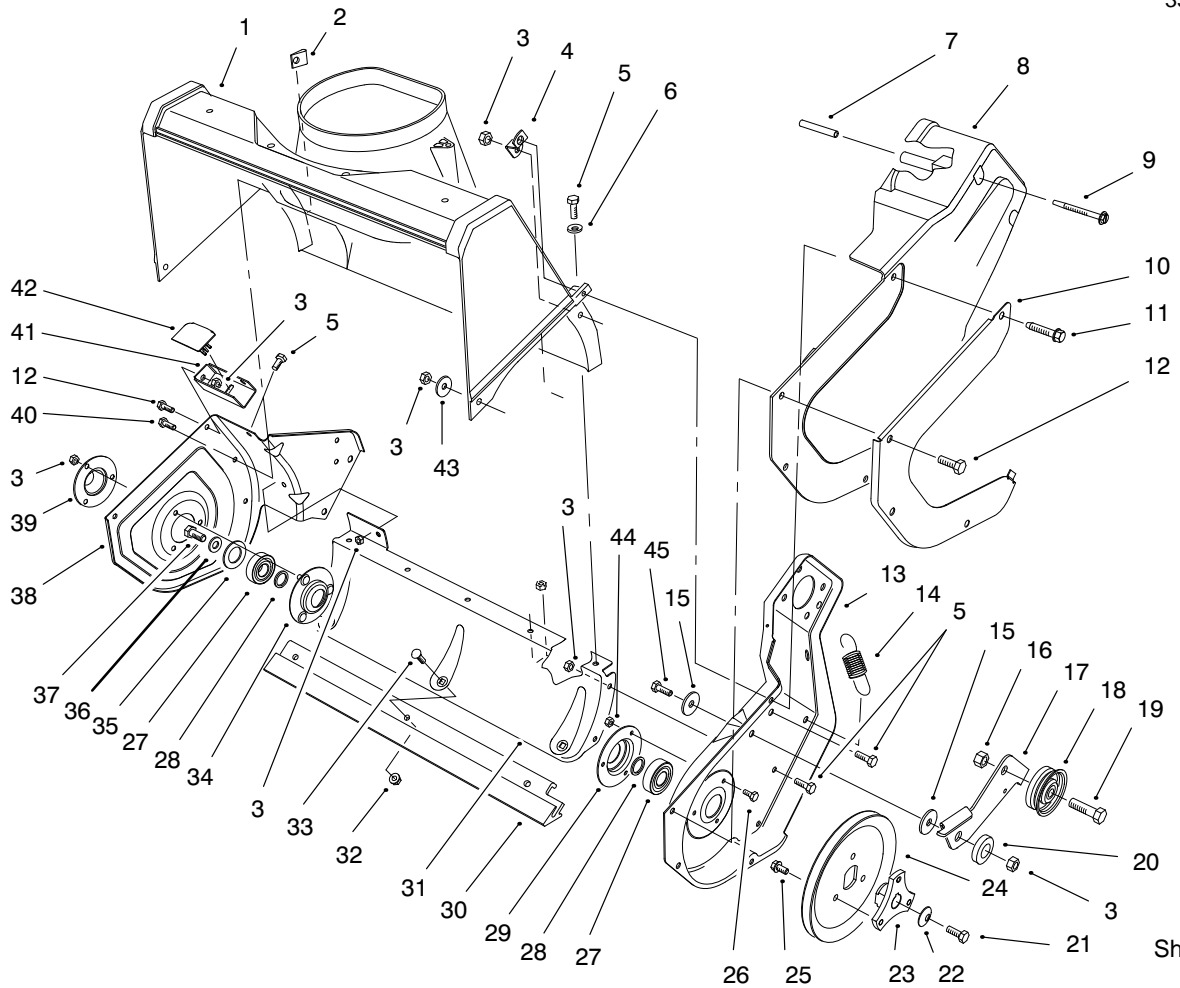
Sheet No.:2

## Deflector & Control Panel Assembly

Ref. No.	Part No.	Qty.	Description
1	56-2680	1	Deflector
2	3230-22	2	Screw-CARR
3	94-2790	1	Chute ASM
4	94-2900	1	Decal-Danger
5	20-4320	2	Washer-Rubber
6	55-3578	1	Gas Cap ASM
7	55-8950	2	Plate-Friction
8	71-4940	1	Handle-Chute
9	40-5940	1	Switch-Key
10	71-5240-03	1	Panel-Control (Model 28220)
10	71-5241-03	1	Panel-control (Model 28222)
11	700918	1	Key-Ignition
12	32144-53	2	Screw-Tf Acorn Hd
13	95-2665	1	Decal-Control Panel (Model 28220)
13	95-2666	1	Decal-Control Panel (Model 28222)
14	92-4853	1	Handle-Starter
15	66-7460	1	Bulb-Primer
16	44-2750	1	Body-Primer
17	23-7470	1	Guide-Rope
18	44-3173	1	Hose-Primer
19	94-9879	1	Decal-320e (Model 28222)
19	94-9878	1	Decal-320 (Model 28220)

Ref. No.	Part No.	Qty.	Description
20	3290-359	4	Screw-Rd
21	95-1904	1	Decal-Hot
22	71-5340-03	1	Guard-Muffler
23	3256-61	4	Washer-Flat
24	3296-2	4	Nut-Lock
25	80-4600	1	Spring-Detent
26	3256-22	7	Washer-Flat
27	55-9370	1	Spacer-Rotor Blade
28	80-4610	1	Arm-Detent
29	71-4980-03	1	Retainer-Chute Ring
30	71-4950	1	Ring-Chute
31	55-8921-03	1	Ring-Chute Support
32	46-8092	2	Screw
33	3296-56	1	Nut-Lock
34	3296-42	5	Nut-Lock
35	3230-16	3	Screw-CARR
36	71-4990-03	1	Retainer-Chute Ring
37	321-4	4	Screw-HH
38	94-8888	1	Shroud-Upper
39	3250-32	2	Screw-PPH
40	3256-70	3	Washer-Flt
41	32149-1	3	Nut
42	3296-29	2	Nut-Lock
43	3290-456	2	Washer-Lock
44	3256-68	2	Washer-Flat

\* Not illustrated

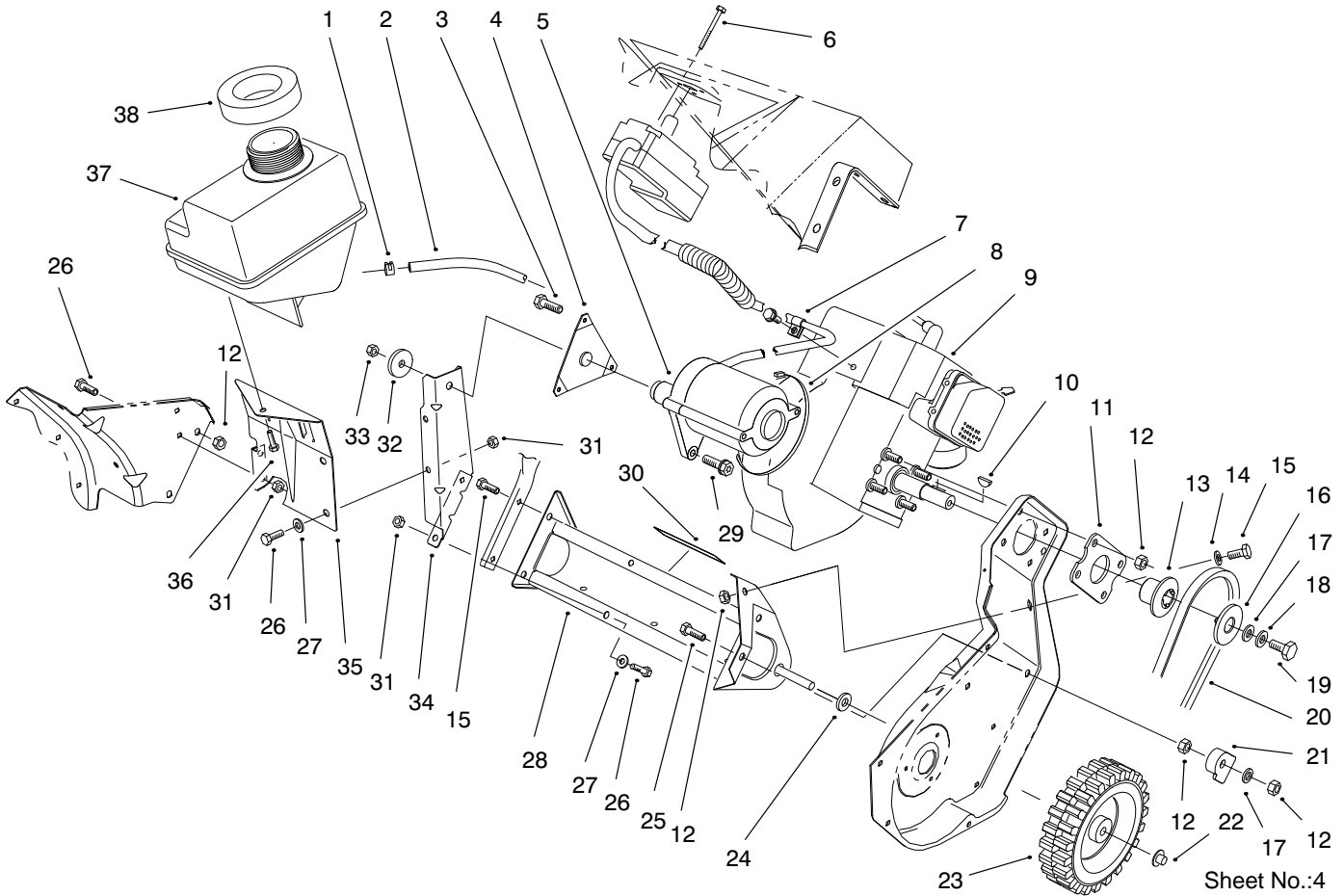


Sheet No.:3

## Housing & Side Plate Assembly

Ref. No.	Part No.	Qty.	Description
1	55-8700	1	Housing
2	32115-14	1	"u" Nut
3	3296-42	21	Nut-Lock
4	55-9430	1	Bracket
5	321-4	10	Screw-HH
6	3256-22	5	Washer-Flat
7	57-3830	2	Tube
8	71-5030	1	Cover-Drive
9	71-5350	2	Screw-Thrd Forming
10	71-5150-03	1	Guard-Edge
11	36-3860	1	Screw
12	32105-15	7	Screw-HH
13	71-4911-03	1	Sideplate-Left
14	71-5470	1	Spring-Brake
15	3256-55	2	Washer-Flat
16	3296-39	1	Nut-Lock
17	71-5160	1	Idler-Brake Arm
18	71-5260	1	Pulley-Idler
19	323-44	1	Screw-HH
20	80-4620	1	Spacer
21	321-30	1	Screw - HH
22	3290-456	1	Washer-Lock
23	71-5070	1	Hub-Mounting
24	71-5410	1	Pulley-Rotor
25	12-3270	3	Screw-HH
26	32105-8	3	Screw

Ref. No.	Part No.	Qty.	Description
27	38-7820	2	Bearing-Ball
28	52-7280	2	Washer-Thrust
29	38-8620	1	Retainer-Bearing
30	71-5390	1	Scraper
31	71-4930-03	1	Housing-Lower
32	32128-10	3	Nut-Lock HHH
33	3229-11	3	Bolt-CARR
34	52-9110	1	Bearing
35	52-7270	1	Washer-Rubber
36	3256-24	1	Washer-Flat
37	3234-25	1	Bolt-Flange
38	71-4920-03	1	Sideplate-RH
39	52-7290-03	1	Retainer-Bearing
40	321-39	1	Screw-HH
41	71-5310-03	1	Bracket-Support
42	71-5270	1	Cover-Bracket
43	3256-67	2	Washer-Flat
44	3296-2	3	Nut-Lock
45	321-6	1	Screw-HH

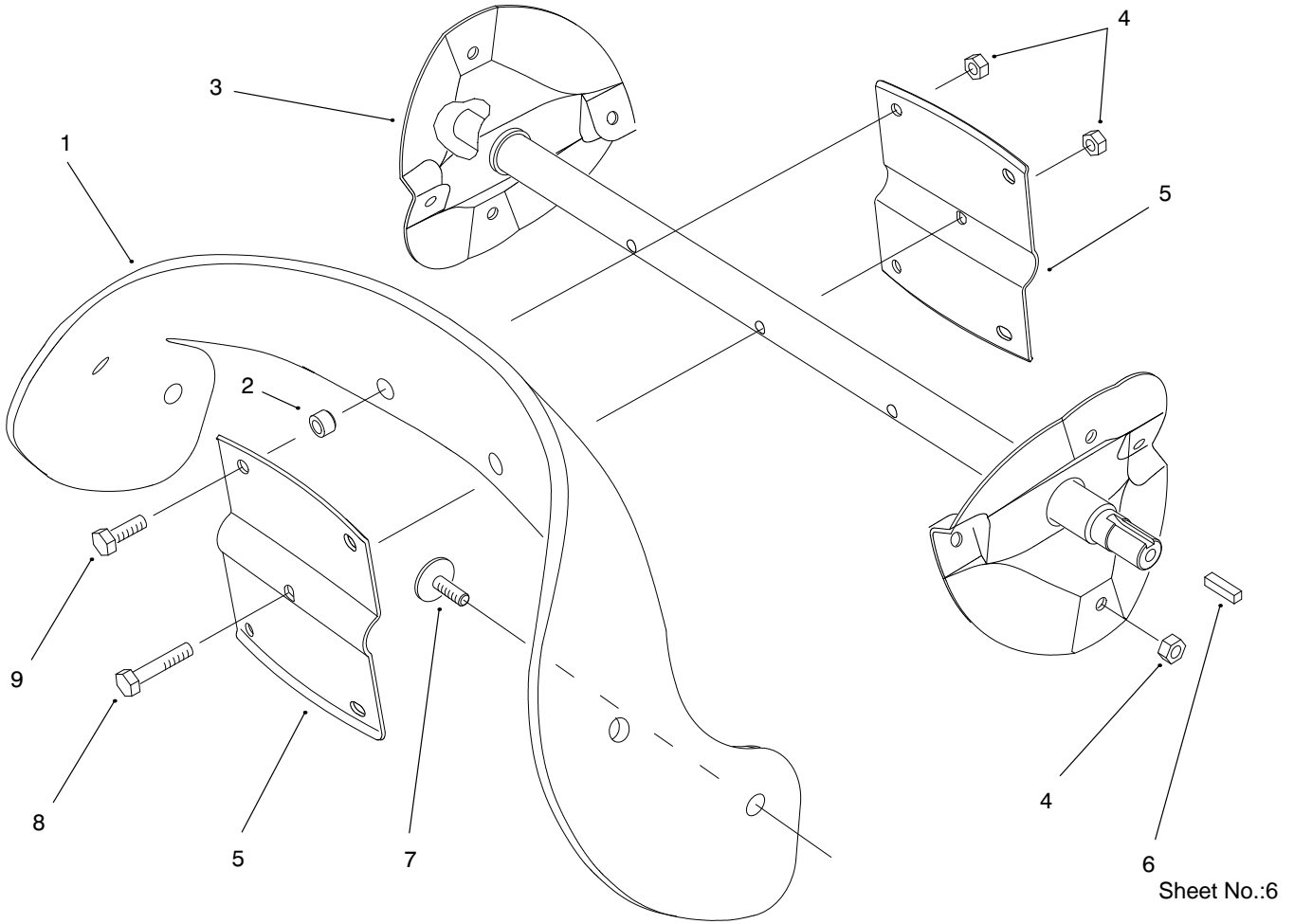


## Engine & Gas Tank Assembly

Ref. No.	Part No.	Qty.	Description
1	2412-98	2	Clamp-Hose
2	49-2482	1	Hose-Gas
3	3255-10	A/R	Lockwasher
3	92-6031	A/R	Screw
3	94-2789	3	Screw-TAP
4	92-6012	1	ASM-Bracket & Stud
5	77-0402	1	ASM-Switch Housing (Model 28222)
6	32144-27	3	Screw (Model 28222)
7	2412-91	1	Clamp-Cable (Model 28222)
8	250-7	1	Tie-Cable (Model 28222)
9		1	ASM-Engine
10	3257-3	1	Key-Woodruff
11	71-5290-03	1	Plate-Engine
12	3296-29	8	Nut-Lock
13	71-5050	1	Body-Half Sheave
14	3256-23	1	Washer-Flat
15	322-3	3	Screw-HH
16	71-5060	1	Cap-Half Sheave
17	3256-71	2	Washer-Flat
18	3290-456	1	Washer-Lock
19	3235-6	1	Screw-HH
20	71-5381	1	"v" Belt
21	84-5610	1	Guide-Cable

Ref. No.	Part No.	Qty.	Description
22	3290-320	2	Nut-Push
23	23-3250	2	Wheel
24	71-5440	2	Spacer-Wheel
25	322-5	1	Screw-HH
26	321-4	6	Screw-HH
27	3256-22	4	Washer-Flat
28	71-5200-03	1	Wa-Frame
29	80-0700	2	Screw-HH Torq (Model 28222)
31	3296-42	6	Nut-Lock
32	71-5320	1	Washer-Support
33	3296-16	1	Nut-Lock
34	71-5210-03	1	Support-Engine
35	71-5220-03	1	Bracket-Tank
36	32144-53	1	Screw-Tf Acorn Hd
37	71-5020	1	Tank-Gas
38	55-9310	1	Seal-Tank





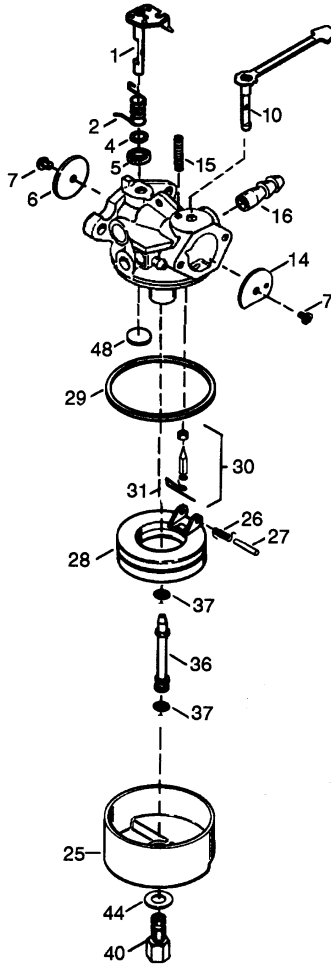
## Rotor Assembly

Ref. No.	Part No.	Qty.	Description
1	88-0781	2	Blade-Rotor
2	55-9370	4	Spacer-Rotor Blade
3	55-9202-03	1	Rotor
4	3296-56	13	Nut-Lock
5	66-6600-03	2	Rotor
6	10-8040	1	Key
7	84-1971	8	Screw
8	321-8	1	Screw-HH
9	321-4	4	Screw-HH

Ref. No.	Part No.	Qty.	Description



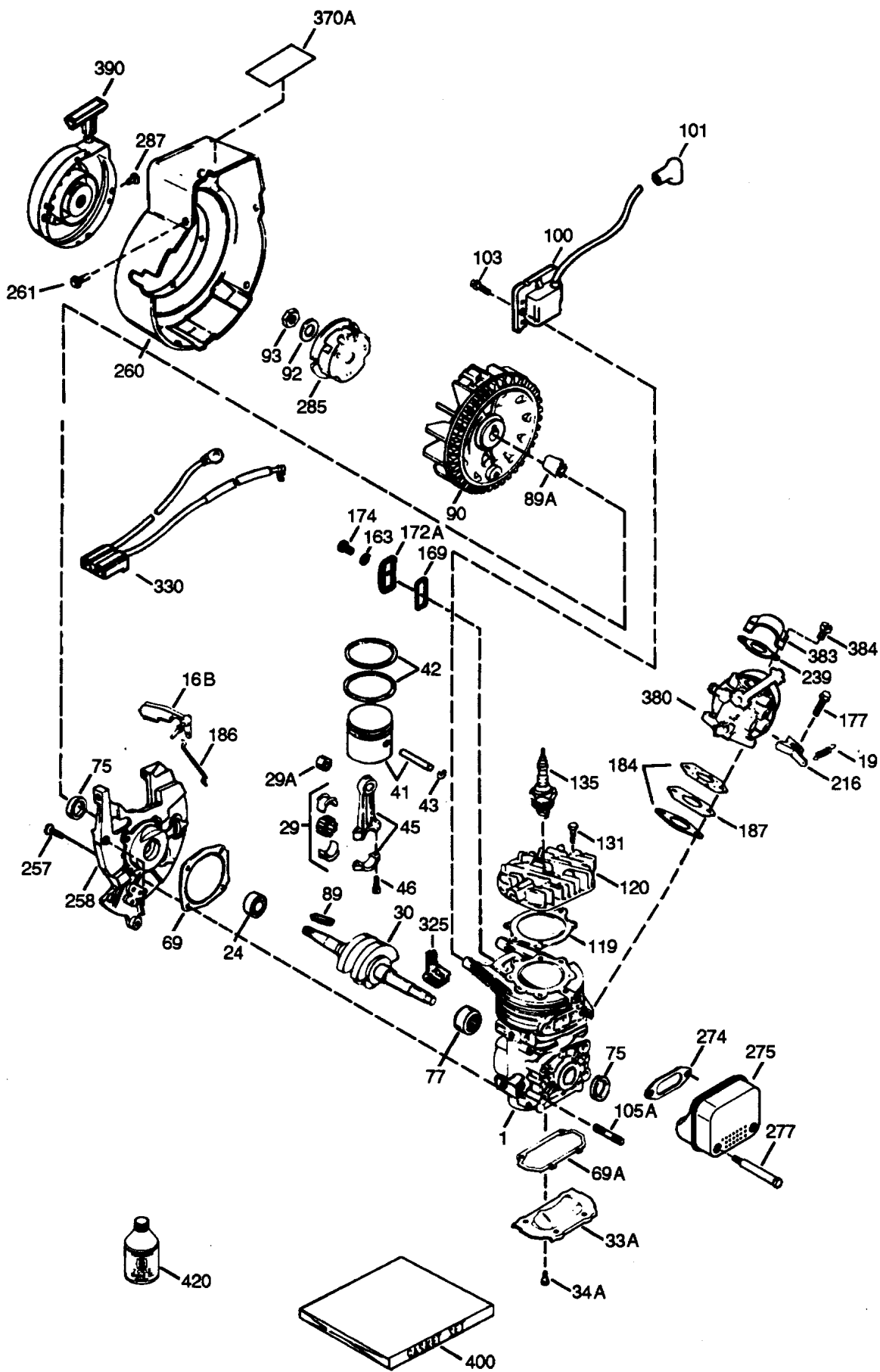




### CARBURETOR NO. 640086

Ref. No.	Part No.	Description	No. Used	Ref. No.	Part No.	Description	No. Used
1	632166A	Throttle Shaft & Lever Asm.	1	27	631024	Float shaft	1
2	632169	Throttle Return Spring	1	28	632019	Float	1
4	631184	Dust Seat Washer	1	29	631028	Float Bowl "O" Ring	1
5	631183	Dust Seat (Throttle)	1	30	631021	Inlet Needle, Seat & Clip (Incl. Ref. #31)	1
6	631621	Throttle Shutter	1	31	631022	Spring Clip	1
7	650506	Shutter Screw	2	36	640080	Main Nozzle Tube	1
10	632553	Choke Shaft & Lever Asm.	1	37	632547	"O" Ring, Main Nozzle Tube	1
14	631815	Choke Shutter	1	40	640087	High Speed Bowl Nut	1
15	630735	Choke Positioning Spring	1	44	27110	Bowl Nut Washer	1
16	632164	Fuel Fitting	1	48	631027	Welch Plug	1
25	631700	Float Bowl	1				
26	632386	Float Dampening Spring	1				

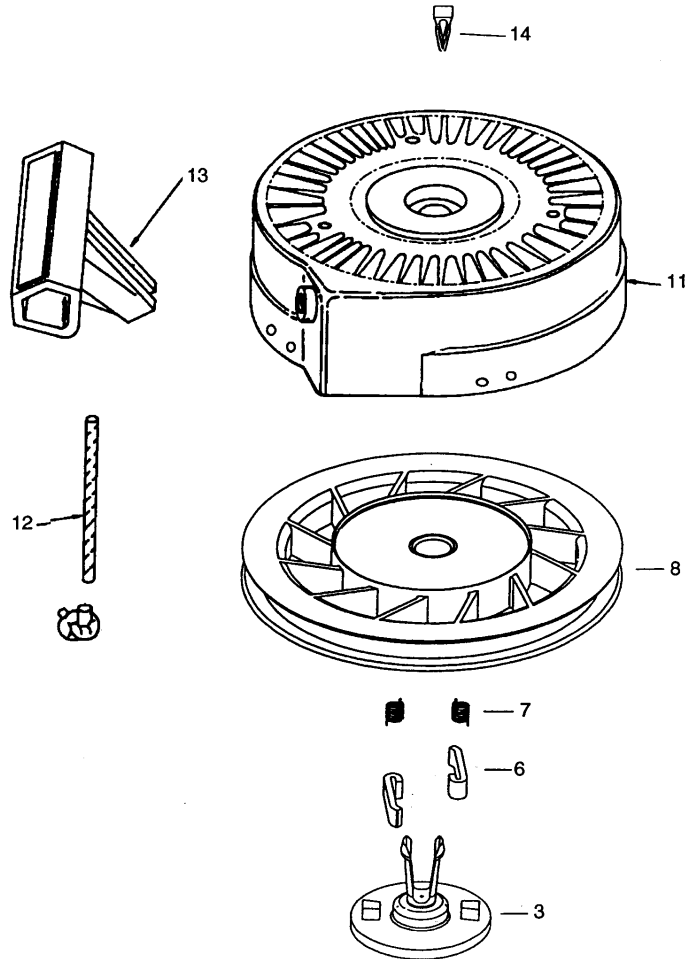
# ENGINE TECUMSEH MODEL NO. HSK600-1681T



**ENGINE TECUMSEH MODEL NO. HSK600-1681T**

Ref. No.	Part No.	Description	No. Used	Ref. No.	Part No.	Description	No. Used
1		Cylinder (Order Short Block if Replacement is needed)	1	135	611049	Resistor Spark Plug	1
16B	490291A	Air Vane	1	163	650838	Washer	1
19	570707	Extension Spring	1	*169	510325A	Cover Plate Gasket	1
24	530110	Ball Bearing	1	172A	570708	Compression Release Cover	1
29	530150	Needle Bearing & Liner Set (37 Needles)	1	174	650579	Screw, Torx T-25	1
29A	530104A	Cartridge Bearing	1	177	650959	Screw	2
30	290602	Crankshaft	1	*184	510326A	Carburetor Gasket	2
33A	570644	Cover Plate	1	186	490322	Governor Link	1
34A	650579	Screw, Torx T-25	4	187	570438A	Spacer	1
41	310283A	Piston & Pin Assembly	1	216	570645	R.P.M. Adjusting Lever	1
42	310190	Ring Set	2	239	35815	Air Cleaner Gasket	1
43	310167	Piston Pin Retaining Ring	2	257	650911	Screw, Torx T-30	4
45	310235B	Connecting Rod Assembly (Incl. Ref. #29, 29A, & 46)	1	258	350422	Blower Housing Base (Incl. Ref. #27)	1
46	650633	Connecting Rod Bolt	4	260	350437	Blower Housing	1
*69	510292A	Cylinder Cover Gasket	1	261	650737	Screw	4
*69A	510323A	Cover Plate Gasket	1	*274	510346A	Exhaust Gasket	1
75	510319	Oil Seal	2	275	390330	Muffler (Incl. Ref. #274 & 277)	1
77	530105	Cartridge Bearing	1	277	650869	Screw	2
89A	611032	Adapter Sleeve	1	285	590551A	Starter Cup	1
90	611066	Flywheel	1	287	650926	Screw	3
92	650815	Belleville Washer	1	325	29443	Wire Clip	1
93	650390	Flywheel Nutt	1	330	611153	Wire Harness	1
100	34443A	Solid State Ignition (Incl. Ref. #101)	1	370A	36261	Instruction Decal	1
101	610118	Spark Plug Cover	1	380	640086	Carburetor (Incl. Ref. #184)	1
103	651007	Screw, Torx T-15	2	383	570434	Spit Cup	1
105A	650796	Stud	4	384	650431	Screw, Torx T-25	2
*119	510274A	Cylinder Head Gasket	1	390	590743	Rewind Starter	
120	250240B	Cylinder Head	1	400	510324B	Gasket Set	1
131	650477	Screw, Torx T-30	5	420	730227A	2-Cycle Oil (8 oz.)	1

\*Included in Gasket Set No. 510324B



### RECOIL STARTER NO. 590743

Ref. No.	Part No.	Description	No. Used	Ref. No.	Part No.	Description	No. Used
0	590743	Rewind Starter	1	11	590643	Starter Housing Ass'y	1
3	590740	Retainer	1	12	590535	Starter Rope (Length 98" x 9/64" Dia.)	1
6	590616	Starter Dog	2	13	590701	Starter Handle	1
7	590617	Dog Spring	2	14	590741	Locking Tab	1
8	590645A	Pulley & Rewind Spring Ass'y	1				

# Lawn-Boy Part Number Index

Part No.	Page No.	Ref. No.	Qty.	Description
700918	1	11	1	Key-Ignition
10-8040	5	6	1	Key
12-3270	2	25	3	Screw-HH
20-4320	1	5	2	Washer-Rubber
23-3250	3	23	2	Wheel
23-7470	1	17	1	Guide-Rope
36-3860	2	11	1	Screw
38-7820	2	27	2	Bearing-Ball
38-8620	2	29	1	Retainer-Bearing
40-5940	1	9	1	Switch-Key
44-2750	1	16	1	Body-Primer
44-3173	1	18	1	Hose-Primer
46-8092	1	32	2	Screw
49-2482	3	2	1	Hose-Gas
52-7270	2	35	1	Washer-Rubber
52-7280	2	28	2	Washer-Thrust
52-7290-03	2	39	1	Retainer-Bearing
52-9110	2	34	1	Bearing
55-3578	1	6	1	Gas Cap ASM
55-8700	2	1	1	Housing
55-8921-03	1	31	1	Ring-Chute Support
55-8950	1	7	2	Plate-Friction
55-9202-03	5	3	1	Rotor
55-9310	3	38	1	Seal-Tank
55-9322	4	17	1	Cable-Clutch
55-9370	1	27	1	Spacer-Rotor Blade
55-9370	4	6	1	Spacer-Rotor Blade
55-9370	5	2	4	Spacer-Rotor Blade
55-9430	2	4	1	Bracket
56-2680	1	1	1	Deflector
57-3830	2	7	2	Tube
61-4670	6	8	1	Stop-Pinion
61-4680	6	7	1	Ring-Lock
61-4690	6	5	1	Spring-Anti Drift
61-4790	4	20	1	Decal-Warning (Csa) (E) (Model 28222)
61-4810	6	18	1	Boot-Switch
61-4820	6	19	1	Switch
66-6600-03	5	5	2	Rotor
66-6870	4	1	1	Decal-Rotor Drive
66-7460	1	15	1	Bulb-Primer
70-7802	6	1	1	ASM-Motor
70-7810	6	3	1	Housing-Starter
70-7820	6	12	1	Housing-Lower
70-7850	6	2	1	Cover-Gear
70-7890	6	6	1	Cap-Pinion
70-7900	6	11	1	Bushing-Upper
71-4911-03	2	13	1	Sideplate-Left
71-4920-03	2	38	1	Sideplate-RH
71-4930-03	2	31	1	Housing-Lower
71-4940	1	8	1	Handle-Chute
71-4950	1	30	1	Ring-Chute
71-4980-03	1	29	1	Retainer-Chute Ring
71-4990-03	1	36	1	Retainer-Chute Ring
71-5020	3	37	1	Tank-Gas
71-5030	2	8	1	Cover-Drive
71-5050	3	13	1	Body-Half Sheave
71-5060	3	16	1	Cap-Half Sheave
71-5070	2	23	1	Hub-Mounting
71-5090-03	4	18	1	Handle-Upper
71-5120-03	4	19	1	Bail
71-5150-03	2	10	1	Guard-Edge
71-5160	2	17	1	ilder-Brake Arm

\*Not Illustrated

# Lawn-Boy Part Number Index (cont.)

Part No.	Page No.	Ref. No.	Qty.	Description
71-5200-03	3	28	1	Wa-Frame
71-5210-03	3	34	1	Support-Engine
71-5220-03	3	35	1	Bracket-Tank
71-5240-03	1	10	1	Panel-Control (Model 28220)
71-5260	2	18	1	Pulley-Idler
71-5270	2	42	1	Cover-Bracket
71-5290-03	3	11	1	Plate-Engine
71-5310-03	2	41	1	Bracket-Support
71-5320	3	32	1	Washer-Support
71-5330	4	4	1	Adjuster-Cable
71-5340-03	1	22	1	Guard-Muffler
71-5350	2	9	2	Screw-Thrd Forming
71-5370-03	4	16	1	Tube-Handle
71-5381	3	20	1	"v" Belt
71-5390	2	30	1	Scraper
71-5410	2	24	1	Pulley-Rotor
71-5440	3	24	2	Spacer-Wheel
71-5470	2	14	1	Spring-Brake
71-5480	4	3	1	Spring-Clutch
71-5530	4	2	1	Cover-Spring
71-5600	4	15	1	Bracket-Shroud
77-0402	3	5	1	ASM-Switch Housing (Model 28222)
80-0700	3	29	2	Screw-HH Tork (Model 28222)
80-4600	1	25	1	Spring-Detent
80-4610	1	28	1	Arm-Detent
80-4620	2	20	1	Spacer
84-1971	5	7	8	Screw
84-5610	3	21	1	Guide-Cable
88-0781	5	1	2	Blade-Rotor
92-4853	1	14	1	Handle-Starter
92-6003	6	9	1	ASM-Shaft & Gear
92-6012	3	4	1	ASM-Bracket & Stud
92-6031	3	3	A/R	Screw
94-2789	3	3	3	Screw-TAP
94-2790	1	3	1	Chute ASM
94-2900	1	4	1	Decal-Danger
94-8888	1	38	1	Shroud-Upper
94-8889	4	13	1	Shroud-Lower
94-9878	1	19	1	Decal-320 (Model 28220)
94-9879	1	19	1	Decal-320e (Model 28222)
94-9933	6	17	1	Plug-Power
95-1904	1	21	1	Decal-Hot
95-2665	1	13	1	Decal-Control Panel (Model 28220)
95-2666	1	13	1	Decal-Control Panel (Model 28222)
99-2253	6	20	1	Base-Switch Hsg
99-2254	6	21	1	Cap-Switch Hsg
2412-91	3	7	1	Clamp-Cable (Model 28222)
2412-98	3	1	2	Clamp-Hose
250-7	6	22	1	Tie-Cable
250-7	3	8	1	Tie-Cable (Model 28222)
321-4	1	37	4	Screw-HH
321-4	2	5	10	Screw-HH
321-4	3	26	6	Screw-HH
321-4	5	9	4	Screw-HH
321-6	2	45	1	Screw-HH
321-8	5	8	1	Screw-HH
321-30	2	21	1	Screw - HH
321-39	2	40	1	Screw-HH
322-3	3	15	3	Screw-HH
322-3	4	12	2	Screw-HH
322-5	3	25	1	Screw-HH
323-44	2	19	1	Screw-HH

\*Not Illustrated

# Lawn-Boy Part Number Index (cont.)

Part No.	Page No.	Ref. No.	Qty.	Description
3229-11	2	33	3	Bolt-CARR
3230-16	1	35	3	Screw-CARR
3230-22	1	2	2	Screw-CARR
3234-25	2	37	1	Bolt-Flange
3235-6	3	19	1	Screw-HH
3250-32	1	39	2	Screw-PPH
3255-10	3	3	A/R	Lockwasher
3256-22	1	26	7	Washer-Flat
3256-22	2	6	5	Washer-Flat
3256-22	3	27	4	Washer-Flat
3256-23	3	14	1	Washer-Flat
3256-24	2	36	1	Washer-Flat
3256-55	2	15	2	Washer-Flat
3256-61	1	23	4	Washer-Flat
3256-67	2	43	2	Washer-Flat
3256-68	1	44	2	Washer-Flat
3256-70	1	40	3	Washer-Flt
3256-71	3	17	2	Washer-Flat
3257-3	3	10	1	Key-Woodruff
3290-225	4	11	4	Nut-Speed
3290-320	3	22	2	Nut-Push
3290-359	1	20	4	Screw-Rd
3290-456	1	43	2	Washer-Lock
3290-456	2	22	1	Washer-Lock
3290-456	3	18	1	Washer-Lock
3290-486	4	9	5	Nut-Push
3296-2	1	24	4	Nut-Lock
3296-2	2	44	3	Nut-Lock
3296-2	6	15	2	Nut-Lock
3296-16	3	33	1	Nut-Lock
3296-29	1	42	2	Nut-Lock
3296-29	3	12	8	Nut-Lock
3296-29	4	14	2	Nut-Lock
3296-39	2	16	1	Nut-Lock
3296-42	1	34	5	Nut-Lock
3296-42	2	3	21	Nut-Lock
3296-42	3	31	6	Nut-Lock
3296-56	1	33	1	Nut-Lock
3296-56	5	4	13	Nut-Lock
3299-1	4	7	1	Eyebolt
32105-8	2	26	3	Screw
32105-11	4	8	3	Screw-Slot Hex
32105-15	2	12	7	Screw-HH
32115-14	2	2	1	"u" Nut
32128-10	2	32	3	Nut-Lock HHF
32144-27	3	6	3	Screw (Model 28222)
32144-53	1	12	2	Screw-Tf Acorn Hd
32144-53	3	36	1	Screw-Tf Acorn Hd
32144-53	4	10	3	Screw-Tf Acorn Hd
32144-101	6	16	2	Screw-PPH
32149-1	1	41	3	Nut

\*Not Illustrated