



**21in Mulching/Rear Bagging
Lawn Mower**

Model No. 10736—Serial No. 400000000 and Up

Parts Catalog



Ordering Replacement Parts

To order replacement parts, please supply the part number, the quantity, and the description of each part desired.

Understanding Reference Numbers

Each identified part in an illustration has a reference number. The reference number for a part also appears in the parts list, along with other information about the part.

This catalog uses two special reference number formats, one to indicate parts in a service assembly and another to indicate the quantity of a given part in an illustration.

Service Assembly Reference Numbers

Parts in service assemblies have reference numbers in the form a:b. The a represents the reference number of the entire service assembly and the b represents a sequential number unique to each part within the service assembly.

For example, a wheel assembly might be identified by reference number 6, the tire by 6:1, the valve by 6:2, and the wheel by 6:3. When you order the assembly identified by reference number 6, you receive all parts identified by reference numbers 6:1, 6:2, and 6:3. However, you may also order any part individually. Reference numbers of this type appear in illustration and in parts lists.

Reference Numbers Indicating Quantity

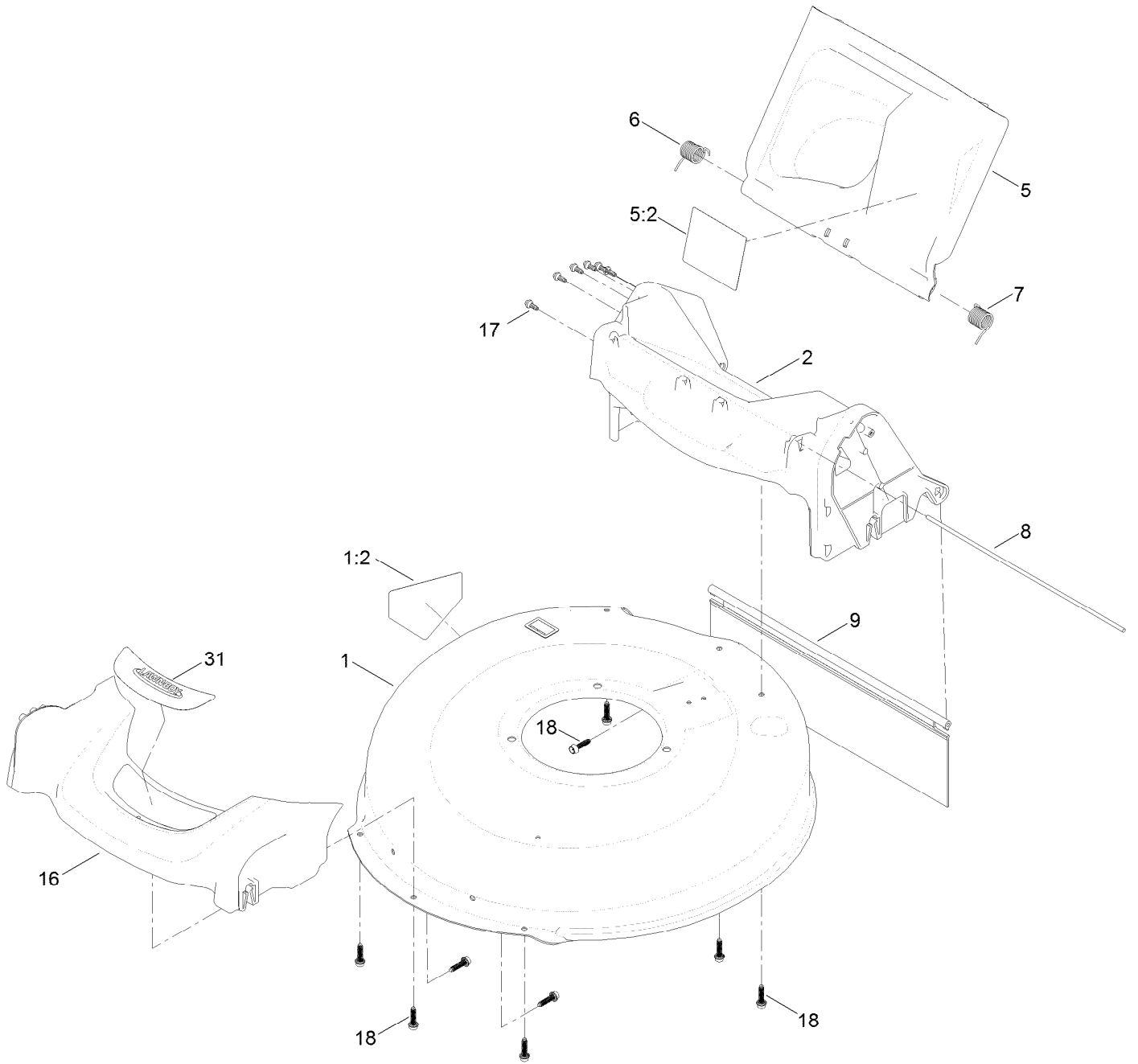
In an illustration, if a reference number indicates more than one part, the reference number has the form nX y. The n represents the quantity of the part, the X is the multiplication symbol, and the y represents the reference number.

For example, in an illustration, the reference number 2X 37 means that two of the parts identified by reference number 37 are indicated.

Contents

| | |
|-----------------------------------|----|
| Frame Assembly | 4 |
| Rear Bag Assembly | 6 |
| Engine and Blade Assembly | 8 |
| Front Wheel Assembly | 10 |
| Rear Wheel Assembly | 12 |
| Handle Assembly | 14 |
| Attachments and Accessories | 16 |

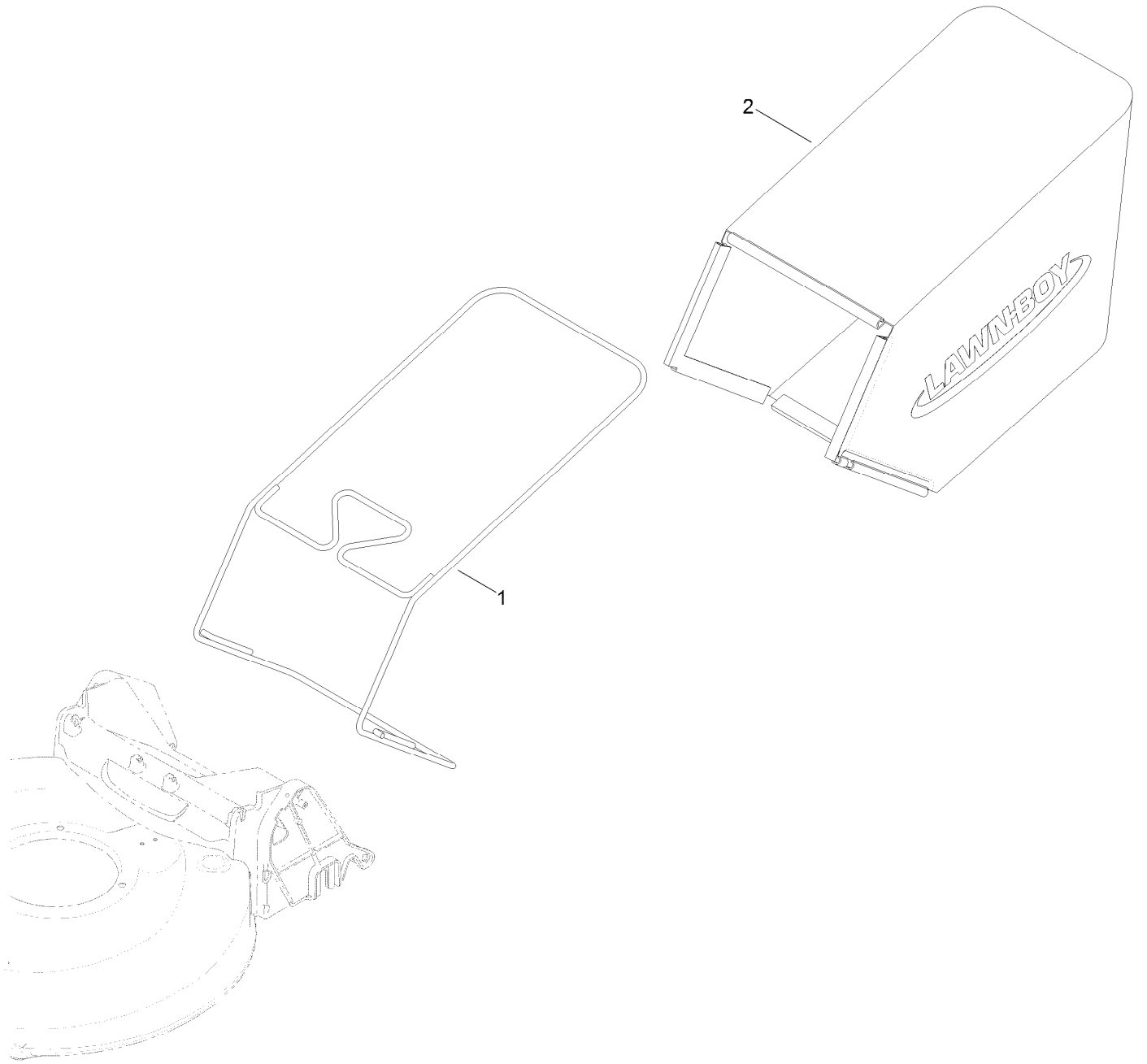
Frame Assembly



Frame Assembly (continued)

| <i>Ref.</i> | <i>Part Number</i> | <i>Qty.</i> | <i>Description</i> | <i>Ref.</i> | <i>Part Number</i> | <i>Qty.</i> | <i>Description</i> |
|-------------|--------------------|-------------|--------------------|-------------|--------------------|-------------|------------------------|
| 1 | 133-1938 | 1 | Housing ASM | 8 | 127-0698 | 1 | Rod-Door |
| 1:2 | 94-8072 | 1 | Decal-Danger | 9 | 127-0724 | 1 | Shield-Trailing |
| 2 | 130-6657 | 1 | Chute ASM | 16 | 127-0677 | 1 | Bumper |
| 5 | 130-2368 | 1 | Rear Deflector ASM | 17 | 130-2355 | 6 | Stud |
| 5:2 | 117-4143 | 1 | Decal-Warning | 18 | 130-6658 | 9 | Screw-Flange, Serrated |
| 6 | 127-6807 | 1 | Spring-Torsion | 31 | 127-6829 | 1 | Decal-Deck |
| 7 | 127-6808 | 1 | Spring-Torsion | | | | |

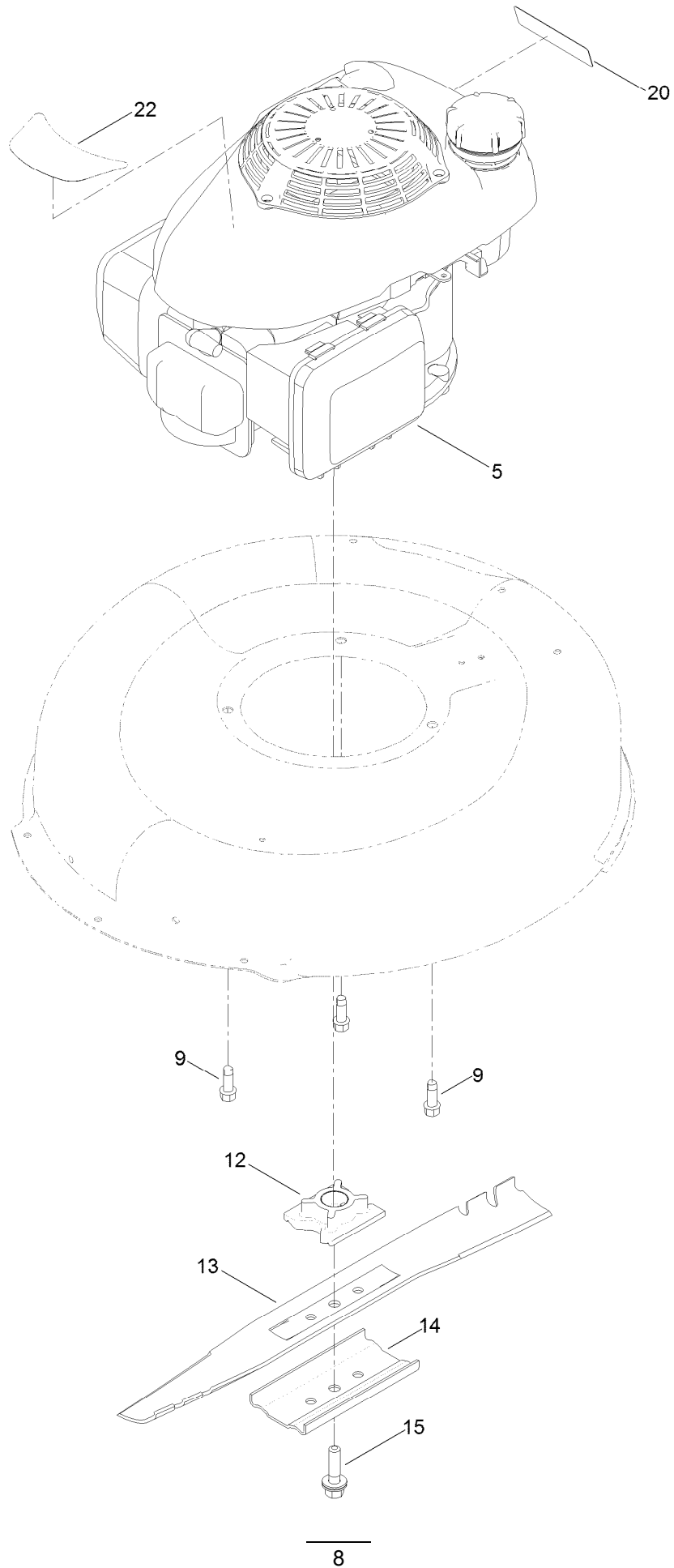
Rear Bag Assembly



Rear Bag Assembly (continued)

| <i>Ref.</i> | <i>Part Number</i> | <i>Qty.</i> | <i>Description</i> |
|-------------|--------------------|-------------|--------------------|
| 1 | 131-9697-03 | 1 | Frame-Bag |
| 2 | 127-0701 | 1 | Grass Bag ASM |

Engine and Blade Assembly



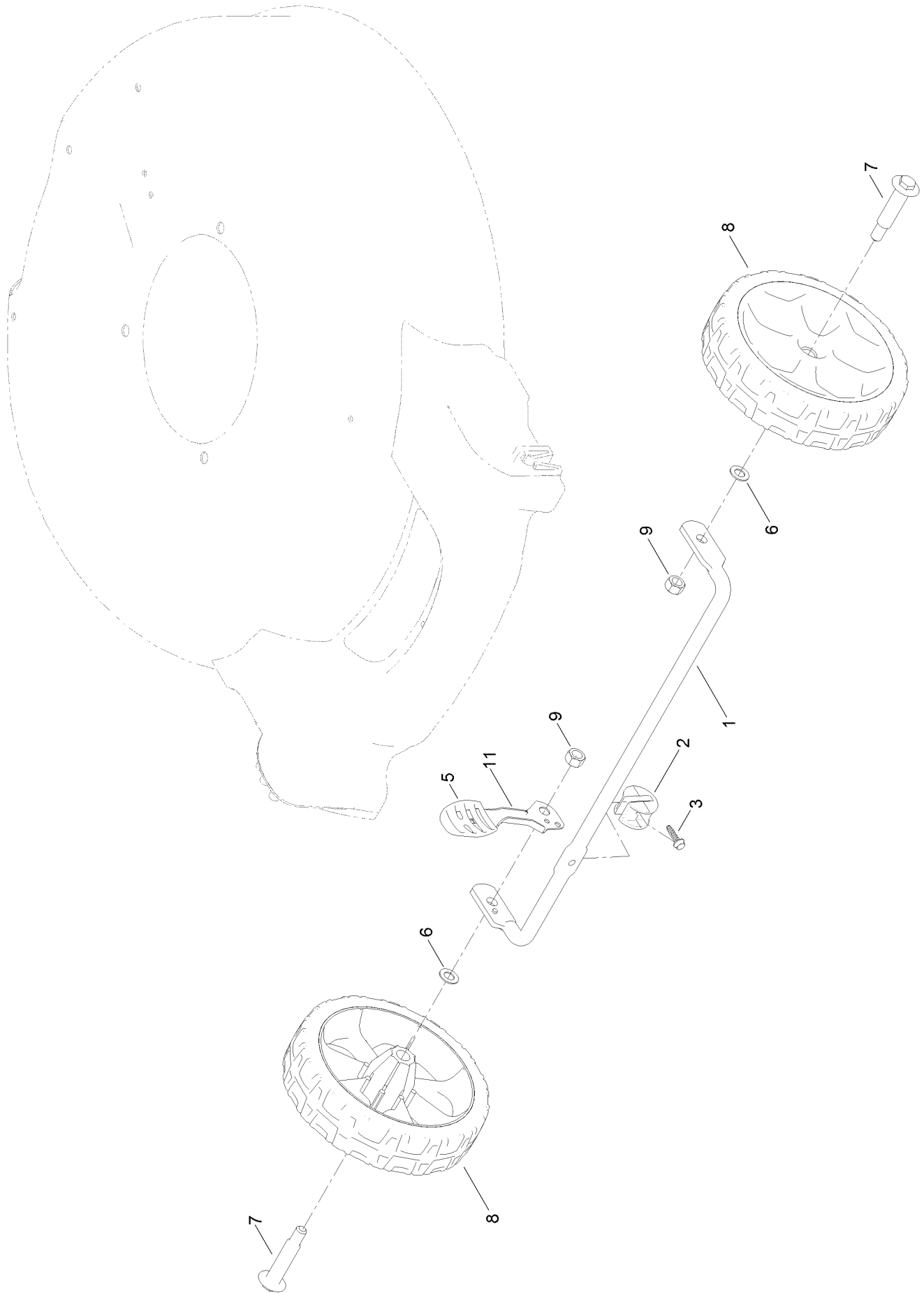
Engine and Blade Assembly (continued)

| <i>Ref.</i> | <i>Part Number</i> | <i>Qty.</i> | <i>Description</i> | <i>Ref.</i> | <i>Part Number</i> | <i>Qty.</i> | <i>Description</i> |
|-------------|--------------------|-------------|-----------------------------------|-------------|--------------------|-------------|-----------------------|
| 5 | | 1 | Engine-Honda, Gcv160La0 S3B ●■ | 14 | 108-3766-03 | 1 | Support-Blade |
| 9 | 95-1726 | 3 | Screw-Taptite | 15 | 117-5270 | 1 | Bolt-Blade |
| 12 | 130-6674 | 1 | Retainer-Blade | 20 | 117-2718 | 1 | Decal-Arrester, Spark |
| 13 | 108-0954-03 | 1 | Blade-21 Inch | 22 | 131-0855 | 1 | Decal-Shroud, Honda |

● Not serviced separately

■ Obtain parts from www.honda-engines.com

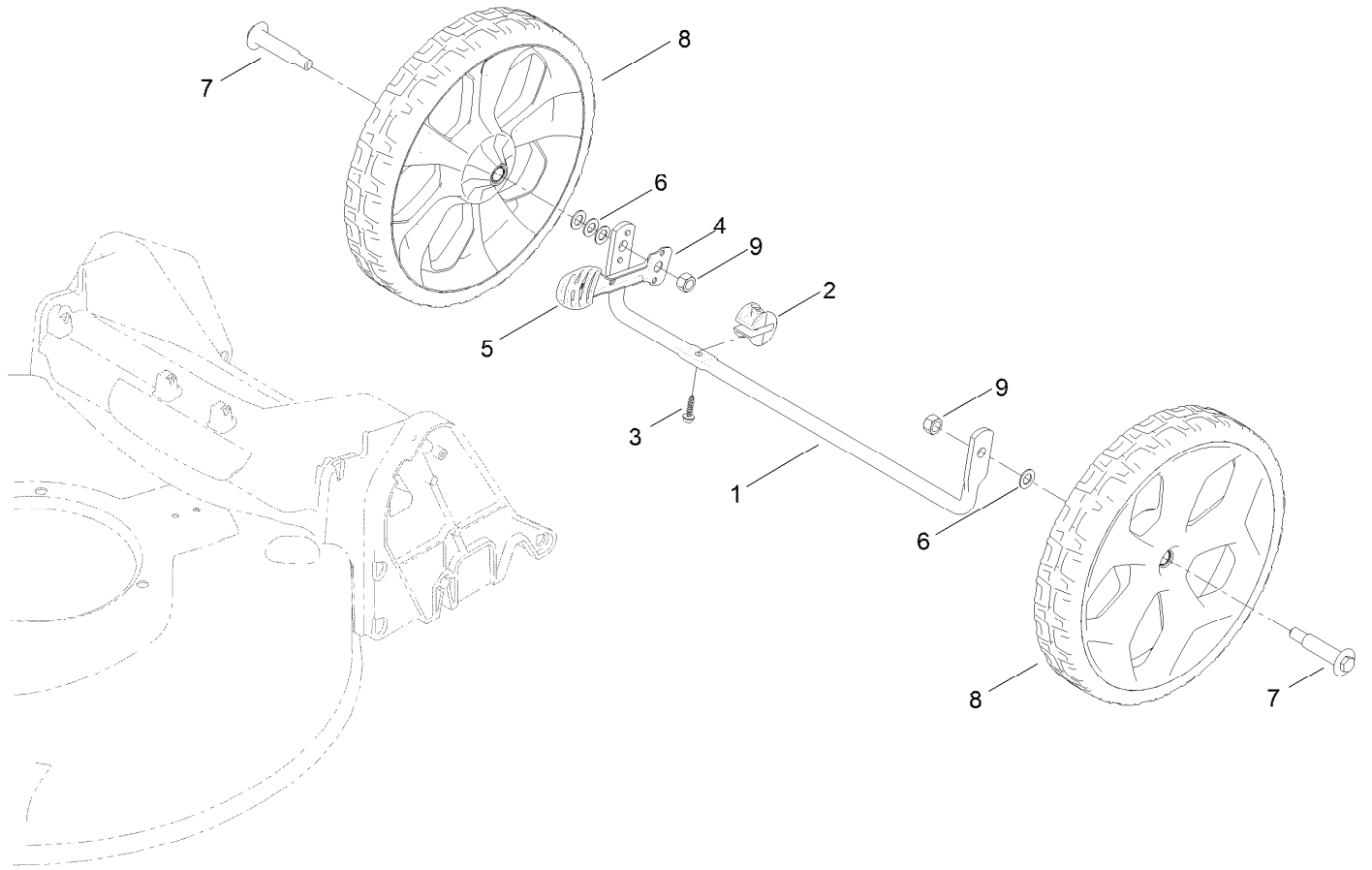
Front Wheel Assembly



Front Wheel Assembly (continued)

| <i>Ref.</i> | <i>Part Number</i> | <i>Qty.</i> | <i>Description</i> | <i>Ref.</i> | <i>Part Number</i> | <i>Qty.</i> | <i>Description</i> |
|-------------|--------------------|-------------|--------------------|-------------|--------------------|-------------|--------------------|
| 1 | 127-0668-03 | 1 | Axle-Front | 7 | 92-1057 | 2 | Bolt-Shoulder |
| 2 | 127-6800 | 1 | Stop-Axle | 8 | 127-0683 | 2 | 7 Inch Wheel ASM |
| 3 | 127-6831 | 1 | Screw-HWH | 9 | 125-5069 | 2 | Nut-Hex |
| 5 | 105-3042 | 1 | Knob-Lever, HOC | 11 | 133-8154 | 1 | Arm-Spring |
| 6 | 40-1940 | 2 | Washer | | | | |

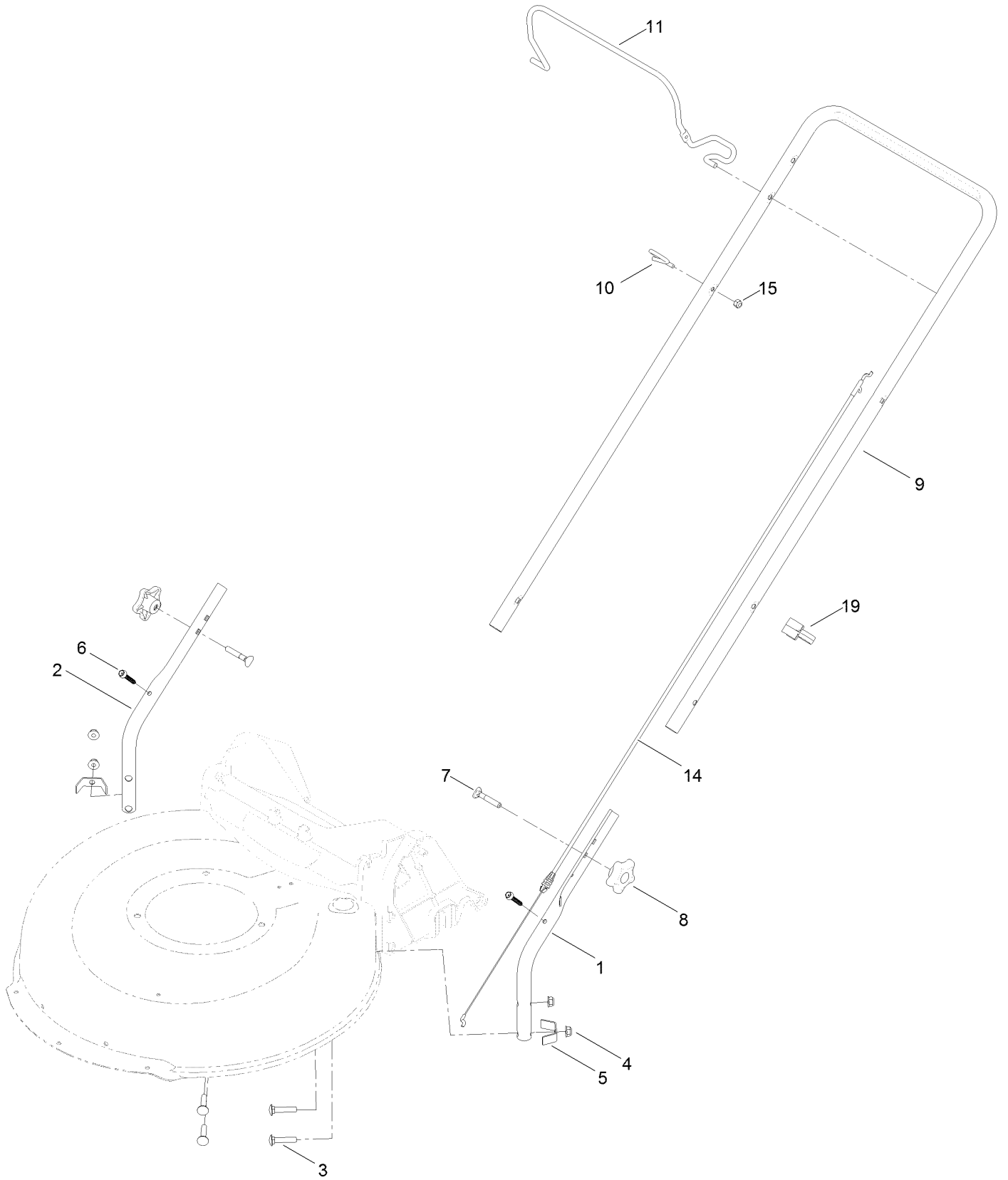
Rear Wheel Assembly



Rear Wheel Assembly (continued)

| <i>Ref.</i> | <i>Part Number</i> | <i>Qty.</i> | <i>Description</i> | <i>Ref.</i> | <i>Part Number</i> | <i>Qty.</i> | <i>Description</i> |
|-------------|--------------------|-------------|--------------------|-------------|--------------------|-------------|--------------------|
| 1 | 127-0669-03 | 1 | Axle-Rear | 6 | 40-1940 | 4 | Washer |
| 2 | 127-6800 | 1 | Stop-Axle | 7 | 92-1057 | 2 | Bolt-Shoulder |
| 3 | 127-6831 | 1 | Screw-HWH | 8 | 127-0686 | 2 | 11 Inch Wheel ASM |
| 4 | 127-0697 | 1 | Arm-Spring, Rear | 9 | 125-5069 | 2 | Nut-Hex |
| 5 | 105-3042 | 1 | Knob-Lever, HOC | | | | |

Handle Assembly



Handle Assembly (continued)

| <i>Ref.</i> | <i>Part Number</i> | <i>Qty.</i> | <i>Description</i> | <i>Ref.</i> | <i>Part Number</i> | <i>Qty.</i> | <i>Description</i> |
|-------------|--------------------|-------------|------------------------|-------------|--------------------|-------------|---------------------|
| 1 | 136-5923-05 | 1 | Handle-Lower, LH | 8 | 117-5976 | 2 | Knob-Handle |
| 2 | 136-5924-05 | 1 | Handle-Lower, RH | 9 | 127-0659-05 | 1 | Handle-Upper |
| 3 | 130-6654 | 4 | Bolt-CARR | 10 | 86-9671 | 1 | Guide-Rope |
| 4 | 130-6655 | 4 | Nut-Flange, NI | 11 | 127-0718-03 | 1 | Bail-Brake |
| 5 | 127-0699 | 2 | Bracket-Chute | 14 | 127-0713 | 1 | Cable-Brake, Engine |
| 6 | 130-6659 | 2 | Screw-Flange, Serrated | 15 | 3296-73 | 1 | Nut-Lock, NI |
| 7 | 92-2260 | 2 | Screw-Handle | 19 | 114-7988 | 1 | Guide-Cable |

Attachments and Accessories

For 10736 21in Mulching/Rear Bagging Lawn Mower

| Product Name | Model/Part |
|---|-------------------|
| Lawn-Boy Paint | 110-8800 |
| Lawn-Boy Premium Fuel Treatment .5 Oz | 130-6653 |
| Lawn Striping Kit with 22in Roller..... | 20601 |
| Lawn-Boy WPM Cover | 215326 |
| 21in Lawn-Boy Replacement Bag..... | 89500 |
| 21in Lawn-Boy Bag and Frame Kit | 89501 |
| Side-Discharge Deflector..... | 89502 |
| Lawn-Boy Oil | 89885 |
| 21in Blade..... | 89914P |

Notes:

Notes:

Notes:

